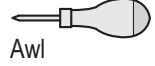
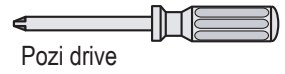
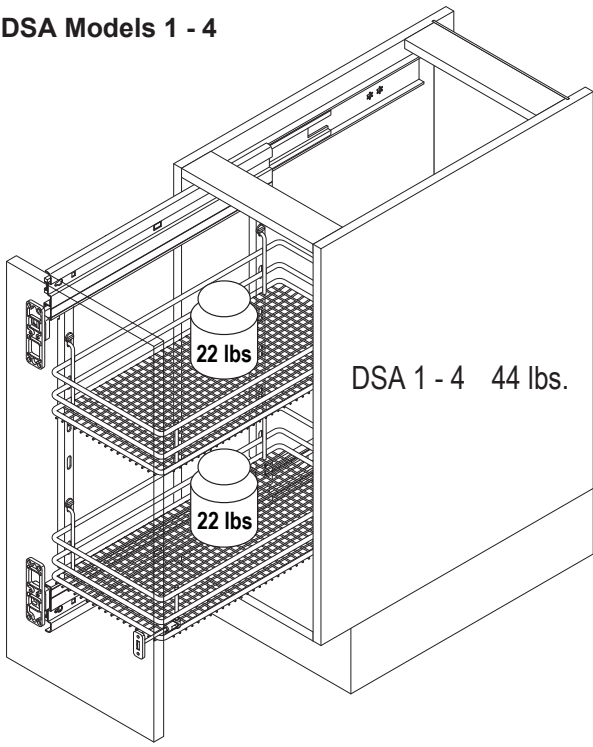




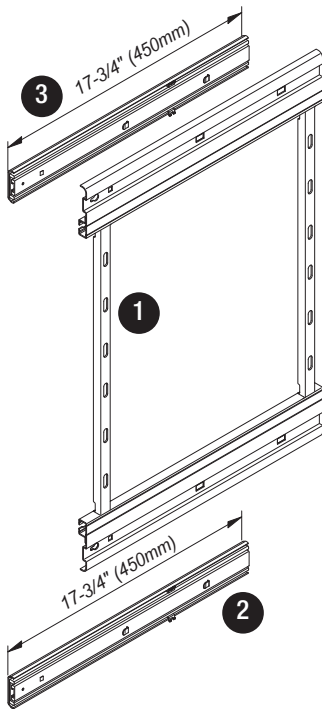
scan here for
installation video!

DSA

DSA Models 1 - 4

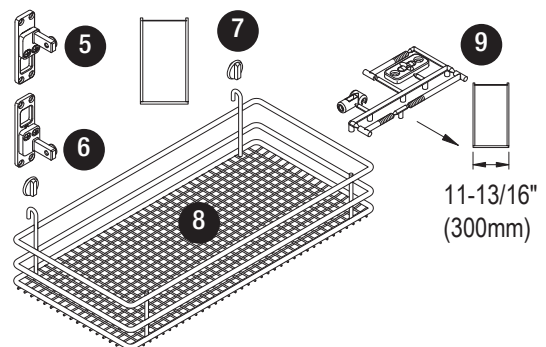
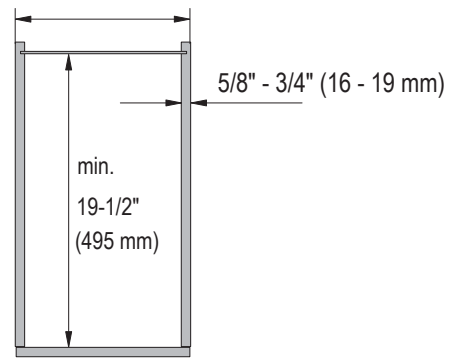


DSA Models 1 - 4



DSA W90

5-15/16" / 7-7/8" / 11-13/16" (150 / 200 / 300 mm)

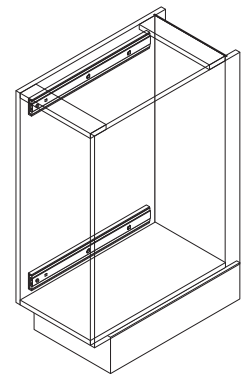
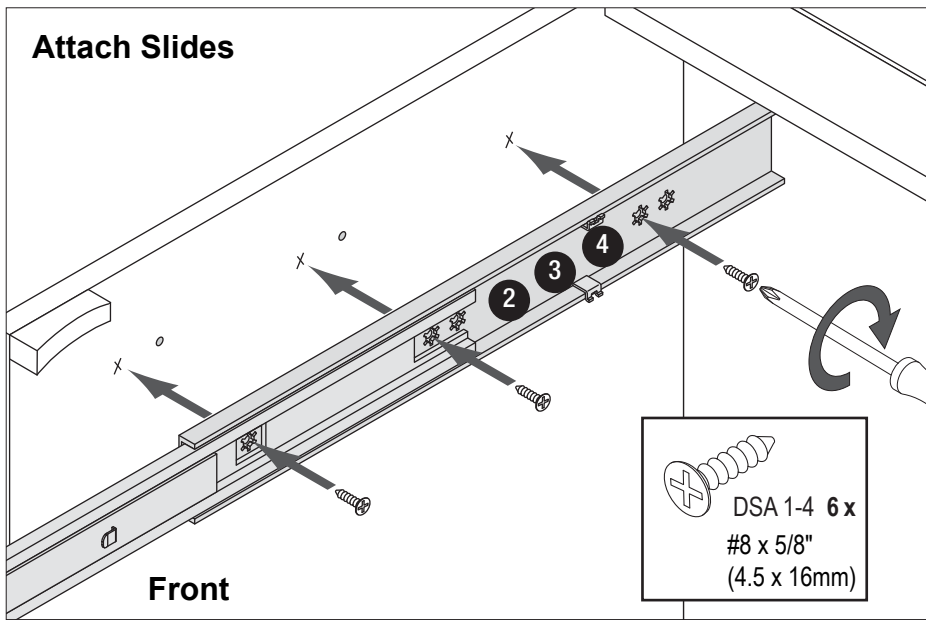


1

Attach Slides



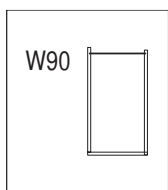
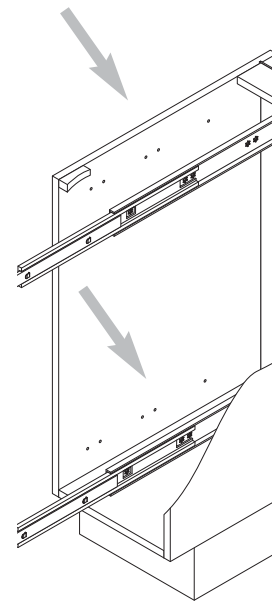
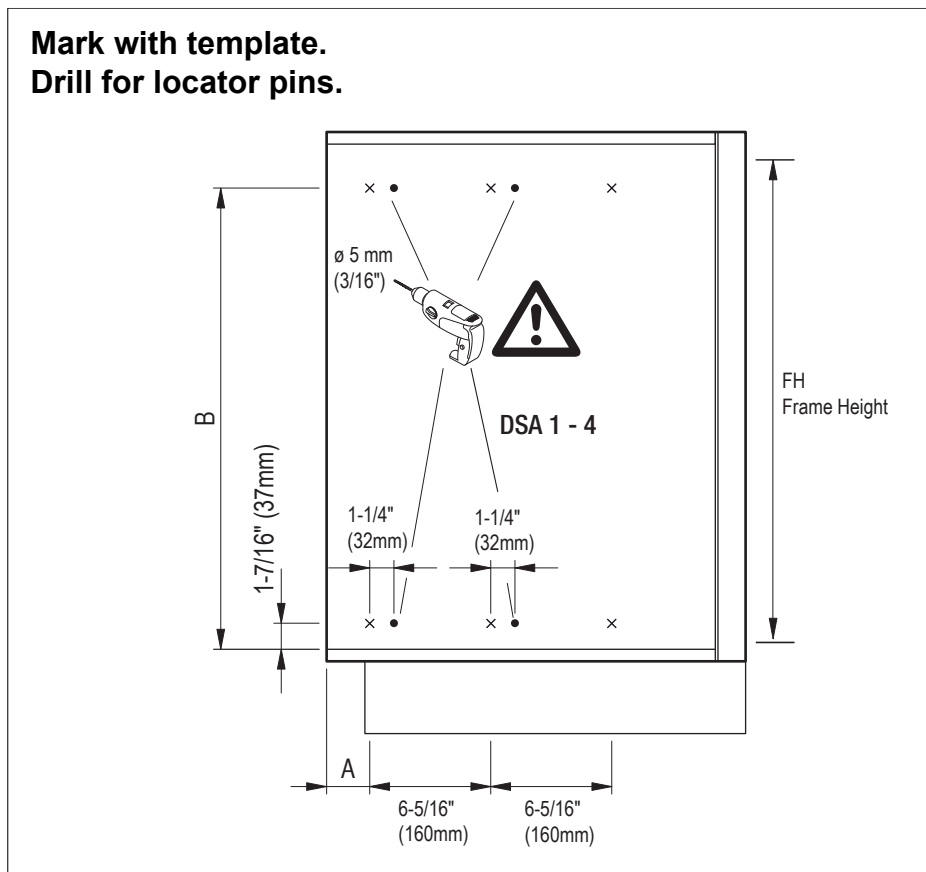
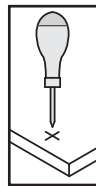
A



Front

A

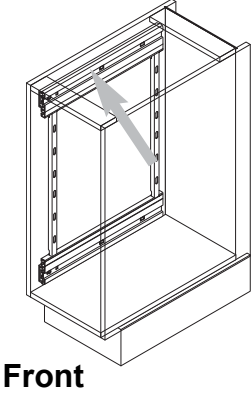
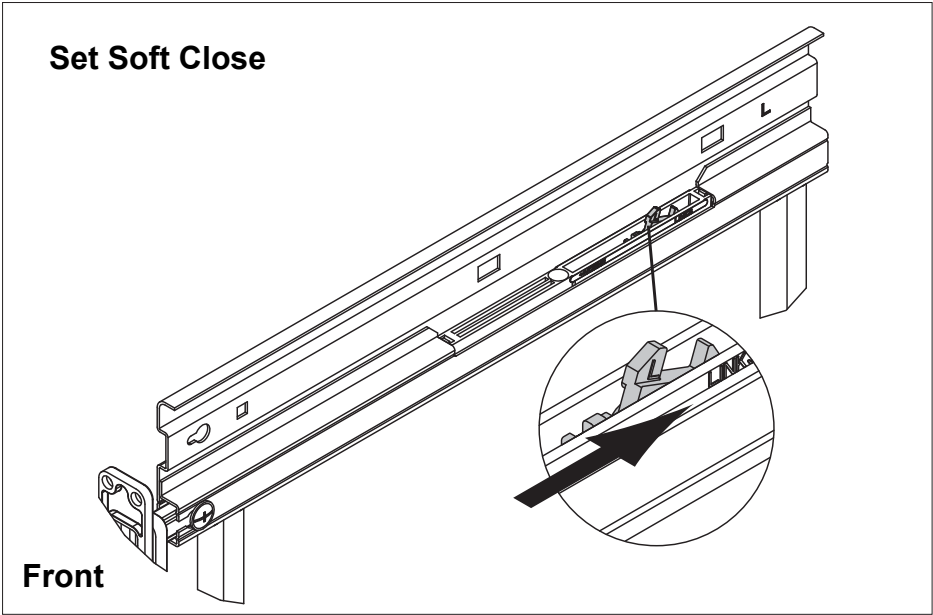
Mark with template. Drill for locator pins.



Item Code	DSA 1-4 W90	A	B	Frame Height
9000 2999	DSA 1	2-1/4" (57mm)	17-13/16" (453mm)	18-3/4" (475mm)
9000 3001	DSA 3	2-1/4" (57mm)	24-1/8" (613mm)	25" (635mm)
9000 3259	DSA 3A	2-1/4" (57mm)	25-3/8" (645mm)	26-1/2" (667mm)
9000 3002	DSA 4	2-1/4" (57mm)	27-15/16" (709mm)	28-3/4" (731mm)
9000 3260	DSA 4A	2-1/4" (57mm)	34-3/16" (869mm)	35-1/8" (891mm)

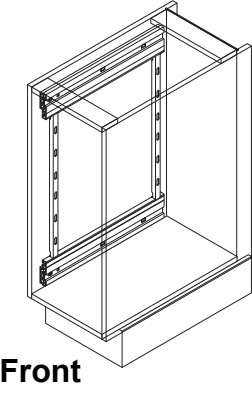
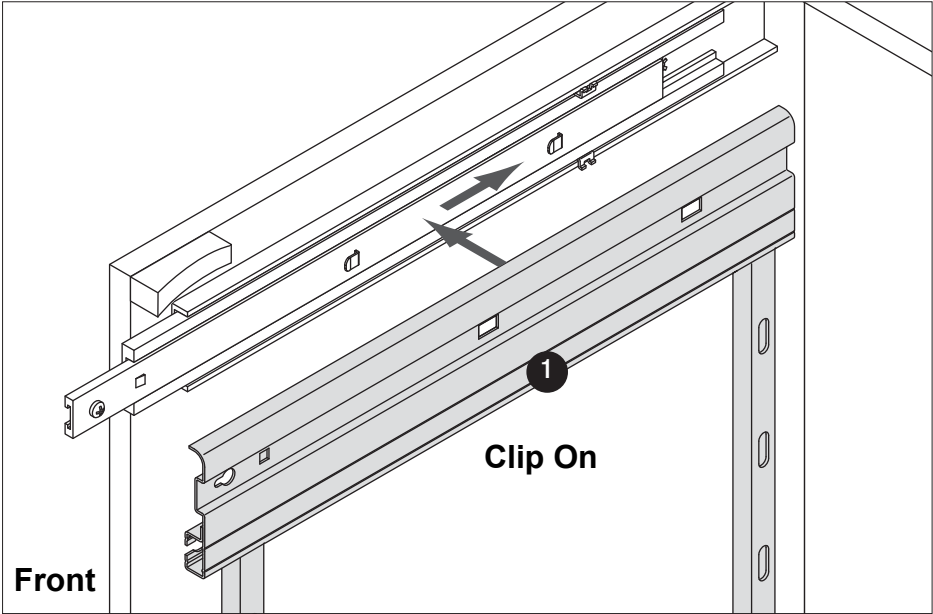
2

Set Soft Close



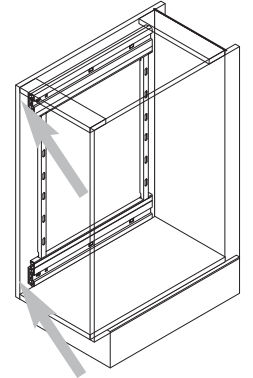
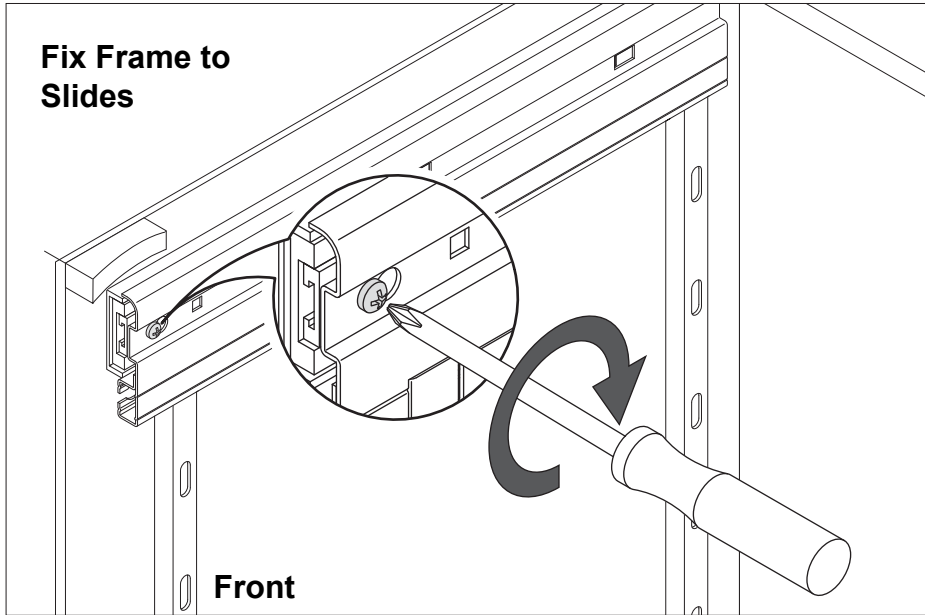
3

Clip On



4

Fix Frame to Slides



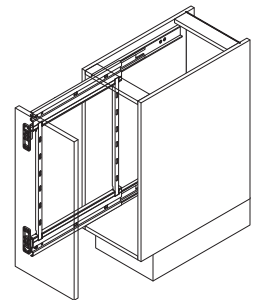
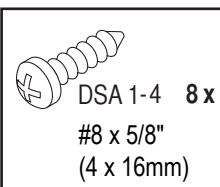
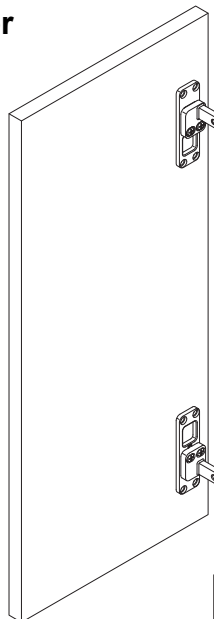
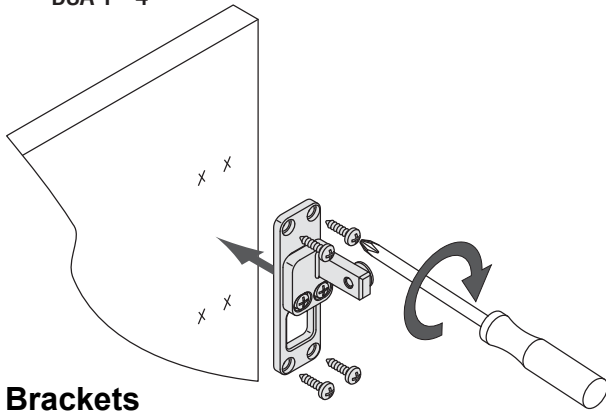
5

DSA 1 - 4

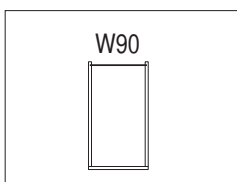
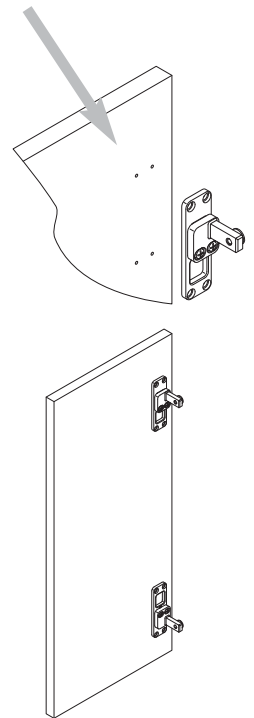
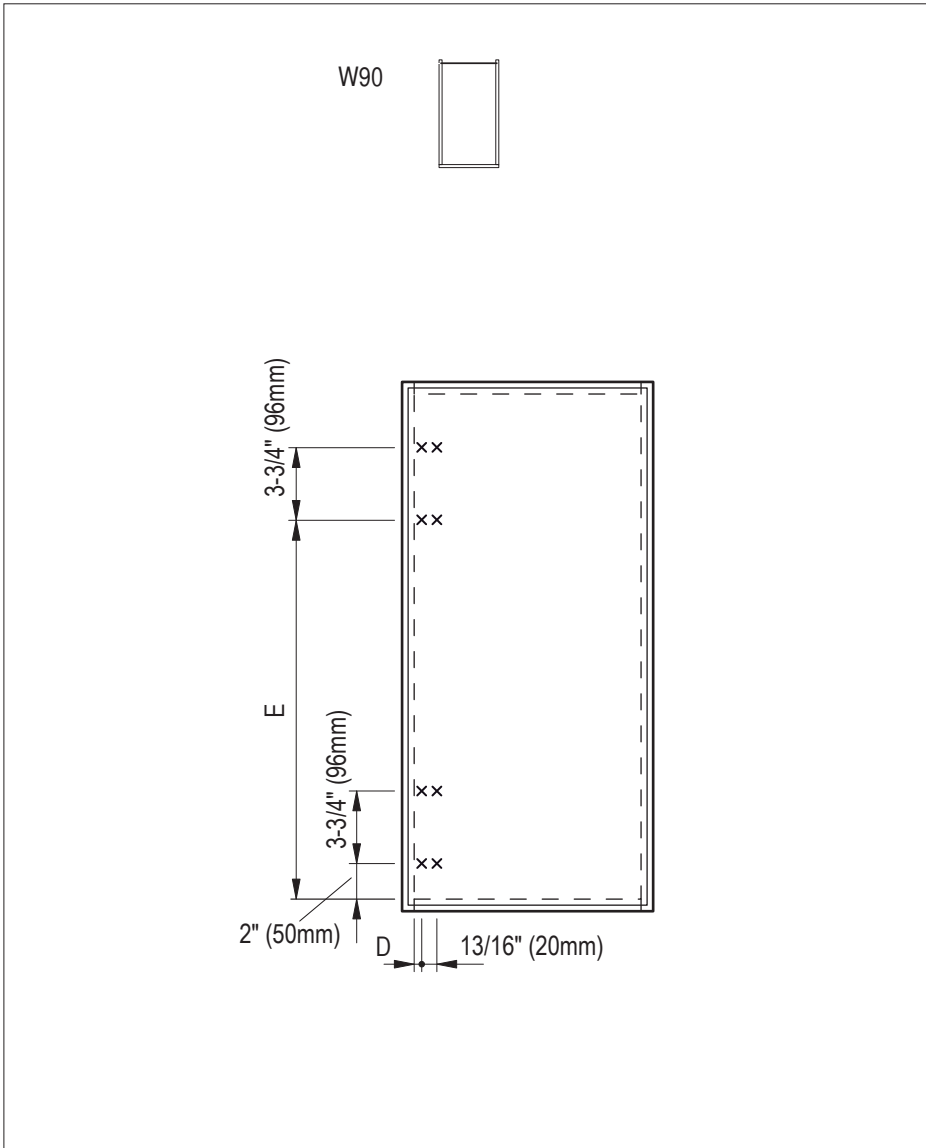
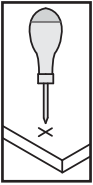


B

Fix Brackets to Door



B

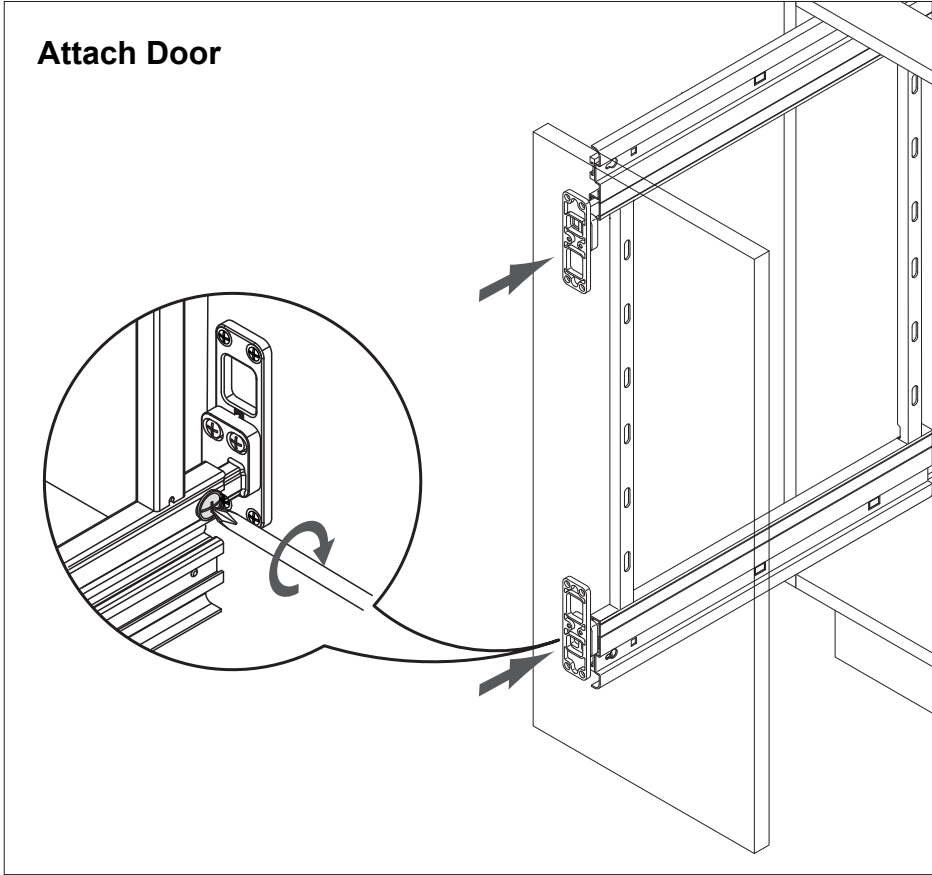


DSA 1-4 W90	D	E
DSA 1	3/8" (10mm)	13-9/16" (344mm)
DSA 3	3/8" (10mm)	19-13/16" (504mm)
DSA 3A	3/8" (10mm)	21-1/8" (536mm)
DSA 4	3/8" (10mm)	23-5/8" (600mm)
DSA 4A	3/8" (10mm)	29-15/16" (760mm)



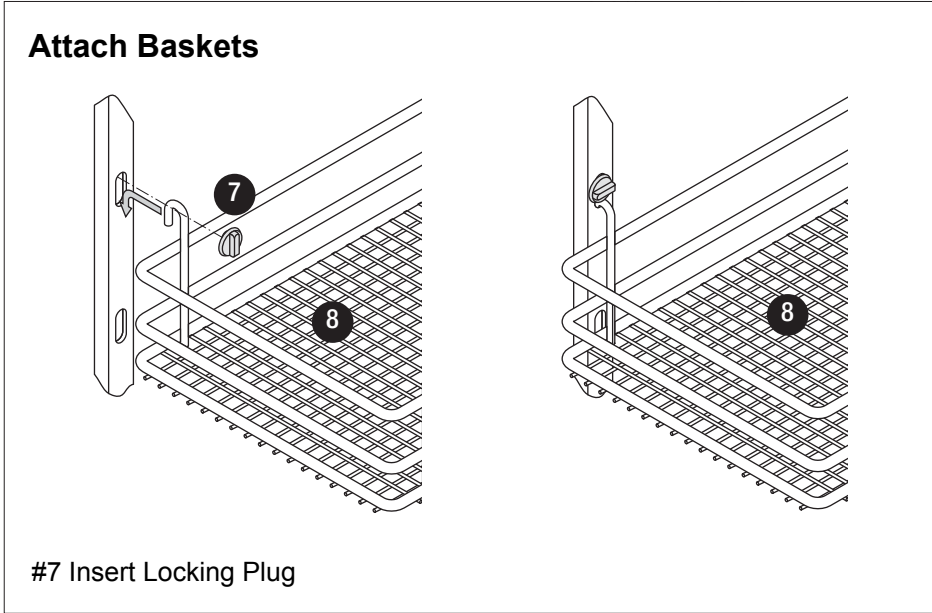
6

Attach Door



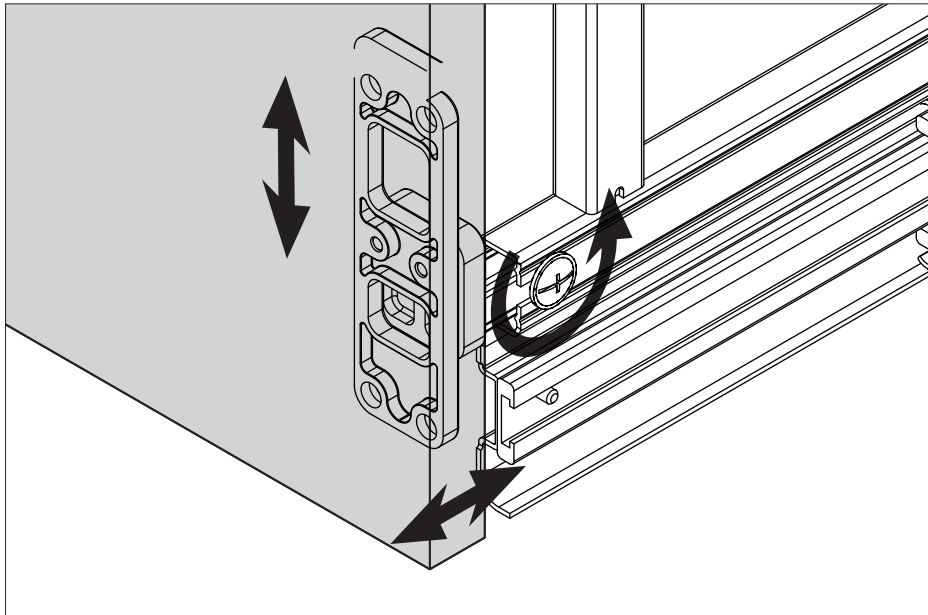
7

Attach Baskets



#7 Insert Locking Plug

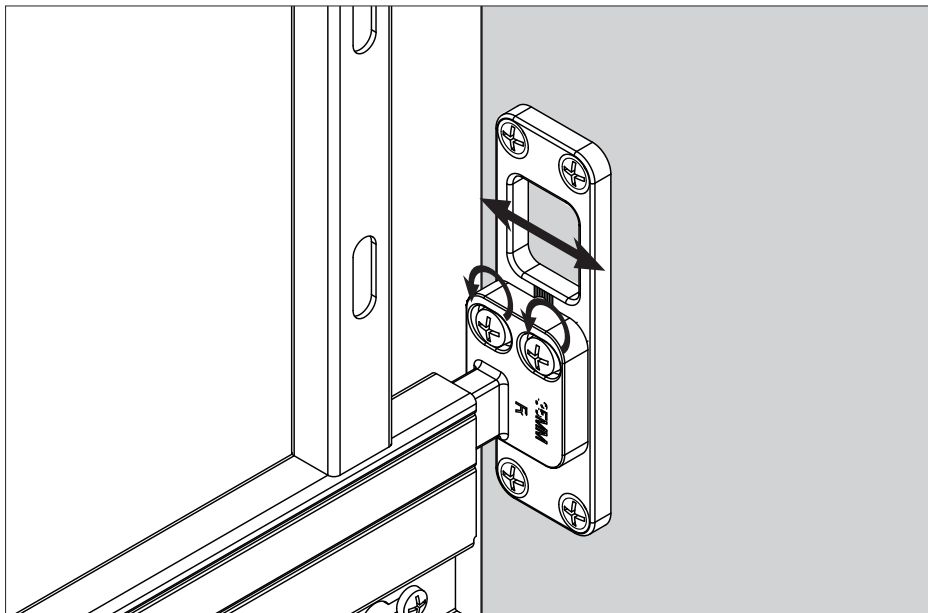
1



Adjust Door Height & Depth & Top Tilt

Adjust Door Overlay

3

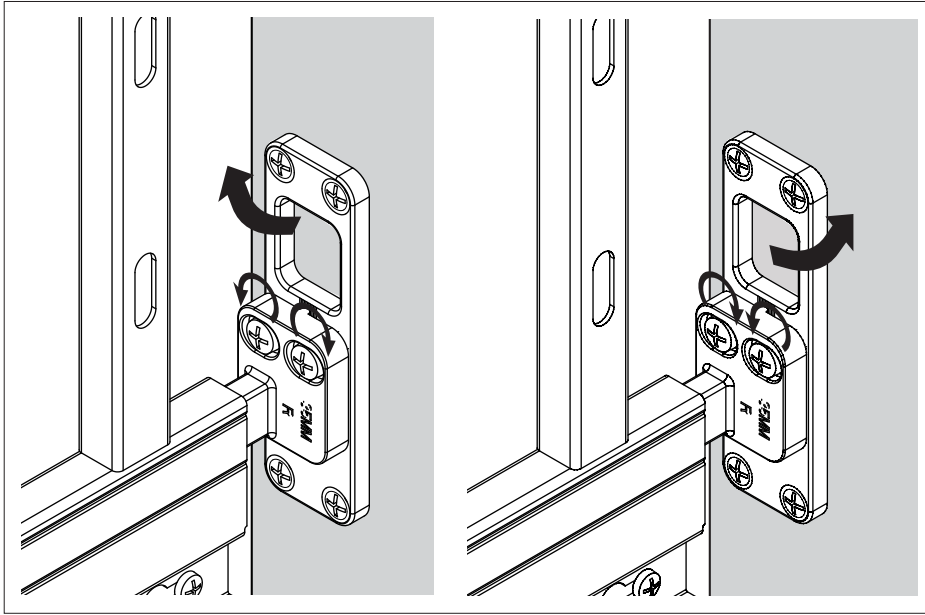




4

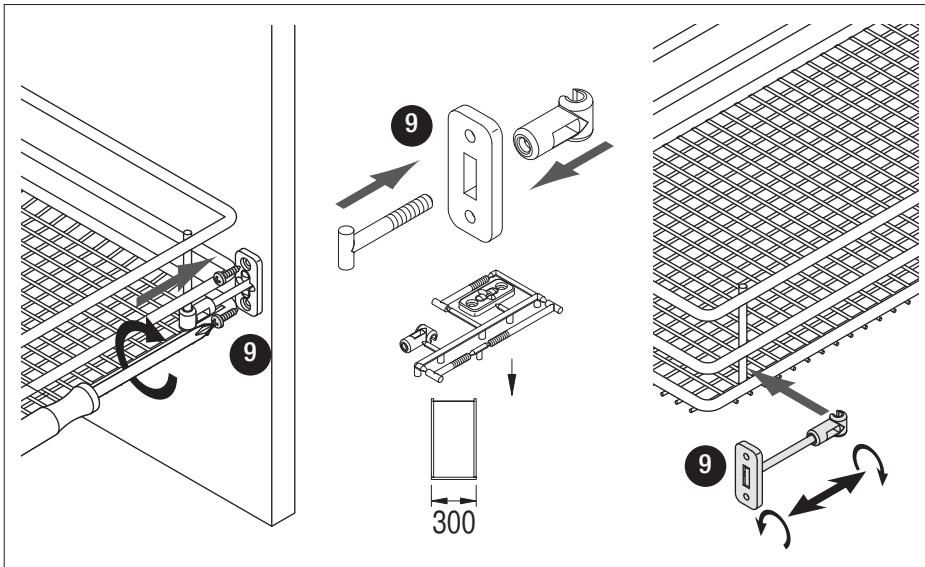


**Adjust Door
Side Tilt**



5

**Only for
Cabinets
wider than
11-3/4"**



6



**To
Dismount
Frame**

