



SUGATSUNE

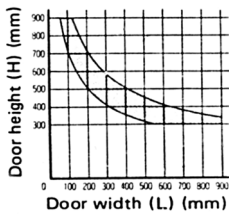
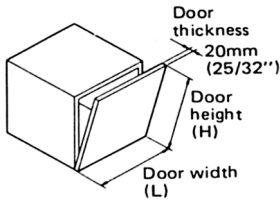
SOFT DOWN STAYS



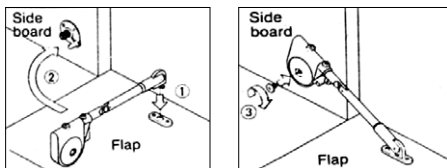
The SDS mechanism allows the stop to release with a smooth, soft motion. Installation is quick and easy. Compact design. Speed and angle adjustment screws included. Plastic body, nickel plated steel arm. (For Flap, Continuous or Euro Hinges.)

Flap Size

The size of the flap must be taken into consideration when ordering. The graph below indicates the usable range of door sizes allowed when 1 stay is used on a usual wooden flap of 20mm (3/4") thickness. Using 2 stays, the width of flap can be doubled if the height remains unchanged.



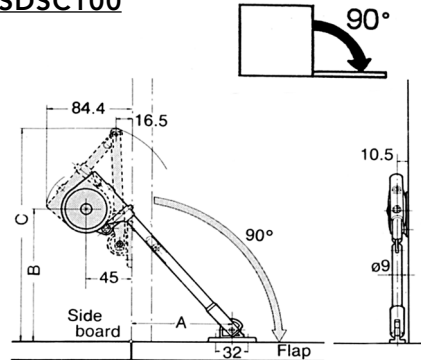
Installation



Install the mounting plate and arm fixing plate with the enclosed wood screws at the designated places.

1. Insert the 'Key' of the cam of the arm-tip into the key-hole of the arm fixing plate. The main body must be placed at 90° angle against the fixing plate.
2. Turn the main body 90° and insert the knurly axis of the mounting plate to the hole of the main body.
3. Then, fix the main body with the bind screw attached.

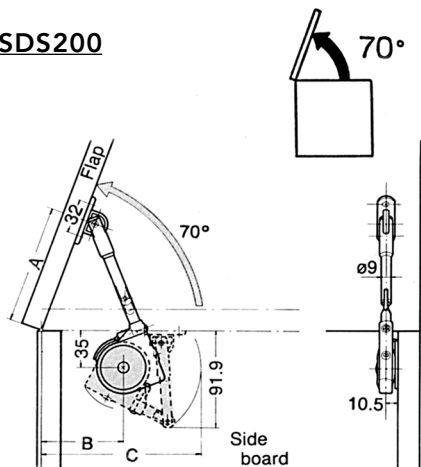
SDSC100



For downward opening flaps like those found on bureaus. Integral catch latches flap.

Code	Color	List/ea
SDSC100W	White	\$ 21.66
SDSC100BL	Black	21.74

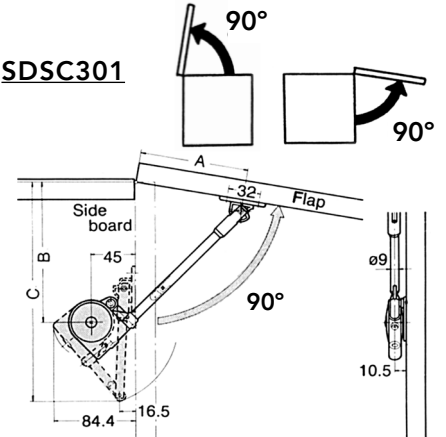
SDS200



For top opening flaps. Plastic parts are white. Use with piano or Euro hinge.

Code	Hinge	List/ea
SDS200W	Piano	\$ 21.50
SDS201W	94° Euro	20.81

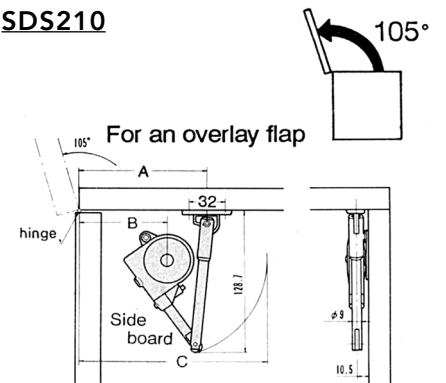
SDSC301



For upward opening flaps like those found on upper kitchen cabinets and for top opening such as toy chests. Integral catch.

Code	Color	List/ea
SDSC301NWH	White	\$ 21.23
SDSC301NBL	Black	21.23

SDS210



For top opening flaps that open to a 105° angle like on a vanity. Plastic is white. Use with flap or piano hinge.

Code	List/ea
SDS210W	\$ 21.50

**NSDX**

**SOFT DOWN STAYS**

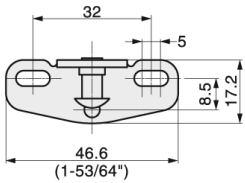
**ADJUSTABLE SOFT-DOWN STAY**

NSDX Series

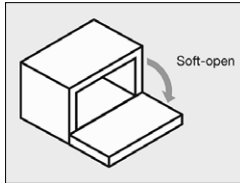
**NSDX-10**



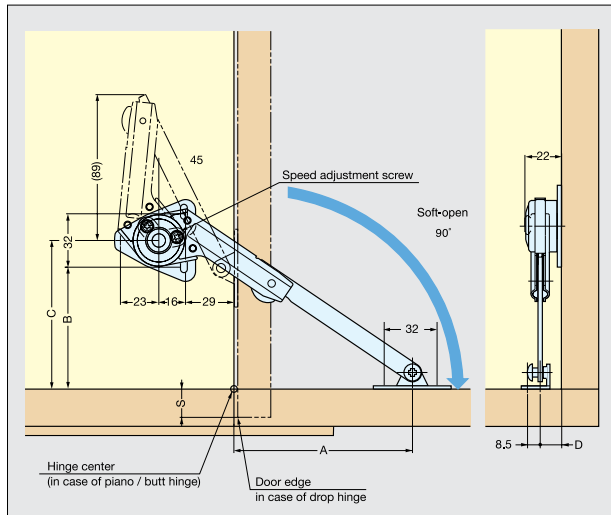
- For DOWNWARD OPENING FLAP DOOR with piano, butt or drop hinges
- Designed to hold door in closed position
- Speed adjustment screw located on front for easy adjustment
- Torque Calculation:  
Torque= Door Height x 1/2 x Door Weight  
Per Piece: 19 - 60 lbs/in.  
Per Pair: 38 - 120 lbs/in.



90° Opening



Arm Mounting Plate



"S" dimension is the overlay coverage for drop hinge(s).

Hinge Type	A	B	C	D
Drop Hinge (SDH-001)	81+S	91	107	11
Piano / Butt Hinge	90	99	115	11

Code	Hand	Finish	Ctn	List/ea
NSDX-10RK	Right	Nickel	20	\$ 18.50
NSDX-10LK	Left	Nickel	20	18.50

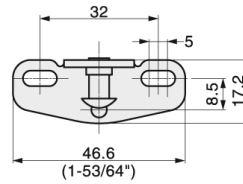
**ADJUSTABLE SOFT-DOWN STAY**

NSDX Series

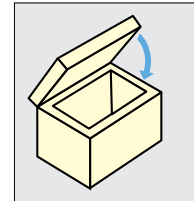
**NSDX-20**



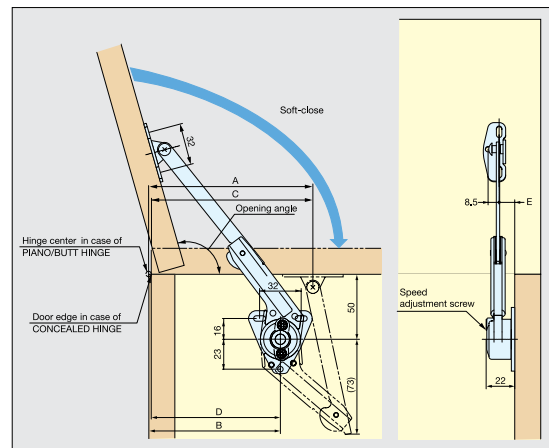
- For TOP OPENING FLAP DOOR with piano, butt or drop hinges
- Opening angle 70° or 105°
- Designed to hold door in fully opened position
- Speed adjustment screw located on front for easy adjustment
- Torque Calculation:  
Torque= Door Height x 1/2 x Door Weight  
Per Piece: 19 - 60 lbs/in.  
Per Pair: 38 - 120 lbs/in.



70° or 105° Opening



Arm Mounting Plate



Opening Angle	Hinge Type	A	B	C	D	E
70°	Concealed Hinge	-	-	126	101	11
	Piano/Butt Hinge	125	100	-	-	
105°	Concealed Hinge	-	-	103	78	11
	Piano/Butt Hinge	97	72	-	-	

Code	Hand	Finish	Ctn	List/ea
NSDX-20RK	Right	Nickel	20	\$ 18.70
NSDX-20LK	Left	Nickel	20	18.70

**SUGATSUNE**

**SOFT DOWN STAY**

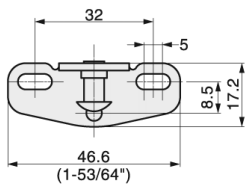
**ADJUSTABLE SOFT-DOWN STAY**

NSDX Series

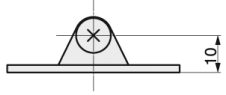
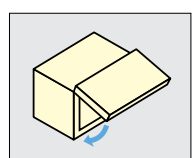
**NSDX-35**



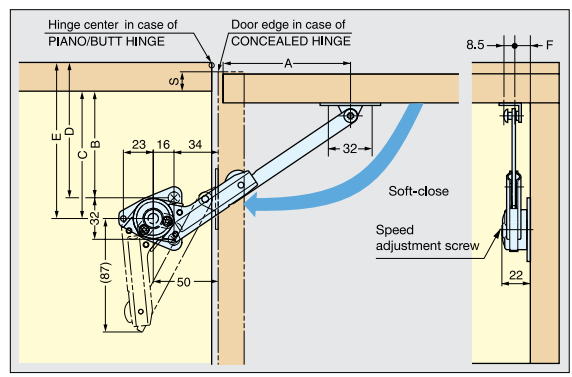
- For UPWARD OPENING FLAP DOOR with piano, butt or drop hinges
- Opening angle 80, 90 or 100°
- Designed to hold door in fully opened position
- Speed adjustment screw located on front for easy adjustment
- Two stop version (holds door at 65 and 90°) also available
- Torque Calculation:  
Torque= Door Height x 1/2 x Door Weight  
Per Piece: 19 - 60 lbs/in.  
Per Pair: 38 - 120 lbs/in.



80°, 90°, 100° Opening



Arm Mounting Plate



Opening Angle	Hinge Type	A	B	C	D	E	F
80°	Concealed Hinge	106	105 -S	121 -S	-	-	11
	Piano/Butt Hinge	100	-	-	99	115	
90°	Concealed Hinge	98	97 -S	113 -S	-	-	
	Piano/Butt Hinge	91.5	-	-	90.5	106.5	
100°	Concealed Hinge	92.5	91.5 -S	107.5 -S	-	-	
	Piano/Butt Hinge	85	-	-	84	100	

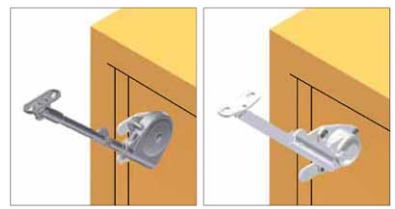
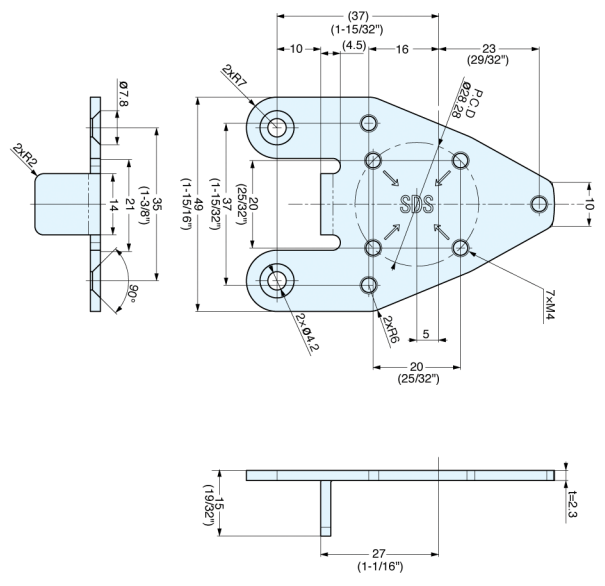
Code	Hand	Finish	Ctn	List/ea
NSDX-35RK	Right	Nickel	20	\$ 23.60
NSDX-35LK	Left	Nickel	20	23.60

**FACE FRAME BRACKET FOR SDS AND NSDX SERIES STAYS**

FFCB-SD



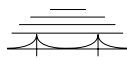
- Works with SDS Series and NSDX Series on face frame cabinets
- Sold per piece
- Steel material, Chromate finish



SDS Series

NSDX Series

Code	Description	List/ea
FFCB-SD	Face Frame Bracket for SDS and NSDX Series Stays	\$ 6.07



LIFT UP STAYS

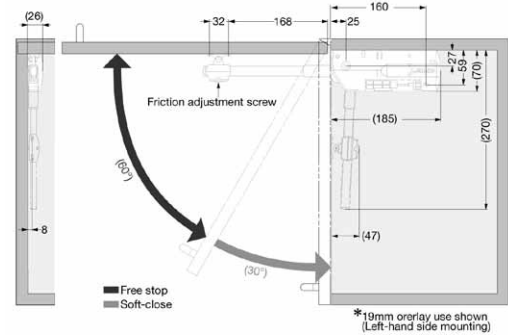
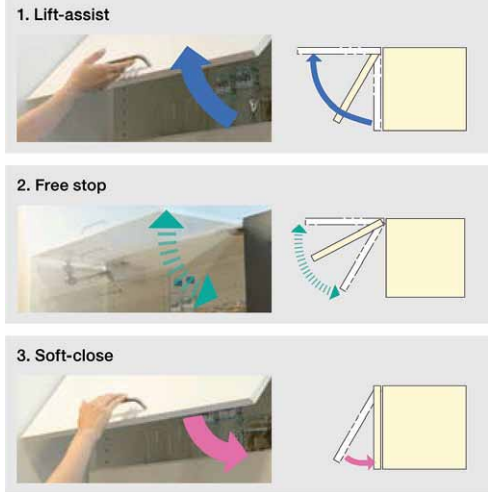
SUGATSUNE

EASY LIFT UP STAY - SOFT CLOSE

SLS-ELAN

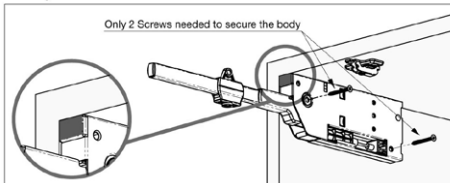


- Lapcon stay for upward-opening flap doors
- Lift-assist mechanism for extra light opening
- Door stays in any desired position
- Damper equipped for soft & silent closing at the end
- Slim design and installed location maximizes space inside of cabinet
- Simple installation by aligning body to edge of cabinet
- Single or pair use allows wide range of door size / weight
- Recognized by LGA for 40,000 cycles
- Optional bracket for aluminum frame door available

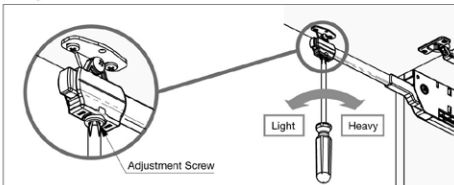


View this video and others here:  
<http://macmurraypacific.com/youtube.html>

Easy Installation

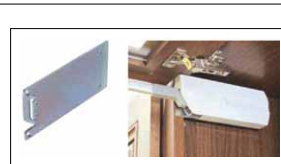


Adjustment



See Chart:

Med. Duty up to 21 lbs/pr.  
Heavy Duty up to 29 lbs/pr.



FFCB-SLS

Bracket for face frame application. One bracket is needed for each stay.

Door Weight Range Table (lbs.)

Door Height (inch)	Door Weight Range Table (lbs.)							
	Single use				Pair use			
	M-type		H-type		M-type		H-type	
	Min	Max	Min	Max	Min	Max	Min	Max
12"	8.0	10.8	10.8	14.5	16.0	21.7	21.7	29.0
13"	7.4	10.0	10.0	13.4	14.8	20.0	20.0	26.8
14"	6.9	9.3	9.3	12.4	13.7	18.6	18.6	24.9
15"	6.4	8.7	8.7	11.6	12.8	17.3	17.3	23.2
16"	6.0	8.1	8.1	10.9	12.0	16.3	16.3	21.8
17"	5.6	7.6	7.6	10.2	11.3	15.3	15.3	20.5
18"	5.3	7.2	7.2	9.7	10.7	14.4	14.4	19.3
19"	5.1	6.8	6.8	9.2	10.1	13.7	13.7	18.3
20"	4.8	6.5	6.5	8.7	9.6	13.0	13.0	17.4
21"	4.6	6.2	6.2	8.3	9.1	12.4	12.4	16.6
22"	4.4	5.9	5.9	7.9	8.7	11.8	11.8	15.8
23"	4.2	5.7	5.7	7.6	8.3	11.3	11.3	15.1
24"	4.0	5.4	5.4	7.3	8.0	10.8	10.8	14.5
25"	3.8	5.2	5.2	7.0	7.7	10.4	10.4	13.9
26"	3.7	5.0	5.0	6.7	7.4	10.0	10.0	13.4
27"	3.6	4.8	4.8	6.4	7.1	9.6	9.6	12.9
28"	3.4	4.6	4.6	6.2	6.9	9.3	9.3	12.4

\*Single or pair use depending on door size and weight.

Code	Description	List/ea
SLS-ELAN-MR	Med. Duty / RH Lift Up Stay	\$ 50.55
SLS-ELAN-ML	Med. Duty / LH Lift Up Stay	50.55
SLS-ELAN-HR	Heavy Duty / RH	50.55
SLS-ELAN-HL	Heavy Duty / LH	50.55
FFCB-SLS	Face Frame Bracket for above Stays	\$ 10.11

**SUGATSUNE**

**LIFT UP STAYS**

**SWING LIFT-UP STAY**

SLU-ELAN

- Swing Lift-Up for Doors
- Soft & silent closing
- Lift-assist for extra light-opening
- No hinges are required



- Door stays in any desired position
- Simple installation by mounting guide plate and slide in main body
- Connecting bar stays on top for maximum access inside the cabinet - sold separately
- Recommended Door Size and Weight:  
Width: Max 59"  
Height: 15-3/8" - 19-11/16" / door  
Weight: 11 - 24.2 lbs.

**YouTube** View this video and others here:  
<http://macmurraypacific.com/youtube.html>

**Connecting Bars** - sold separately - 2 sizes

	<u>Cab Width</u>	<u>Inside Dimensions</u>
ELB-780	900 (35-1/2")	856 - 866 (33-3/4 - 34-1/8")
ELB-1380	1500 (59")	1456 - 1466 (57-5/16 - 57-3/4")

**Face Frame Bracket** - Sold separately. Sold per pair. Works with SLU-ELAN on face frame cabinetry.

Stays packed 5 sets/Ctn, Bars packed 5 ea/Ctn, Brackets packed 4pr/Ctn.

<u>Code</u>	<u>Door Weight</u>	<u>List/set</u>
SLU-ELAN-S4	11 - 14.3 lbs.	\$ 230.24
SLU-ELAN-L4	14.3 - 17.6 lbs.	230.24
SLU-ELAN-M4	17.6 - 20.9 lbs.	230.24
SLU-ELAN-H4	20.9 - 24.2 lbs.	230.24
ELB-780	Connecting Bar, 780mm	\$ 20.02/ea
ELB-1380	Connecting Bar, 1380mm	30.03/ea
FFCB-SLU	Face Frame Bracket	\$ 30.00/pr

**VERTICAL SWING LIFT-UP MECHANISM**

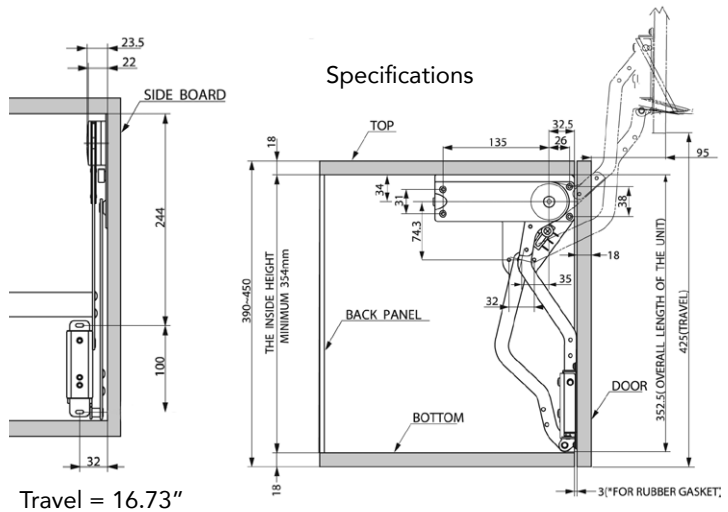
SLUN



**SLUN-5N**  
Up to 12.8 lbs.



- Unique mechanism will help lift doors and hold at the open position
- Sleek, compact design. Smooth, quiet motion.
- Material: Steel/Plastic, Color: Nickel/Gray
- Easy Installation
- Adjustable mounting plate
- Passed 30,000 open/close cycle tests
- Recommended Door Size:  
Width: 23-5/8" - 35-7/16",  
Height: 15-23/64" - 17-23/32" / door  
Weight: 6.2 - 12.8 lbs.



Guide Bar Included: 835mm (32-7/8")

Pack 5 Sets/Ctn.

<u>Code</u>	<u>Door Weight</u>	<u>List/set</u>
SLUN-3N	6.2 - 8.4 lbs.	\$ 155.16
SLUN-4N	8.4 - 10.6 lbs.	155.16
SLUN-5N	10.6 - 12.8 lbs.	155.16





VERTICAL LIFT

SALICE

PARALLEL OPENING SYSTEM

Vertical Lift



Code	Description	List
PARALLEL-SM	Parallel Lift Kit, 15"-17" Door	\$ 199.87
PARALLEL	Parallel Lift Kit, 18"-26" Door	206.00
FLMGSE100	Piston, 100 Force Cont. Action	\$ 28.81
FLMGSE150	Piston, 150 Force " "	28.81
FLMGSE200	Piston, 200 Force " "	28.81
FLMGSE250	Piston, 250 Force " "	28.81
FLMGSE300	Piston, 300 Force " "	28.81
FLMGSE350	Piston, 350 Force " "	28.81
FLMGSE400	Piston, 400 Force " "	28.81
FLMGSE450	Piston, 450 Force " "	28.81
FLMGSE500	Piston, 500 Force " "	28.81
FLMGSE550	Piston, 550 Force " "	28.81
FLMGSE600	Piston, 600 Force " "	28.81
FLMGSE650	Piston, 650 Force " "	33.72

8

Must Order 2 Pistons per Kit

Each Lift Kit Includes:

- 2 - Lift Arms w/ Cover
- 6 - Smove Soft-Close pistons (D00F, D00L, D00S)
- 2 - BAP3R29 plates
- 12 - #8x5/8" screws
- Template & Instructions

Stabilizer Bars (Must Order)

Can be trimmed to fit exact length needed

FP59KX445	For 24" Door Width	\$ 20.20
FP59KX745	For 36" Door Width	32.17
FP59K1057	For 48" Door Width	35.27

Specifications
Minimum opening height
15" (380mm)
Maximum door height
26" (660mm)
Minimum cabinet depth
7" (180mm)
Interior space loss (width)
2 1/2" (65mm)
Opening loss (height)
1 1/2" (36mm)

Continuous, single motion parallel lift

1	Door H = 360mm (15")	Door weight (lbs)															
		5	6	7	8	9	10	11	12	13	14	15	16	17	18		
Cabinet width	600mm (24") - 900mm(35")	200	200	250	250	250	300	300	300	300	350	350	400	400	400		
	900mm (36") - 1200mm (47")	200	200	250	250	250	300	300	300	300	350	350	400	400	400		
	1200mm (48")					250	300	300	300	300	350	350	400	400	400		
		Required piston force															

2	Door H = 420mm (17")	Door weight (lbs)															
		5	6	7	8	9	10	11	12	13	14	15	16	17	18		
Cabinet width	600mm (24") - 900mm(35")			250	250	250	300	300	300	300	350	350	400	400	400		
	900mm (36") - 1200mm (47")			250	250	250	300	300	300	300	350	350	400	400	400		
	1200mm (48")					250	300	300	300	300	350	350	400	400	400		
		Required piston force															

3	Door H = 480mm (19")	Door weight (lbs)															
		5	6	7	8	9	10	11	12	13	14	15	16	17	18		
Cabinet width	600mm (24") - 900mm(35")			250	250	250	300	300	300	300	350	350	400	400	400		
	900mm (36") - 1200mm (47")					250	300	300	300	350	350	400	400	400	400		
	1200mm (48")					250	300	300	300	350	350	400	400	400	400		
		Required piston force															

4	Door H = 540mm (21")	Door weight (lbs)															
		5	6	7	8	9	10	11	12	13	14	15	16	17	18		
Cabinet width	600mm (24") - 900mm(35")	250	250	300	300	350	350	400	400	450	450	500	500	550	550		
	900mm (36") - 1200mm (47")	250	250	300	300	350	350	400	400	450	450	500	500	550	550		
	1200mm (48")	250	250	300	300	350	350	400	400	450	450	500	500	550	550		
		Required piston force															

5	Door H = 600mm (24")	Door weight (lbs)															
		5	6	7	8	9	10	11	12	13	14	15	16	17	18		
Cabinet width	600mm (24") - 900mm(35")	250	250	300	300	350	350	400	400	450	450	500	500	550	550		
	900mm (36") - 1200mm (47")	250	250	300	300	350	350	400	400	450	450	500	500	550	550		
	1200mm (48")	250	250	300	300	350	350	400	400	450	450	500	500	550	550		
		Required piston force															

6	Door H = 660mm (26")	Door weight (lbs)															
		5	6	7	8	9	10	11	12	13	14	15	16	17	18		
Cabinet width	600mm (24") - 900mm(35")	250	250	300	300	350	350	400	400	450	450	500	500	550	550		
	900mm (36") - 1200mm (47")	250	250	300	300	350	350	400	400	450	450	500	500	550	550		
	1200mm (48")	250	250	300	300	350	350	400	400	450	450	500	500	550	550		
		Required piston force															

**SALICE**

**BI-FOLD DOUBLE LIFT**

**BI-FOLD DOUBLE LIFT SYSTEM**

Double Lift / Folding Door System



**Kit includes:**

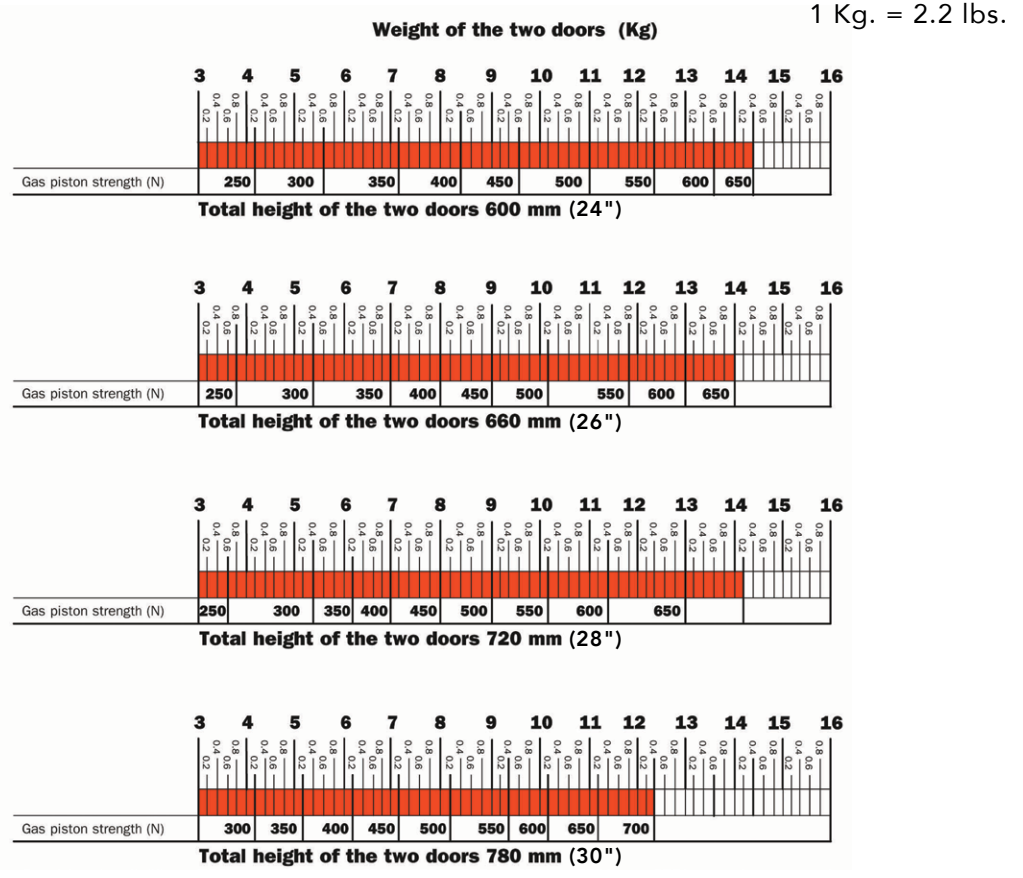
- Two Lift Arms with Covers,
- 2 prs. Smove soft-close pistons,
- 2 plates,
- 3 bi-fold central hinges.

Must purchase 2 lift piston  
ex. (2) FLMGSE400

Kit Code	For Door Height	List
BIFOLD-24	24"	\$ 160.16
BIFOLD-26	26"	160.16
BIFOLD-28	28"	160.16
BIFOLD-30	30"	160.16
BIFOLD-36	36"	160.16

Code	Description	List
FLMGSE100	Piston, 100 Force Cont. Action	\$ 28.81
FLMGSE150	Piston, 150 Force " "	28.81
FLMGSE200	Piston, 200 Force " "	28.81
FLMGSE250	Piston, 250 Force " "	28.81
FLMGSE300	Piston, 300 Force " "	28.81
FLMGSE350	Piston, 350 Force " "	28.81
FLMGSE400	Piston, 400 Force " "	28.81
FLMGSE450	Piston, 450 Force " "	28.81
FLMGSE500	Piston, 500 Force " "	28.81
FLMGSE550	Piston, 550 Force " "	28.81
FLMGSE600	Piston, 600 Force " "	28.81
FLMGSE650	Piston, 650 Force " "	33.72

Cabinet width 600, 900 and 1200 mm





**FLAP LIFT**

**SALICE**

**FLAP DOOR LIFT**



Code	Description	List
FLAP-L	Flap Lift Kit - Left Arm	\$ 75.83
FLAP-R	Flap Lift Kit - Right Arm	75.83
FLMGSE100	Piston, 100 Force Cont. Action	\$ 28.81
FLMGSE150	Piston, 150 Force " "	28.81
FLMGSE200	Piston, 200 Force " "	28.81
FLMGSE250	Piston, 250 Force " "	28.81
FLMGSE300	Piston, 300 Force " "	28.81
FLMGSE350	Piston, 350 Force " "	28.81
FLMGSE400	Piston, 400 Force " "	28.81
FLMGSE450	Piston, 450 Force " "	28.81
FLMGSE500	Piston, 500 Force " "	28.81
FLMGSE550	Piston, 550 Force " "	28.81
FLMGSE600	Piston, 600 Force " "	28.81
FLMGSE650	Piston, 650 Force " "	33.72

**Must Order 1 Piston per Flap**

8

**Each Lift Kit Includes:**

- 1 - Lift Arm w/ Cover
- 3 - Smove Soft-Close pistons (D00F, D00L, D00S)
- 2 - BAP3R29 plates
- 7 - #8x5/8" screws

Template & Instructions

**Standard setup:**

Pick appropriate 110° hinge (3 ea.) & baseplate (3 ea.) (Euro or Face Frame) for desired overlay.  
For example:  
C2R6D99 + BAU3R19 = 1/2" Overlay

**Push setup:**

\* 16" (400mm) = Max. door height  
Pick appropriate push hinges & plates

For example: C2RPA99 + BAU3R19 (hng/plt) +  
1-DP4SNG (Push Adj. Latch)  
1-DP29 (Surface Mount Catch)  
1-D00PSNA (Push Smove)

A Continuous opening systems: vertical flap door													
Flap door	One lift arm required (left or right)				Two lift arms required (1 right and 1 left)								
	Door height				Door height								
	12"	13"	14"	15"	16"	17"	18"	19"	20"	21"	22"	23"	24"
4	150	200	200	200									
5	150	200	200	200									
6	200	200	200	200									
7	200	200	200	250	150	200	200	200	200	200			
8	200	200	200	250	150	200	200	200	200	200	200	200	200
9	250	250	250	300	200	200	200	200	200	200	200	200	250
10	250	250	250	300	200	200	200	250	250	250	250	250	250
11	250	300	300	300	200	200	200	250	250	250	250	250	250
12	250	300	300	350	250	250	250	250	250	250	250	250	250
13	300	300	350	350	250	250	250	250	250	300	300	300	300
14	300	350	350	400	250	250	250	300	300	300	300	300	300
15	300	350	400	400	300	300	300	300	300	300	300	300	300
16	350	400	400	450	300	300	300	300	300	350	350	350	350
17	350	400	450	450	300	300	300	300	350	350	350	350	350
18	350	400	450	450	300	300	300	350	350	350	350	350	350
19					350	350	350	350	350	350	350	350	400
20					350	350	350	350	350	400	400	400	400

Specifications	
Minimum door height	12" (300mm)
Maximum door height	24" (600mm)
Minimum cabinet depth	7" (180mm)
Interior space loss	2-1/2" (65mm)

Find the weight of the door		(width in. X height in.) ÷ 144 = door sq/ft. door sq/ft X weight per sqft = door weight					
Thickness		Common material weight per sq/ft					
Inch	mm.	Particle Bd.	MDF	Plywood	Hardwood	Softwood	Glass
1/8"	3						1.6
5/32"	4						2.0
1/4"	6.4						3.2
5/16"	8						4.0
3/8"	9.5						4.8
1/2"	12.7	2.0	2.3	1.7			6.4
5/8"	16	2.5	2.9	2.1	2.3	1.6	8.0
3/4"	19	3.0	3.5	2.5	2.7	1.9	9.6
7/8"	22	3.5	4.2	2.9			
1"	25.4	4.0	4.7	3.3	3.6	2.5	
1 3/8"	35	5.5	6.4	4.6	5.0	3.4	



**SUGATSUNE**

**STAYS**

**HEAVY DUTY LID STAY**

Special Order



Satin Stainless Steel

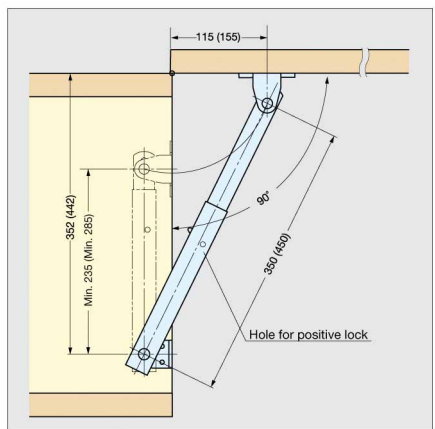
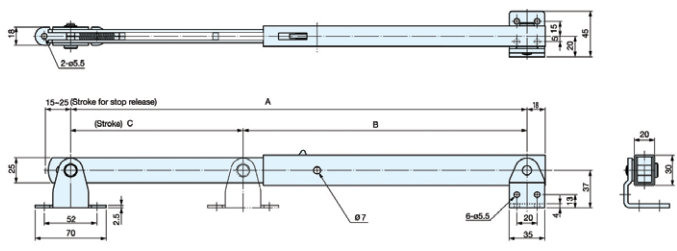
LB-S350

Load Cap: 293 lbs.

LB-S450

Load Cap: 214 lbs.

- Heavy duty lid stay
- Holds lid or panel in fully opened position
- Lift up the lid to release
- 304 Stainless Steel
- Only one stay per lid required
- Non-handed



Measurements above in ( ) are for LB-S450.  
\*Lid stay must be installed parallel to the sidewall.

**Special Order**

Code	(A)	(B)	(C)	List/ea
LB-S350	13-25/32"	9-1/16"	4-23/32"	\$ 130
LB-S450	17-25/32"	11-1/32"	6-11/16"	145

**HEAVY DUTY SOFT-DOWN STAY**

Special Order

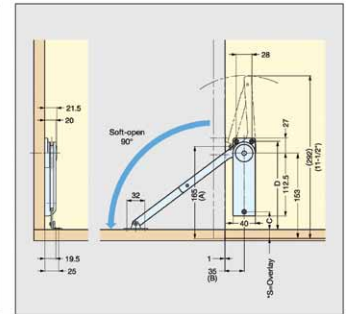
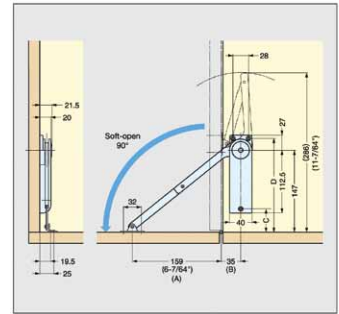


**HDS-10**

- For DOWNWARD-OPENING FLAP DOOR with piano, butt or drop hinges.
- HDS-10 is designed to hold door in closed and open position
- Used in pairs

With Piano / Butt Hinges

With Drop Hinge



\*S=Overlay coverage in case of drop hinge

Hinge Type	A	B	C	D
Drop Hinge	165	35	48-S	174-S
Piano/Butt Hinge	159		42	168

Material	Finish/Color
Steel	Nickel
Plastic	Black, White

Available in Black or White.  
Sold per Each.

Code			Torque	
Left	Right	Type	lbs-in/pr.	List/ea
HDS-10KL	HDS-10KR	Light Duty	121-173	\$ 29.50
HDS-10ML	HDS-10MR	Med. Duty	173-216	29.50
HDS-10HL	HDS-10HR	Heavy Duty	216-260	29.50

- Torque Calculation:  
Torque = Door Height x 1/2 x Door Weight

LATERAL DOOR HINGE

SUGATSUNE

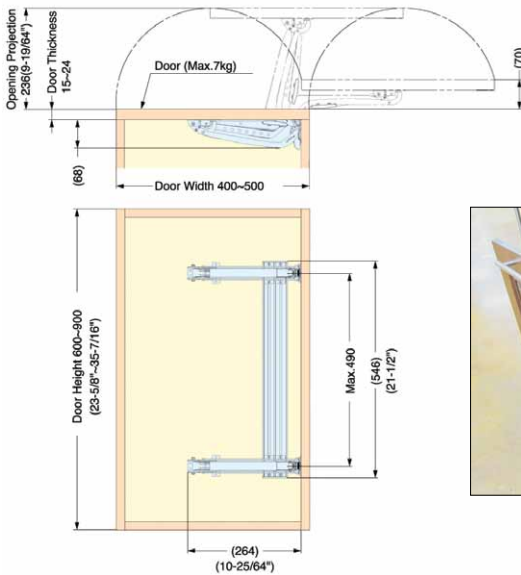
**MONOFLAT LIN-X HINGE FOR LATERAL DOOR OPENING**

Special Order



**Features:**

- Lateral swing mechanism allows doors to swing out laterally in a small radius, ideal for tight front space application
- Stops in any position, flush in closed position
- Self & Soft closing, Clean appearance
- Material: Steel/Aluminum, Finish: Nickel/Anodized
- Can be opened from various points
- Maximum space availability: full access to inside of cabinet while door opened
- Designed for standard 32 system mounting



Code

LIN-X450  
LIN-X450+5

Overlay

19mm (3/4")  
14mm (35/64")

List/set

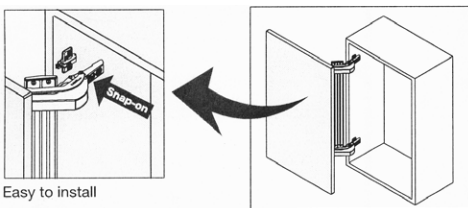
\$ 190  
190



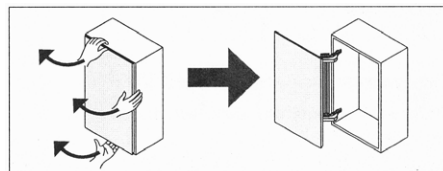
**Stops in any position**  
**Self/Soft Closing**

Door Height	23-5/8" - 35-7/16"
Door Width	15-3/4" - 19-11/16"
Door Thickness	19/32" - 61/64"
Door Weight	15.4 lbs / door

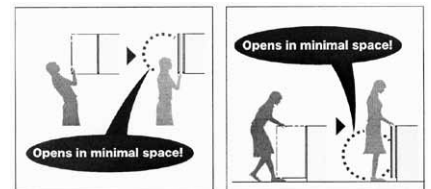
**Snap-on Installation**



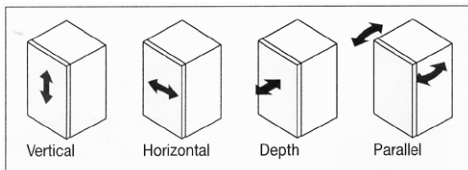
**Can be opened from various points**



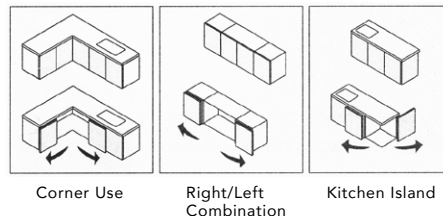
**Lateral Swing Mechanism**



**4-Way Adjustment**



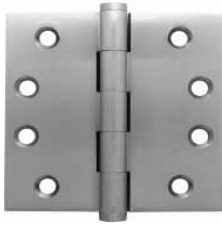
**Various Applications**



**Components**



**CONTRACT BUTT HINGES**



**HAGER BUTT HINGES - STANDARD WEIGHT**

Commercial, Template, Steel Butt hinges with Square Corners and Button Tips.

1279 Plain-bearing  
BB1279 Ball-bearing

Standard weight commercial, butt hinges for use on wood or metal doors. Packed with wood screws. Available in plain-bearing and ball-bearing.

**PLAIN BEARING, STANDARD WT, TEMPLATE**

For use on medium weight doors requiring low frequency service (Not for use with door closer). Steel with steel pins.

**Size: 3-1/2" x 3-1/2", 100 ea/bx.**

Code	Finish	List/ea
1279-3-3.5	Polished Brass	\$ 8.86
1279-4-3.5	Dull Brass	4.52
1279-10B-3.5	Oil R Bronze	10.49
1279-15-3.5	Satin Nickel	12.08
1279-15A-3.5	Antique Nickel	9.36
1279-5-3.5	Antique Brass	8.04
1279-26-3.5	Polished Chrome	10.13
1279-26D-3.5	Dull Chrome	8.92
1279-P-3.5	Prime Coat	3.73

**Size: 4" x 4", 48 ea/bx.**

1279-3-4	Polished Brass	\$ 10.78
1279-4-4	Dull Brass	7.13
1279-10B-4	Oil R Bronze	11.16
1279-15-4	Satin Nickel	12.55
1279-15A-4	Antique Nickel	10.02
1279-5-4	Antique Brass	8.99
1279-26-4	Polished Chrome	9.29
1279-26D-4	Dull Chrome	9.79
1279-P-4	Prime Coat	5.80
1279-H2H-4	Galvanized	10.44

**Size: 4-1/2" x 4-1/2", 48 ea/bx.**

1279-3-4.5	Polished Brass	\$ 11.22
1279-10B-4.5	Oil R Bronze	12.92
1279-26D-4.5	Dull Chrome	6.62
1279-P-4.5	Prime Coat	6.98
1279-H2H-4.5	Galvanized	16.15

**SOLID BRASS PLAIN BEARING BUTT HINGES**

Square Corner. Stainless Steel pin. ORB finish. Other sizes and finishes are available special order.

Code	Size	Ctn	List/ea
1191-10B-3.5	3.5"x 3.5"	100 ea.	\$ 39.37
1191-10B-4	4" x 4"	48 ea.	37.57

**BALL BEARING, STANDARD WT, TEMPLATE**

For use on medium weight doors or doors requiring medium frequency service.

**Size: 3-1/2" x 3-1/2", 100 ea/bx.**

Code	Finish	List/ea
BB1279-10B-3.5	Oil R Bronze	\$ 17.28

**Size: 4" x 4", 48 ea/bx.**

BB1279-3-4	Polished Brass	\$ 24.79
BB1279-10B-4	Oil R Bronze	26.29
BB1279-15-4	Satin Nickel	28.07
BB1279-26-4	Polished Chrome	21.22
BB1279-26D-4	Dull Chrome	20.62
BB1279-H2H-4	Galvanized	27.59

**Size: 4-1/2" x 4-1/2", 48 ea/bx.**

BB1279-10B-4.5	Oil R Bronze	\$ 21.30
BB1279-26-4.5	Polished Chrome	20.48
BB1279-26D-4.5	Dull Chrome	16.18
BB1279-H2H-4.5	Galvanized	25.06

**Size: 5" x 5", 24 ea/bx.**

BB1279-10B-5	Oil R Bronze	\$ 42.04
BB1279-26D-5	Dull Chrome	30.01

Comparison Chart

1279	=	2714	McKinney
BB1279	=	TA2714	McKinney
1250	=	1502	McKinney
1191	=	2314	McKinney



**BUTT HINGES**

**PLAIN BEARING HINGES**

Commercial Grade



- Square Corner
- Plain Bearing
- 4 x 4" size: 0.130" ga.
- 4.5 x 4.5" size: 0.134" ga.

<u>Code</u>	<u>Size</u>	<u>Finish</u>	<u>List/ea</u>
H44-00ROB	4" x 4"	Oil R Bronze	\$ 8.69
H44-00RSC	4" x 4"	Satin Chrome	7.56
H44-00RSN	4" x 4"	Satin Nickel	7.56
H45-00ROB	4.5" x 4.5"	Oil R Bronze	10.87
H45-00RSC	4.5" x 4.5"	Satin Chrome	9.45
H45-00RSN	4.5" x 4.5"	Satin Nickel	9.45

8

**BALL BEARING HINGES**

Commercial Grade



- Square Corner
- Ball Bearing
- 4 x 4" size: 0.130" ga.
- 4.5 x 4.5" size: 0.134" ga.

<u>Code</u>	<u>Size</u>	<u>Finish</u>	<u>List/ea</u>
H44-02ROB	4" x 4"	Oil R Bronze	\$ 10.43
H44-02RSC	4" x 4"	Satin Chrome	9.08
H44-02RSN	4" x 4"	Satin Nickel	9.08
H45-02ROB	4.5" x 4.5"	Oil R Bronze	13.04
H45-02RSC	4.5" x 4.5"	Satin Chrome	11.34
H45-02RSN	4.5" x 4.5"	Satin Nickel	11.34



**RADIUS CORNER**

**BUTT HINGES**

**HAGER RESIDENTIAL BUTT HINGES**

1/4" Radius Corner, Plain Bearing Steel



RC1741-3.5"



RC1741-4"

Packed 100 each/box with wood screws.

Size: 3.5" x 3.5"	Finish	List/ea
RC1741-3-3.5	Pol. Brass	\$ 2.55
RC1741-4-3.5	Dull Brass	3.11
RC1741-P-3.5	Prime Coat	1.72
RC1741-15-3.5	Sat. Nickel	2.83
RC1741-26-3.5	Pol. Chrome	3.46
RC1741-26D-3.5	Dull Chrome	3.32
RC1741-10R-3.5	Ant. Bronze	3.32

Size: 4" x 4"	Finish	List/ea
RC1741-3-4	Pol. Brass	\$ 3.34
RC1741-4-4	Dull Brass	4.52
RC1741-P-4	Prime Coat	1.76
RC1741-15-4	Sat. Nickel	3.34
RC1741-26-4	Pol. Chrome	3.34
RC1741-26D-4	Dull Chrome	3.34
RC1741-10R-4	Ant. Bronze	3.34

**RESIDENTIAL BUTT HINGES**

1/4" Radius Corner, Plain Bearing Steel



3.5" x 3.5"



4" x 4"

Packed: 1 pair per box with screws.

Code	Finish	Size	List/ea
RH-61-US10B	Oil R Bronze	3.5" x 3.5"	\$ 2.43
RH-61-US15	Satin Nickel	3.5" x 3.5"	2.43
RH-61-US26D	Satin Chrome	3.5" x 3.5"	2.43
RH-60-US10B	Oil R Bronze	4" x 4"	2.84
RH-60-US15	Satin Nickel	4" x 4"	2.84
RH-60-US26D	Satin Chrome	4" x 4"	2.84

**RESIDENTIAL BUTT HINGES**

5/8" Radius Corner, Plain Bearing Steel



3.5" x 3.5"



4" x 4"

Packed: 1 pair per box with screws.

Code	Finish	Size	List/ea
RH-35-US10B	Oil R Bronze	3.5" x 3.5"	\$ 2.43
RH-35-US15	Satin Nickel	3.5" x 3.5"	2.43
RH-40-US10B	Oil R Bronze	4" x 4"	2.84
RH-40-US15	Satin Nickel	4" x 4"	2.84

**STAINLESS STEEL RESIDENTIAL BUTT HINGE**

Stanley



CD747-4-32

Solid stainless steel butt hinge for light weight residential doors in low frequency applications. Square corner, non-rising pin, hole in bottom tip for easy removal. Five knuckle, full mortise design.

Carded, one hinge per card with stainless steel screws. Pack: 5 cards/ box.

Code	Size	Finish	List/cd
CD747-3.5-32	3.5" x 3.5"	St. Steel	\$ 21.90
CD747-4-32	4" x 4"	St. Steel	26.17



**BUTT HINGES**

**IDH SOLID BRASS  
BUTT HINGES**

Standard weight,  
Plain bearing.  
Full Mortise, Square corner  
Butt hinge with button tips.



Ball Tips available at an additional cost.

Packed: 1 pair per box with screws.

Code	Size	Finish	List/pr
83030-015	3" x 3"	Satin Nickel	\$ 45.80
83030-10B	3" x 3"	Oil R. Bronze	52.57
83535-015	3.5" x 3.5"	Satin Nickel	52.12
83535-10B	3.5" x 3.5"	Oil R. Bronze	57.63
84040-015	4" x 4"	Satin Nickel	58.44
84040-10B	4" x 4"	Oil R. Bronze	62.68
84545-015	4.5" x 4.5"	Satin Nickel	78.86
84545-10B	4.5" x 4.5"	Oil R. Bronze	83.91

**IDH SOLID BRASS  
BALL TIPS**



Packed: 4 each/box, sold per each.

Code	Description	List/ea
88100-015	Ball Tip, Satin Nickel	\$ 3.59
88100-10B	Ball Tip, Oil R Bronze	3.59

**STANLEY SOLID BRASS DOOR HINGES**

Square Corner & Round Corner

Solid Brass door hinges.  
For use on interior doors  
when hollow core or other  
light weight doors are  
used. Non-rising pin. Hole  
in bottom tip for easy pin  
removal. Polished Brass  
finish. Carded, one hinge  
per card with wood screws.  
Pack: 5 cards/ box.



CDRD759-4

Code	Description	List/cd
CD749-312	Sq. Corner, 3.5" x 3.5"	\$ 21.53
CD749-4	Sq. Corner, 4" x 4"	22.99
CDRD759-312	5/8" Radius, 3.5" x 3.5"	19.77
CDRD759-4	5/8" Radius, 4" x 4"	23.01

**STANLEY SOLID BRASS HINGE TIPS**

To be used on the above brass Stanley  
hinges. Made of solid brass.  
2 ea. per card, 5 cards per ctn.



Ball

Code	Description	List/cd
CD750	Ball Tips, Polished Brass	\$ 15.52

**BUTT HINGES**

**ERIC MORRIS SOLID BRASS BUTT HINGES**

Plain & Ball Bearing, Standard Weight



Screw-On  
Finial Tips



11-BF  
Ball

For use on wood or hollow metal doors and frames. Solid extruded brass with stainless steel pin. Finials are threaded into the barrel to prevent the pin from rising. Packed with button tips. Other finial tips can be ordered seperately.

Pack: 1 pr. per box with screws

**Plain Bearing**

Code	Size	Finish	List/pr
11-3535-605	3.5" x 3.5"	Polished Brass	\$ 74
11-3535-613	3.5" x 3.5"	Oil R. Bronze	74
11-3535-619	3.5" x 3.5"	Satin Nickel	74
11-4040-605	4" x 4"	Polished Brass	84
11-4040-613	4" x 4"	Oil R. Bronze	84
11-4040-619	4" x 4"	Satin Nickel	84
11-4040-605NL	4" x 4"	Brass, No Lacquer	84
11-4545-613	4.5" x 4.5"	Oil R. Bronze	94
11-4545-619	4.5" x 4.5"	Satin Nickel	94

**Ball Bearing**

Code	Size	Finish	List/pr
11-4040BB-613	4" x 4"	Oil R. Bronze	\$ 96
11-4040BB-619	4" x 4"	Satin Nickel	96
11-4545BB-613	4.5" x 4.5"	Oil R. Bronze	108
11-4545BB-619	4.5" x 4.5"	Satin Nickel	108

**Finial Tips - Screw-on 4/set**

11-BF-605	Ball	Polished Brass	\$ 45
11-BF-613	Ball	Oil Rubbed Bronze	45
11-BF-619	Ball	Satin Nickel	45

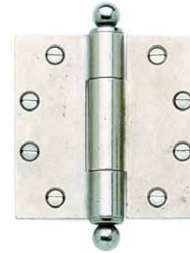
**ROCKY MOUNTAIN HARDWARE - BUTT HINGES**

Solid Bronze. 7/8" Barrel. All Special Order.



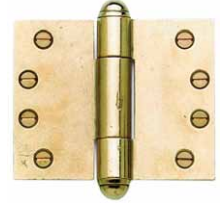
HNG4  
4" x 4"

Shown in Silicon  
Bronze Rust Patina  
w/ Std. Finial Tip



HNG4.5  
4.5" x 4.5"

Shown in White  
Bronze Light Patina  
w/ Ball Finial Tip



HNG4x5  
4" x 5"

Shown in Silicon  
Bronze Light Patina  
w/ Dome Finial Tip



HNG5  
5" x 5"

Shown in White  
Bronze Dark Patina  
w/ Steeple Finial Tip



HNG7x5  
7" x 5"

Shown in  
Silicon Bronze  
Dark Patina  
w/ Acorn  
Finial Tip



CAP 1  
Standard



CAP 2  
Ball



CAP 3  
Dome



CAP 4  
Steeple



CAP 5  
Acorn

Hinges and caps are available in all ten Rocky Mountain Metal/Patina combinations. Hinge #s specify 7/8" barrel size. Prices shown below include hinge and any style cap. **Special Order Only.**

Code	Size	List/ea	List/pr
HNG4	4" x 4"	\$ 164	\$ 328
HNG4.5	4.5" x 4.5"	165	330
HNG4x5	4" x 5"	170	340
HNG5	5" x 5"	176	352
HNG7x5	7" x 5"	198	396

**BRASS DOOR HINGES**

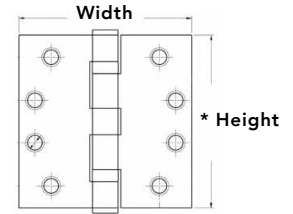
**BALDWIN FULL MORTISE HINGES**

Solid Extruded Brass - Standard Weight

Full mortise hinges are accurately machined for precise installation and smooth movement. Knuckles are milled to a clearance of .010" (.3mm) to eliminate friction wear. Special threaded tip design allows complete interchangeability of tip finials with all full mortise hinges.



**BALDWIN**



Supplied with Button Tips

\* Height of hinge is always first dimension not including tip.

**PLAIN BEARING - Solid Brass**

Solid extruded brass hinges. Stainless steel pin. Supplied with button tips. Other decorative tips available at extra cost (see next page). Template screw location for use on either wood or hollow metal doors & frames. NRP (Non-Removeable Pins) stocked in some sizes. One each per box with wood and machine screws.

Pack: One each/box

Code	Size	003	060	030,050,102,112	150,151,260,264	402,452
1030-XXX-I	3" x 3"	\$ 45.50/ea.	-		\$ 35.39/ea.	\$ 45.50/ea.
1035-XXX-I	3.5" x 3.5"	48.53	38.42		37.41	48.53
1040-XXX-I*	4" x 4"	51.56	41.45		41.45	51.56
1045-XXX-I	4.5" x 4.5"	54.59	-		44.48	54.59

**BALL-BEARING - Solid Brass**

Ball-Bearing, Solid Brass. Stainless steel pin. Supplied with button tips. Other decorative tips available at extra cost (see next page). Template screw location for use on either wood or hollow metal doors & frames. For standard weight doors and closers. NRP (Non-Removable Pins) stocked in some sizes. 1 each per box with wood and machine screws.

Pack: One each/box

Code	Size	003	060	030,102,112	150,151,260
1041-XXX-I	4" x 4"	\$ 60.66/ea.	\$ 50.55/ea.		\$ 50.55/ea.
1046-XXX-I	4.5" x 4.5"	63.69	-		53.58
1051-XXX-I	5" x 5"	-	-		76.84

**Finish Codes**

003 - Lifetime Pol. Brass	102 - Oil R. Bronze	260 - Polished Chrome
030 - Polished Brass	112 - Venetian Bronze	264 - Dull Chrome
050 - Satin Brass & Black	150 - Satin Nickel	402 - Dist. Oil R. Bronze
060 - Satin Brass & Brown	151 - Ant. Nickel	452 - Dist. Ant. Nickel



**BRASS DOOR HINGES**

**BALDWIN DECORATOR HINGE TIPS**

Solid Brass

Solid Brass hinge finials can be used on all hinges shown on previous page. Sold per pair.



<u>Code</u>	<u>Finial</u>	<u>Stock Finishes</u>	<u>List/pr</u>
1090-XXX-I	Ball	003 030,050,060,102, 112,150,151,260	\$ 16.18 14.15
1091-XXX-I	Urn	(Special Order)	14.15
1092-XXX-I	Acorn	102,112	14.15
1093-XXX-I	Steeple	102,112,150,151	14.15

Other finishes available Special Order.

Finish Codes

003 - Lifetime Pol. Brass	112 - Venetian Bronze
030 - Polished Brass	150 - Sat. Nickel
050 - Satin Brass & Black	151 - Ant. Nickel
060 - Satin Brass & Brown	260 - Polished Chrome
102 - Oil Rubbed Bronze	

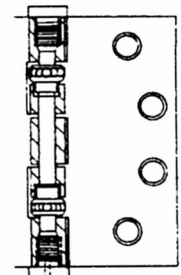
**BALDWIN BALL BEARING HINGE TEMPLATE**



**Ball-Bearing:**  
No. 1041  
No. 1046  
No. 1051



Button Tip



Construction

**Solid Brass • Standard Weight • Ball-Bearing**

- Equipped w/two permanently lubricated, anti-friction ball-bearing assemblies.
- All hinges have template screw hole locations for use on either wood or hollow metal doors and frames.
- Pins are manufactured from precision ground, stainless steel material.
- All tips threaded into the barrel of the hinge to prevent pin from rising.
- Tip finials are completely interchangeable with all full mortise hinge sizes.
- Furnished standard with solid brass Phillips head wood screws, undercut, fully threaded to the head.
- Inner leaf is beveled to prevent weather elements from entering through the hinge.
- Available with a Non-Removable Pin (NRP) feature.



**WIDE THROW**

**HAGER WIDE THROW**

**FULL MORTISE BALL-BEARING HINGE**



Standard Weight  
Wide Throw  
WTBB1279

This full mortise ball-bearing steel hinge is for use on average frequency and/or medium weight wood or metal doors in schools, hospitals, and other public buildings where medium traffic is experienced and it is necessary to open the door around a large reveal. Full mortise only on jambs and doors. Stocked in USP (Prime Coat).

2 each per ctn.

Code	Finish	Size	List/ea
WTBB1279-P-3.5X5	Prime	3.5" x 5"	\$ 51.74
WTBB1279-P-4X6	Prime	4" x 6"	55.99
WTBB1279-P-4.5X6	Prime	4.5" x 6"	65.81

(Other sizes and finishes are available special order)

**DOOR HINGES, HEAVY DUTY**

**FULL MORTISE BALL-BEARING HINGE**

**All Special Order**



Heavy Weight

McKinney: T4A3386  
T4A3786

Full mortise ball-bearing hinge. Extra heavy weight for use on high frequency and/or heavy wood or metal door in schools, hospitals, or other public buildings where heavy traffic prevails. 3 ea/box.

**Solid Brass or Stainless Steel - Special Order**

Code	Finish	Size	List/ea
T4A3386-26D-4.5	Dull Chrome	4.5" x 4.5"	\$ 84.77
T4A3386-10B-4.5	Oil R. Bronze	4.5" x 4.5"	96.43
T4A3386-32D-4.5	Stnls. Steel	4.5" x 4.5"	112.35
T4A3386-26D-5-4.5	Dull Chrome	5" x 4.5"	118.00
T4A3386-10B-5-4.5	Oil R. Bronze	5" x 4.5"	135.00
T4A3386-32D-5-4.5	Stnls. Steel	5" x 4.5"	127.00
T4A3386-26D-5	Dull Chrome	5" x 5"	129.00
T4A3386-10B-5	Oil R. Bronze	5" x 5"	150.00
T4A3386-32D-5	Stnls. Steel	5" x 5"	127.00

**Plain Steel - Special Order**

Code	Finish	Size	List/ea
T4A3786-26D-4.5	Dull Chrome	4.5" x 4.5"	\$ 57.00
T4A3786-10B-4.5	Oil R. Bronze	4.5" x 4.5"	67.00
T4A3786-P-4.5	Prime Coat	4.5" x 4.5"	53.00
T4A3786-26D-5-4.5	Dull Chrome	5" x 4.5"	65.00
T4A3786-10B-5-4.5	Oil R. Bronze	5" x 4.5"	77.00
T4A3786-P-5-4.5	Prime Coat	5" x 4.5"	61.00
T4A3786-26D-5	Dull Chrome	5" x 5"	65.00
T4A3786-10B-5	Oil R. Bronze	5" x 5"	86.00
T4A3786-P-5	Prime Coat	5" x 5"	61.00

## SUGATSUNE

### 3-WAY ADJUSTABLE CONCEALED HINGE

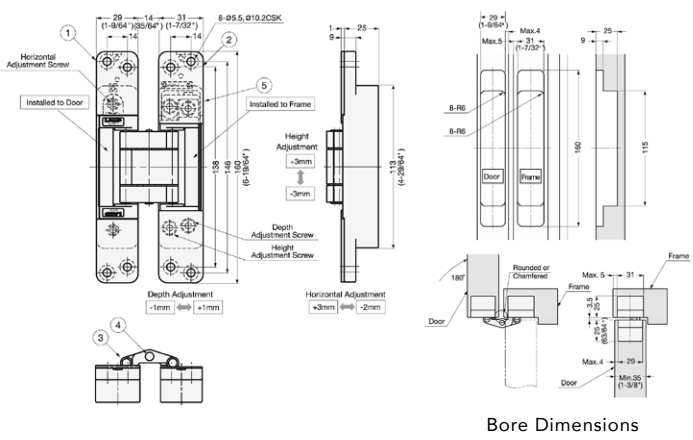
HES3D-160 - Load Cap: 99 lbs/ 2 hinges



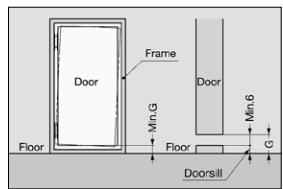
Special Order

- 3-Way adjustment function allows vertical, horizontal, and depth adjustment after hinge installed
- Easy installation / removal

- Supplied with stainless steel flat head screw
- Cover hides all screw heads for clean appearance
- Door weight: Max. 99 lbs / 2 pcs, 132 lbs / 3 pcs.
- Door thickness: Min 1-3/8"
- Max. Door Size: 78-47/64" H x 35-7/16" W
- Recommended to use only 2 hinges per door for best adjustability



No.	Part Name	Material	Finish / Color
1	Body	Zinc Alloy	Matte Silver Matte Gold
2	Base Frame	Zinc Alloy	
3	Arm	Aluminum	
4	Shaft	304 Stainless Steel	
5	Cover	ABS	



To determine the door and frame dimension, (G) must be taken into account.  
G= Min. 6mm + doorsill

Special Order / Sold per each.

Code	Finish	List/ea
HES3D-160SL	Matte Silver	\$ 160.00
HES3D-160GL	Matte Gold	160.00

## ADJUSTABLE CONCEALED HINGES

### 3-WAY ADJUSTABLE CONCEALED HINGE

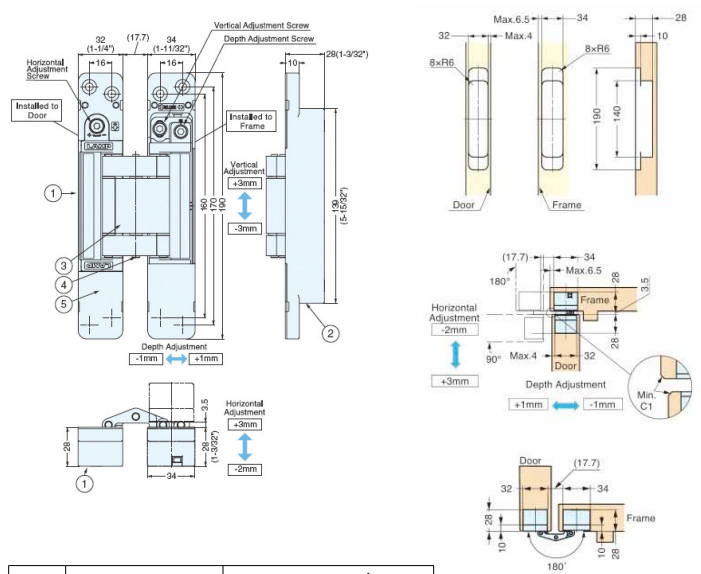
HES3D-E190 - Load Cap: 220 lbs/ 2 hinges



**HES3D-E190**  
**Economy Adjustable Hinge**

- 3-Way adjustment function allows vertical, horizontal, and depth adjustment after hinge installed
- Easy installation / removal

- Successfully passed 300,000 open/close private cycle tests
- Supplied with steel flat head screw
- Cover hides all screw heads for clean appearance
- Door weight: Max 220 lbs / 2 pcs, 275 lbs / 3 pcs.
- Door thickness: Min 1-1/2"
- Max Door size: 94-1/2" H x 35-7/16" W
- Stocking Dull Chrome and Black finishes



No.	Part Name	Material
1	Body	Zinc Alloy
2	Base Frame	Zinc Alloy
3	Arm	Aluminum
4	Pin	304 Stainless Steel
5	Cover	ABS

Sold per each.

Code	Finish	List/ea
HES3D-E190DC	Dull Chrome	\$ 106.16
HES3D-E190BL	Black	106.16

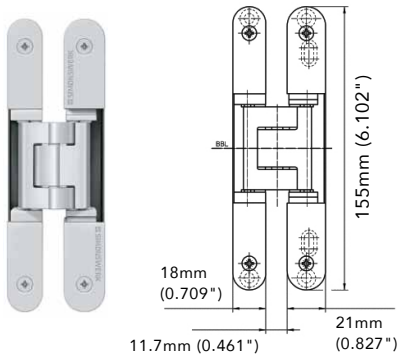


ADJUSTABLE CONCEALED HINGES

SIMONSWERK

SIMONSWERK 3-WAY ADJUSTABLE HINGES

TE-240-3D / 88 lbs/pr.

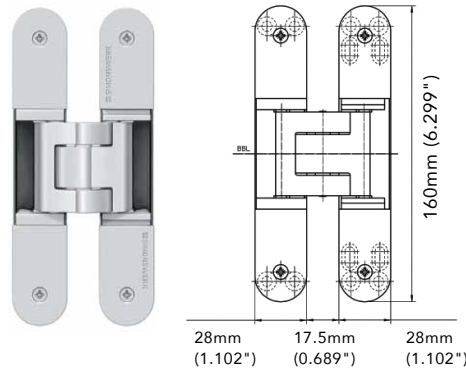


For 1-3/8" Door Min.

**3D Adjustment:**

Side +/- 3.0mm (0.118"),  
Height +/- 3.0mm (0.118"),  
Compression +/- 1.5mm (0.059").

TE-340-3D / 176 lbs/pr.

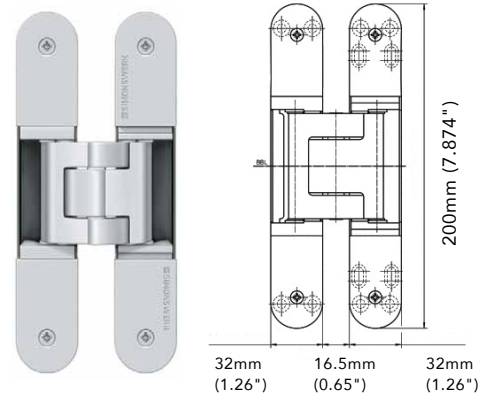


For 1-3/4" Door Min.

**3D Adjustment:**

Side +/- 3.0mm (0.118"),  
Height +/- 3.0mm (0.118"),  
Compression +/- 1.0mm (0.039").

TE-540-3D / 264 lbs/pr.

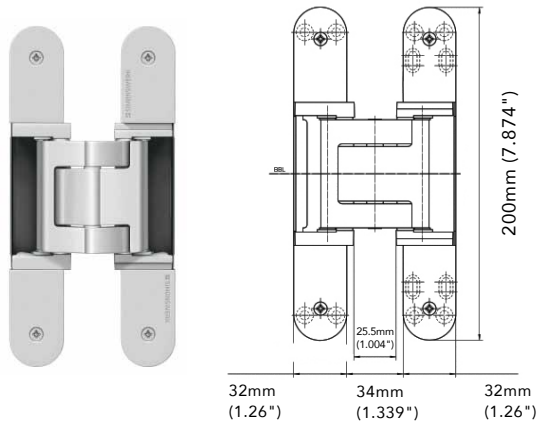


For 1-3/4" Door Min.

**3D Adjustment:**

Side +/- 3.0mm (0.118"),  
Height +/- 3.0mm (0.118"),  
Compression +/- 1.0mm (0.039").

TE-540-3D A8 / 200 lbs/pr.  
For doors with claddings of up to 8mm (.315")

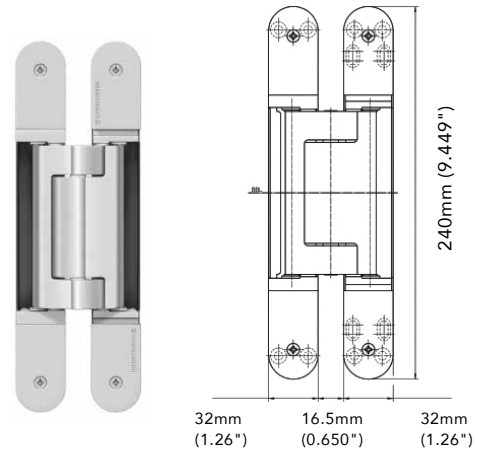


For 1-3/4" Door Min.

**3D Adjustment:**

Side +/- 3.0mm (0.118"),  
Height +/- 3.0mm (0.118"),  
Compression +/- 1.0mm (0.039").

TE-640-3D / 440 lbs/pr.  
For high performance commercial doors



For 1-3/4" Door Min.

**3D Adjustment:**

Side +/- 3.0mm (0.118"),  
Height +/- 3.0mm (0.118"),  
Compression +/- 1.0mm (0.039").

Completely concealed for flush doors with wood, steel or aluminum frames. Opening angle up to 180°, non-handed. Load Capacity refers to 2 hinges per door leaf. Maintenance free bearings. See next page for stock #s, finish choices and pricing.



**SIMONSWERK**

**ADJUSTABLE CONCEALED HINGES**

**SIMONSWERK 3-WAY ADJUSTABLE HINGES Cont.** Finish Options / Routing Templates

Powder Coated Finishes



F1 / Satin Chrome Look



F2 / Satin Nickel Look



UMBER / Rustic Umber



MDB / Matte Deep Black

Plated Finishes



SN / Satin Nickel

Galvanic/Liquid Coated



SSL / Stainless Steel Look  
(Rated "warmer" in color than F1 or F2, almost "champagne")

**CONCEALED HINGES**

<u>88 lbs/ 2 hinges</u>	<u>Finish</u>	<u>List/ea</u>
TE-240-3D-F1	Satin Chrome Look	\$ 115.08
TE-240-3D-F2	Satin Nickel Look	109.35
TE-240-3D-SSL	Stainless Steel Look	137.20
TE-240-3D-SN	Satin Nickel	206.88
TE-240-3D-UMBER	Rustic Umber	138.27

<u>176 lbs/ 2 hinges</u>		<u>List/ea</u>
TE-340-3D-F1	Satin Chrome Look	\$ 132.01
TE-340-3D-F2	Satin Nickel Look	132.01
TE-340-3D-SSL	Stainless Steel Look	152.22
TE-340-3D-SN	Satin Nickel	230.45
TE-340-3D-MDB	Matte Deep Black	156.49
TE-340-3D-UMBER	Rustic Umber	156.49

**CONCEALED HINGES**

<u>264 lbs/ 2 hinges</u>		<u>List/ea</u>
TE-540-3D-F1	Satin Chrome Look	\$ 206.88
TE-540-3D-F2	Satin Nickel Look	206.88
TE-540-3D-SSL	Stainless Steel Look	259.40
TE-540-3D-SN	Satin Nickel	381.58
TE-540-3D-UMBER	Rustic Umber	254.04

<u>200 lbs/ 2 hinges</u>		<u>List/ea</u>
TE-540-3D-A8-F1	Satin Chrome Look	\$ 224.03
TE-540-3D-A8-F2	Satin Nickel Look	224.03
TE-540-3D-A8-SSL	Stainless Steel Look	277.61
TE-540-3D-A8-SN	Satin Nickel	396.78

<u>440 lbs/ 2 hinges</u>		<u>List/ea</u>
TE-640-3D-F1	Satin Chrome Look	\$ 276.56
TE-640-3D-F2	Satin Nickel Look	276.56
TE-640-3D-SSL	Stainless Steel Look	345.16

**ROUTING TEMPLATES**

<u>For 240 Hinge</u>	<u>Description</u>	<u>List/ea</u>
RT-DOOR-240	Routing Template, Door	\$ 75.22
RT-FRAME-240	Routing Template, Frame	75.22

<u>For 340 Hinge</u>		
RT-DOOR-340	Routing Template, Door	\$ 62.68
RT-FRAME-340	Routing Template, Frame	62.68

**ROUTING TEMPLATES**

<u>For 540 Hinge</u>	<u>Description</u>	<u>List/ea</u>
RT-540-S1	For TE-540-3D, Step 1	\$ 62.68
RT-540-S2	For TE-540-3D, Step 2	62.68
RT-540-A8-S3	For TE-540-3D-A8, Step 3	62.68

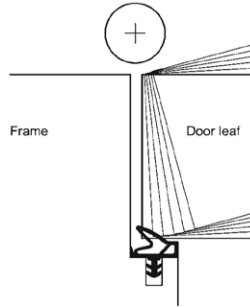
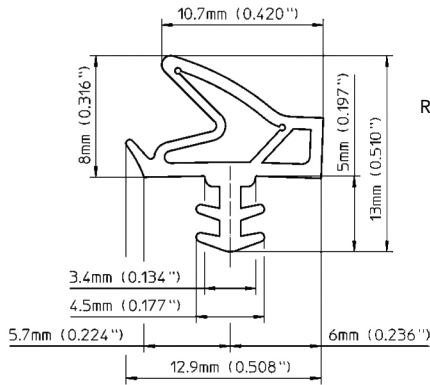
<u>For 640 Hinge</u>		
RT-640-S1	For TE-640-3D, Step 1	\$ 62.68
RT-640-S2	For TE-640-3D, Step 2	62.68



**DOOR GASKET**

**GASKET FROM SIMONSWERK / TECTUS**

Designed for flush exterior and interior door assemblies



- Large contact range to compensate for door warpage
- Low memory loss to maintain functionality
- Excellent physical and thermal properties
- Exceptional resilience
- Smooth and consistent closing pressure
- Temperature range from -104°F to +356°F
- Highly resistant to aging, weather, UV light and ozone

**Technical Data**

Material	Thermoplastic elastomer (TPE)
Width	12mm (0.472")
Depth	13mm (0.512")

**Colors**

Beige	similar to RAL 1004
Rustic brown	similar to RAL 8014
Black	similar to RAL 9004
White	similar to RAL 9016

Application Range: Smoke Resistance, Soundproof

Pack: 82' per bag. Full Bags Only.

Code	Finish	List/bg
GASKET-BE	Beige	\$ 65.88
GASKET-BR	Rustic Brown	65.88
GASKET-BL	Black	65.88
GASKET-WH	White	65.88

**SOSS DOOR HINGES**

**SOSS INVISIBLE HINGES**

Completely hidden from view when doors or lids are closed. Creates flush, smooth surfaces. Made from heavy duty rust-proof zinc alloy castings. An installing template to exact size is included w/each pair. Hinge dimensions are given for size of front plates. Dull Brass and Dull Chrome finishes available, other finishes available special order.



**For Full Size Wood/Metal Doors**

1 each/box

Code	Finish	Plate Size	Min Wd Thknss	List/ea
216-	Dull Brass	1" x 4-5/8"	1-3/8"	\$ 51.18
216US26D	Dull Chrm	1" x 4-5/8"	1-3/8"	51.15
218	Dull Brass	1-1/8" x 4-5/8"	1-3/4"	54.46
218US26D	Dull Chrm	1-1/8" x 4-5/8"	1-3/4"	54.46
220C	Dull Brass	1-3/8" x 5-1/2"	2"	89.26
220US26D	Dull Chrm	1-3/8" x 5-1/2"	2"	89.98

**SOSS HINGE ROUTER GUIDE TEMPLATES**



Installation of SOSS hinges has never been easier or faster. A perfect routed outline is foolproof, you can expect a perfect installation every time.

All List for \$ 46.73 ea.

Code	For Hinge	Code	For Hinge
101-IT	101	212-IT	212
103-IT	103	216-IT	216
203-IT	203	218-IT	218
204-IT	204	220-IT	220
208-IT	208		

**Needed with SOSS Hinge Templates:**

Code	Description	List/ea
42024	3/4" template guide	\$ 10.53
42237	Locknut for template guides	6.15

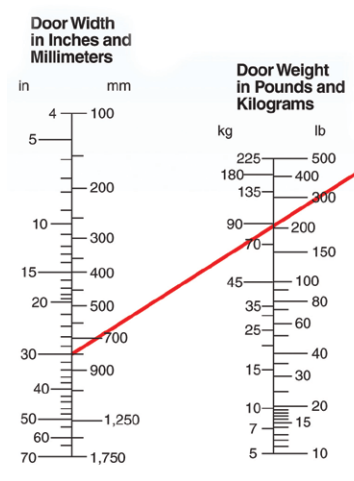
**Choose the right Soss hinges. See Chart next page.**

# SOSS HINGES

## SOSS INVISIBLE HINGES - CHOOSING THE RIGHT HINGE

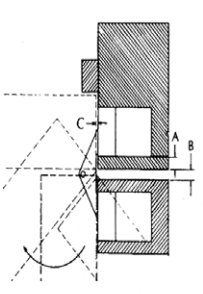
Directions: After determining the weight and width of the door, locate the value on the two scales and connect with a straight line that continues to line "A". Draw a line perpendicular to the rules in the table until you reach the proper wood thickness. Use the number and size indicated on this line.

Example: A wood door 30" wide, 200 lbs, with a thickness of 1-3/4" will require four #218 SOSS Invisible Hinges. The red line shows how the sizing and selection were determined from the nomograph.



Hinge Number	114	314	205	106	100	101	303	103	203	204	208	212	216	218	220					
Door Material	METAL				WOOD & METAL															
Minimum Door Thickness	14.29mm	9/16	15.88mm	5/8	12.70mm	1/2	17.46mm	11/16	19.05mm	3/4	25.40mm	1	28.56mm	1 1/8	34.93mm	1 3/8	44.45mm	1 3/4	50.80mm	2
Number of Hinges Required	4	4	3	3	4	3	4	4	4	3	3	3	2	2	2	2	2	2	2	2

Typical Path and Clearance for Hinged Door when fully opened

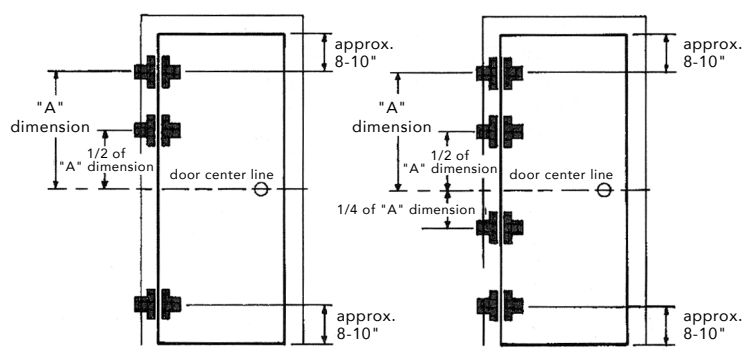


HINGE NO.	A		B		C	
	INCH	MM	INCH	MM	INCH	MM
101	3/32	2.4	7/64	2.78	1/32	0.8
103	1/8	3.2	1/8	3.18	1/32	0.8
303	1/8	3.2	1/8	3.18	1/32	0.8
314	6/32	4.0	1/8	3.16	3/32	2.4
203	1/8	3.2	7/64	2.78	1/32	0.8
204	1/8	3.2	7/64	2.78	1/16	1.6
206	5/32	4.0	9/64	3.57	3/64	1.2
212	3/16	4.8	6/32	3.97	3/64	1.2
216	1/4	6.4	7/32	5.66	1/16	1.6
218	1/4	6.4	3/8	9.53	3/64	1.2
220	9/32	7.1	1/2	12.7	1/16	1.6

Selector chart based on theoretical values. For extreme conditions consult factory.

### Recommended Spacing:

Notice in the illustration showing three hinges, that the "center" hinge is not shown in the usual location near the center of the door. The "center" hinge should be located one-half the distance from the horizontal center line of the door to the center line of the top hinge. On installations requiring four SOSS hinges, the second hinge from the top should be located one half the distance from the doors horizontal center line to the center line of the top hinge. The third hinge from the top should be located one-quarter of the "A" dimension below the horizontal centerline of the door.



## SPRING HINGES

### BOMMER HEAVY DUTY FULL MORTISE SPRING BUTT HINGES



4310 (Sq. Corner)



4311 (1/4 Radius)

Heavy duty, full mortise, spring butt hinges. 1 pair per box, 25 pair per carton.

**4310:** Square Corner, Sizes avail: 3.5 x 3.5, 4 x 4

**4311:** 1/4 Radius, Sizes avail: 3.5 x 3.5, 4 x 4

Code	Size	Finish	List/pr
4310-640-3.5	3.5" x 3.5"	Oil R. Bronze	\$ 44.55
4310-632-3.5	3.5" x 3.5"	Pol. Brass	46.22
4311-632-3.5	3.5" x 3.5"	Pol. Brass	57.63
4310-640-4	4" x 4"	Oil R. Bronze	52.41
4310-646-4	4" x 4"	Dull Nickel	56.32
4310-647-4	4" x 4"	Ant. Nickel	55.16
4310-651-4	4" x 4"	Pol. Chrome	54.77
4311-633-4	4" x 4"	Dull Brass	43.07

### MAXIMUM DOOR SIZE & WEIGHT

1 Spring Hinge	2 Spring Hinges	3 Spring Hinges
3'0" x 7'0" 45 lbs.	3'0" x 7'0" 75 lbs.	3'0" x 7'0" 105 lbs.

**NOTE:**

- Use a 3.5" x 3.5" Spring Hinge for a 1-3/8" door.
- Use a 4" x 4" Spring Hinge for a 1-3/4" door.
- More than one Spring Hinge may be required for wide or heavy doors or where air or wind pressure is present.

### STANLEY DOOR-CLOSING SPRING HINGE

Use wherever self-closing doors are required. Looks & performs like a premium concealed bearing hinge.



Anti-friction bearing takes both vertical and lateral loads, coil spring design, fully adjustable up or down, standard template, fits regular butt mortises. Non-handed. With wrench, adjusting pin & directions. Carded, one hinge per card, 5 cards/box. Satin Brass finish.

Code	Size	Finish	List/cd
CD2060-3.5-4	3.5" x 3.5"	Satin Brass	\$ 30.33
CD2060-4-4	4" x 4"	Satin Brass	29.68

### HAGER FULL MORTISE SPRING HINGE

Hager 1250



For automatic closing of door. Meets codes for hotels, motels, institutions and commercial buildings. Three each per box with wood and machine screws.

Code	Size	Finish	List/ea
1250-10B-4	4" x 4"	Oil R. Bronze	\$ 32.06
1250-15-4	4" x 4"	Satin Nickel	31.76
1250-26D-4	4" x 4"	Dull Chrome	27.70
1250-3-4	4" x 4"	Pol. Brass	29.13
1250-4-4	4" x 4"	Dull Brass	19.71
1250-26-4	4" x 4"	Pol. Chrome	27.70
1250-10B-4.5	4.5" x 4.5"	Oil R. Bronze	47.64
1250-26D-4.5	4.5" x 4.5"	Dull Chrome	45.60
1250-15-4.5	4.5" x 4.5"	Satin Nickel	51.75
1250-26-4.5	4.5" x 4.5"	Pol. Chrome	40.24

Size	Max Door Wt.	Spring Hinge	Ball-Bearing Hinge
4" x 4"	60	1	2
	85	2	1
	110	3	-
4.5" x 4.5"	70	1	2
	115	2	1
	150	3	-

**SPRING HINGES**

**COMMERCIAL GRADE SPRING HINGES**

UL Listed



- Square Corner
- UL Listed
- 4 x 4" size: 0.133" ga.
- 4.5 x 4.5" size: 0.134" ga.

Code	Size	Finish	List/ea
H44S-00OB	4" x 4"	Oil R Bronze	\$ 19.56
H44S-00SC	4" x 4"	Satin Chrome	17.02
H44S-00SN	4" x 4"	Satin Nickel	17.02
H45S-00OB	4.5" x 4.5"	Oil R Bronze	23.48
H45S-00SC	4.5" x 4.5"	Satin Chrome	20.42
H45S-00SN	4.5" x 4.5"	Satin Nickel	20.42

**PARKER DOUBLE ACTION SPRING HINGE**



No hanging strip required. Adjustable spring tension. For door thickness of 3/4" to 1-1/4". Dull Brass Finish.

Packed 1 pair per box with screws.

Code	Door Weight	Size	List/pr
070-4-3	30 lbs.	3"	\$ 29.96
070-4-4	50 lbs.	4"	31.09

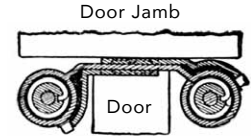
**BOMMER & MCKINNEY HINGE EQUIVALENTS**

<b>Bommer</b>	<b>=</b>	<b>McKinney</b>	<b>Bommer</b>	<b>=</b>	<b>McKinney</b>
170	=	35	7112	=	4007
2100	=	3005	7122	=	4007MRB
2200	=	4005	7512	=	8007
3029 to 7"	=	1001	H7512	=	H8007
3029 over 7"	=	9001	7801	=	17001
4310	=	1502	7811	=	3001
4313	=	1572	7812	=	J3001

**BOMMER DOUBLE ACTION SPRING BUTT HINGE**



No Hanging strip required. Button Tips, Plated Steel. Non-template, non-handed. 1 pair per box with screws.



Code	Finish	Size	List/pr
3029-600-3	Prime Coat	3"	\$ 93.65
3029-603-3	Zinc Plate	"	113.48
3029-633-3	Dull Brass	"	110.98
3029-632-3	Pol. Brass	"	119.47
3029-640-3	Oil R. Bronze	"	153.30
3029-600-4	Prime Coat	4"	\$ 95.78
3029-603-4	Zinc Plate	"	120.06
3029-633-4	Dull Brass	"	112.37
3029-632-4	Pol. Brass	"	126.09
3029-640-4	Oil R. Bronze	"	161.81
3029-600-5	Prime Coat	5"	\$ 131.88
3029-603-5	Zinc Plate	"	155.43
3029-633-5	Dull Brass	"	155.43
3029-632-5	Pol. Brass	"	181.72
3029-640-5	Oil R. Bronze	"	223.79
3029-600-6	Prime Coat	6"	\$ 146.60
3029-603-6	Zinc Plate	"	171.28
3029-633-6	Dull Brass	"	171.28
3029-632-6	Pol. Brass	"	201.12
3029-640-6	Oil R. Bronze	"	246.74

**3029 HINGE SELECTION FOR MAXIMUM DOOR SIZE**

Item #	2 Hinges		3 Hinges		Door Thickness	Min Door Height
	Door Weight	Door Width	Door Weight	Door Width		
3029-3	35	2'-0"	39	2'-8"	3/4" - 1"	5'-0"
3029-4	60	2'-4"	75	3'-0"	7/8" - 1-1/4"	6'-8"
3029-5	65	2'-8"	93	3'-0"	1-1/8" - 1-1/2"	6'-8"
3029-6	75	3'-0"	107	3'-0"	1-1/4" - 1-3/4"	7'-0"



**PIVOT HINGES**

**BOMMER HORIZONTAL SPRING PIVOT HINGE**

Light Duty



Ball-bearing, double action with hold-open at 85°. Non-adjustable spring tension. Non-handed. Plated side plate hides spring. For 1-1/8" to 1-3/4" doors. Load Cap: 35 lb/set. One set per box with screws.

Code	Finish	List/set
7801-632	Polished Brass	\$ 62.69
7801-633	Dull Brass	53.49
7801-603	Zinc Plate	50.16
7801-639	Dull Bronze	54.28
7801-652	Dull Chrome	67.42
7801-640	Oil Rubbed Bronze	74.05
7801-646	Satin Nickel	67.42

Model 7802 includes Jamb Attaching Plate (for concrete or tile floors) available **Special Order**.

**BOMMER & MCKINNEY HINGE EQUIVALENTS**

<u>Bommer</u>	=	<u>McKinney</u>	<u>Bommer</u>	=	<u>McKinney</u>
170		35	7112		4007
2100		3005	7122		4007MRB
2200		4005	7512		8007
3029 to 7"		1001	H7512		H8007
3029 over 7"		9001	7801		17001
4310		1502	7811		3001
4313		1572	7812		J3001

**BOMMER HORIZONTAL SPRING PIVOT HINGE**

Medium Duty



For 1-1/8" to 1-3/4" doors. Ball-bearing double action; hold open feature, will stay open at 90°, adjustable spring tension. Plated side plate hides spring. Load Cap: 90 lb/set. One set/box with screws.

Code	Finish	List/set
7811-600	Prime Coat	\$ 86.05
7811-633	Dull Brass	90.49
7811-603	Zinc Plate	94.89
7811-639	Dull Bronze	96.68
7811-632	Polished Brass	110.84
7811-651	Polished Chrome	137.71
7811-652	Dull Chrome	128.81
7811-646	Satin Nickel	118.99
7811-640	Oil Rubbed Bronze	131.30
7811-647	Antique Nickel	131.30

**With Jamb Plate attachment:**

7812-633	Dull Brass	\$ 101.94
7812-603	Zinc Plate	98.01
7812-632	Polished Brass	119.47
7812-652	Dull Chrome	128.81
7812-640	Oil Rubbed Bronze	141.94
7812-646	Satin Nickel	128.81
7812-651	Polished Chrome	141.94

**TOP PIVOT ASSEMBLY (Spare Part)**

For Bommer 7811 and 7812 Spring Pivot Hinges.



Code	Finish	Ctn	List/ea
7890-603	Zinc Plate	1 ea.	\$ 15.21

8

**PIVOT AND SPRING HINGES**

**BOMMER DOUBLE ACTION PIVOT GRAVITY HINGE**

7512

For dwarf louvre doors generally installed in pairs. For doors 7/8" to 1-5/8" thickness.

1 set/box with screws.



Standard Non-Hold Open

Code	Finish	List/set
7512-639	Dull Bronze	\$ 51.70
7512-633	Dull Brass	48.38
7512-603	Zinc Plate	50.76
7512-632	Polished Brass	56.77

With 90° Hold-Open Feature in either direction

7512H-639	Dull Bronze	53.67
7512H-633	Dull Brass	52.68
7512H-603	Zinc Plate	53.67

**GRAVITY PIVOT HINGE SET**

60857



Double action gravity type, nylon bearing. For doors 3/4" to 1-3/4" thick, weighing 25-30 lbs. 1 pr/set. 5 sets/box.

Code	Finish	List/set
60857	Brass Plated	\$ 16.38

**BOMMER DOUBLE ACTION LOUVRE DOOR SPRING HINGE**



Button tip, for doors weighing 18 lbs. or less. Wrought steel construction with powerful oil-tempered steel springs. Overall height: 2-3/4". Adjustable tension. 1 pair per box with screws.

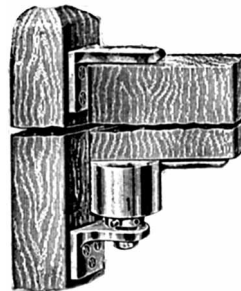
For Door Thickness: 1-1/8" to 1-1/2"

1515-633	Dull Brass	List/pr. \$ 76.29
----------	------------	-------------------

With 90° Hold-Open Feature:

1515-633H	Dull Brass	List/pr. \$ 103.10
-----------	------------	--------------------

**McKINNEY BALL-BEARING SPRING PIVOT HINGE**  
Special Order Only



Double action hinge, surface mounted. For office gate or dwarf doors.

Adjustable spring tension. Wood thickness: 1-1/8" to 2-1/2". 1 set per box with screws.  
Special Order Only.

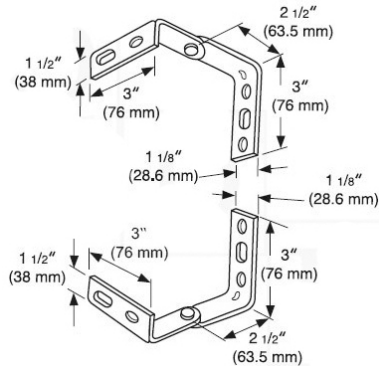
4007RB-26D	Dull Chrome	List/set \$ 496.00
------------	-------------	--------------------

Mortised w/fixed tension:

4007MRB-26D	Dull Chrome	List/set \$ 496.00
-------------	-------------	--------------------

**PIVOT AND SPRING HINGES**

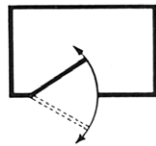
**STANLEY PIVOT HINGE**



For doors up to 150 lbs. 1-3/8" to 1-3/4" thick. Ideal for plastic laminated doors and wardrobe doors. Bearings take both vertical & lateral loads. Designed for mullion mounting. Doors can be installed floor to ceiling. Made of heavy .200 gauge steel. Full 180° opening. Reversible. One right hand and one left hand hinge per set. 1 set/box with screws.

<u>Code</u>	<u>Finish</u>	<u>List/set</u>
327-26D	Dull Chrome	\$ 56.81

**McKINNEY EP-5 DOUBLE ACTING DOOR PIVOT**  
**Special Order**



SIZE OF COMPONENTS

Bottom Door Pivot	4-3/8" x 1" x 1/4"
Header Pivot	4-1/8" x 7/8" x 1/4"
Top Door Pivot	4-1/8" x 1" x 1/4"
Bottom Jam Pivot	3" x 1-1/4" x 1/4"

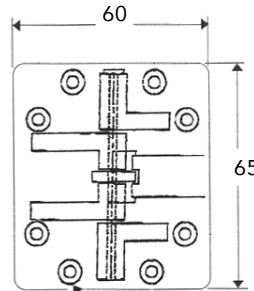
Use on average frequency double acting interior doors in schools, hospitals, etc. Do not use on doors exceeding 135 lbs. Header pivot is solid brass. Top door pivot has oil impregnated porous metal bearing & rounded corners. Bottom jamb is solid brass with 1/4" vertical adjustment. Bottom door pivot has an anti-friction bearing unit & rounded corners. Pivot pt: 1-1/4" from jamb. Full mortise only on jambs and doors. 1 set/ctn.

<u>Code</u>	<u>Finish</u>	<u>List/set</u>
EP5J-26D	Dull Chrome	\$ 190.00

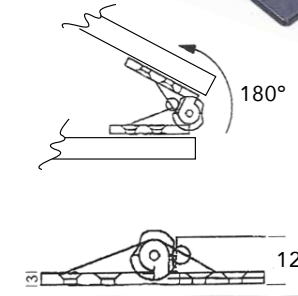
**FOLDING DOOR HINGE**

Spring loaded

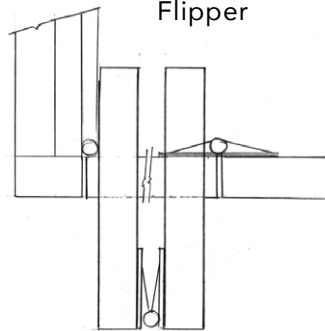
21050 Hinge



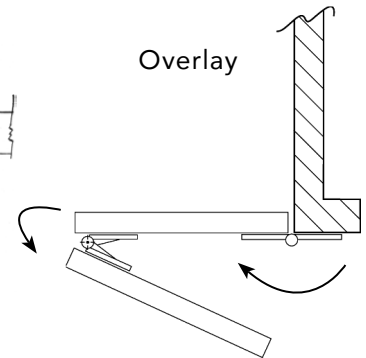
3.5x7-8 c'sink



Flipper



Overlay



Flipper Doors Closed



Doors Open w/ Flipper Door

Folding door hinge with adjustable tension. Spring loaded, door can lock in straight or folded position. Excellent for oversized entertainment center doors and flipper doors w/four doors. Sold per each.

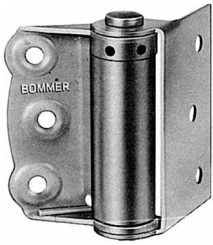
<u>Code</u>	<u>Finish</u>	<u>Ctn</u>	<u>List/ea</u>
21050	Black	20 ea.	\$ 4.43

**BOMMER**

**SCREEN DOOR HINGES**

**HALF SURFACE SCREEN DOOR HINGE**

Bommer



Detachable loose pin, adjustable tension. Wrought steel. Size: 2-3/4". One pair per box with screws.

<u>Code</u>	<u>Finish</u>	<u>List/pr</u>
2930-633	Dull Brass	\$ 23.31
2930-603	Dull Zinc	23.31
2930-632	Polished Brass	29.83

**FULL SURFACE SCREEN DOOR HINGE**

Bommer



Detachable loose pin, adjustable tension. Wrought steel. Size: 2-3/4" x 2-3/4". One pair per box with screws.

<u>Code</u>	<u>Finish</u>	<u>List/pr</u>
2920-633	Dull Brass	\$ 23.07
2920-603	Dull Zinc	23.47
2920-632	Polished Brass	29.07

**FULL SURFACE HEAVY DUTY SCREEN DOOR SPRING HINGE**

Bommer



Full Surface, Heavy Duty screen door hinge. Enclosed coil spring, adjustable tension. Size: 3" x 3". One pair per box with screws.

<u>Code</u>	<u>Finish</u>	<u>List/pr</u>
2100-633	Dull Brass	\$ 36.17

**HALF SURFACE HEAVY DUTY SCREEN DOOR SPRING HINGE**

Bommer



Half Surface, Heavy Duty screen door hinge. Enclosed coil spring, adjustable tension. Size: 3". One pair per box with screws.

<u>Code</u>	<u>Finish</u>	<u>List/pr</u>
2200-633	Dull Brass	\$ 35.35
2200-603	Dull Zinc	35.45
2200-632	Polished Brass	44.88

**BOMMER & MCKINNEY HINGE EQUIVALENTS**

<u>Bommer</u>	=	<u>McKinney</u>	<u>Bommer</u>	=	<u>McKinney</u>
170	=	35	7112	=	4007
2100	=	3005	7122	=	4007MRB
2200	=	4005	7512	=	8007
3029 to 7"	=	1001	H7512	=	H8007
3029 over 7"	=	9001	7801	=	17001
4310	=	1502	7811	=	3001
4313	=	1572	7812	=	J3001

**GATE HARDWARE**

**STANLEY ORNAMENTAL THUMB LATCH**

CD1290

For ornamental gates from gardens, patios, etc. Up to 2-5/8" thick. Heavy gauge steel, zinc plated dull black finish. Reversible for right or left hand applications.

Latch Bar. Grip Length: 6-1/8". 1 ea/cd. w/screws.  
Length: 3-11/16",  
Handle length: 10.5"



<u>Code</u>	<u>Ctn</u>	<u>List/cd</u>
CD1290	5 Cards/box	\$ 18.18

**STANLEY ORNAMENTAL TEE HINGE**

CD1291

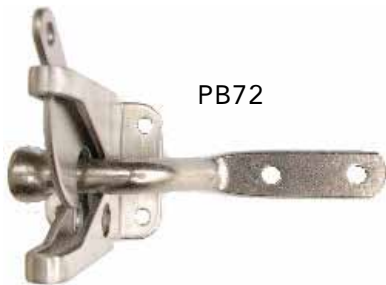


CD1291

For ornamental gates in your garden or patio areas, etc. Heavy gauge steel, dull black finish is zinc plated first. Loose pin for right or left-hand application. Length of strap: 7-5/16". One pair per card with screws.

<u>Code</u>	<u>Ctn</u>	<u>List/cd</u>
CD1291	5 Cards/box	\$ 23.31

**GRAVITY GATE LATCH**



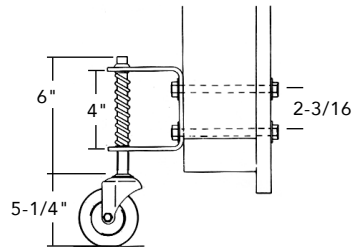
PB72

Gravity Gate Latch. Wrought steel with 4-5/8" long latch bar. Zinc Plated.

<u>Code</u>	<u>Ctn</u>	<u>List/ea</u>
PB72	20/box	\$ 4.77

**GATE WHEEL**

CGSL4



CGSL4

The Gate Wheel is ideal for uneven walkways. Helps support heavy gates. (Spring must be fully depressed to install.) Overall Ht: 11-1/4". Rubber wheel.

<u>Code</u>	<u>Load Cap</u>	<u>Wheel Dia.</u>	<u>List/ea</u>
CGSL4	240 lbs.	4"	\$ 43.41