

SCHLAGE "A" SERIES LOCKS

"A" SERIES

ANSI Grade 2 (A156.2 Series 4000)

Applications: A Series - Heavy duty residential, light and medium commercial.

Keying: 6 pin tumbler with two nickel silver keys per lock. Stock locks are keyed 5 pin.

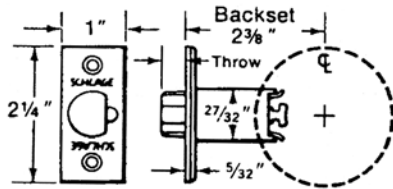
Door Range: A Series - 1-3/8" to 1-7/8" standard.

Backset: A Series - 2-3/8" standard. Non standard - 2-3/4"

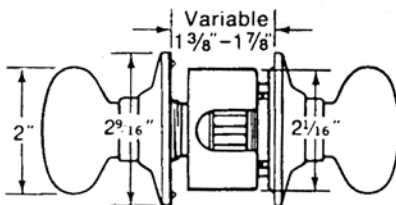
Standard Features - "A"

- Cylindrical lock housings. Cold rolled steel mechanisms, zinc dichromated for corrosion resistance.
- Demountable outside knobs for easy cylindrical replacement.
- Solid Brass six pin cylinders.
- No exposed mounting screws.
- Adjustable brass or bronze latch faceplates and strikes, furnished in compatible lock trim finishes.
- "A" Series locks are field reversible.

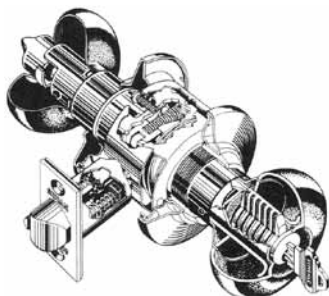
PANIC PROOF: Inside knob is always free.



Cross Bore: 2-1/8"
Edge Bore: 7/8"

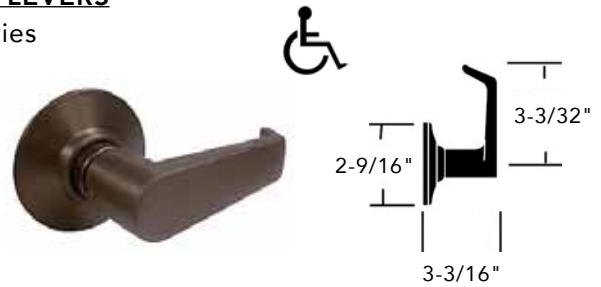


10-001 Standard T-Strike
Size: 2-3/4" x 1-1/8" x 3/32"
Lip: 1-1/8"
For 1-3/8" and 1-3/4" doors



LEVON LEVERS

"A" Series



Pack: 20/ctn.

Code	Function	Finish	List/ea
A170L626	Sgl Dummy	626	\$ 72
A10L613	Passage	613	178
A10L626	Passage	626	142
A40L613	Privacy	613	178
A40L626	Privacy	626	142

GEORGIAN KNOBS

"A" Series



GEORGIAN

Symbol: GEO
Rose: 2-9/16" Dia.
Proj: 2-1/4"
Knob Dia: 2-3/16" outside,
2-1/8" inside

Pack: 20/ctn.

Code	Function	Finish	List/ea
A10G605	Passage	605	\$ 157
A10G609	Passage	609	157
A40G605	Privacy	605	157
A53G609	Entry	609	267

Finish Codes

605 - Bright Brass 613 - Oil R. Bronze
609 - Satin Brass 626 - Satin Chrome



SCHLAGE "A" LOCKS

SCHLAGE "A" LOCKS: Panic Proof - Inside Knob Always Free

For Heavy Duty Residential and Standard Duty Commercial Buildings

"A" Series locks are field reversible.

3



PLYMOUTH

Symbol: PLY
Rose: 2-9/16" Dia.
Proj: 2-1/4"
Knob Dia: 2-3/16" outside,
2-1/8" inside



ORBIT

Symbol: ORB
Rose: 2-9/16" Dia.
Proj: 2-5/8"
Knob Dia: 2-1/8" outside,
2-1/8" inside

PLYMOUTH KNOBS - "A" Series

Pack: 20/ctn.

Code	Function	Finish	List/ea
A170P605	Dummy, Sgl. Knob	605	\$ 79
A170P626	" " "	626	72
A170P630	" " "	630	91
A10P605	Passage	605	157
A10P613	"	613	179
A10P626	"	626	142
A10P630	"	630	178
A10P613-2.75	" 2-3/4" BS	613	178
A10P626-2.75	" 2-3/4" BS	626	142
A30P626-2.75	Patio	626	191
A40P605	Privacy	605	157
A40P605-625	"	605x625	157
A40P613	"	613	178
A40P626	"	626	142
A40P630	"	630	178
A40P626-2.75	" 2-3/4" BS	626	178
A53P605	Entry	605	269
A53P605-2.75	" 2-3/4" BS	605	269
A53P613	"	613	290
A53P626	"	626	253
A53P630	"	630	289
A53P613-2.75	" 2-3/4" BS	613	289
A53P626-2.75	" 2-3/4" BS	626	253
A53P626-2.75-EKWY	Entry "E" Kwy	626	253
A70P626	Classroom	626	253
A80P605	Storeroom	605	267
A80P613	"	613	289
A80P626	"	626	253

ORBIT KNOBS - "A" Series

Pack: 20/ctn.

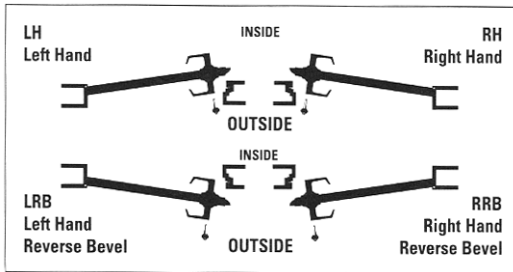
Code	Function	Finish	List/ea
A170O613	Dummy, Sgl. Knob	613	\$ 90
A170O626	" " "	626	72
A10O613	Passage	613	179
A10O626	"	626	142
A10O626-2.75	" 2-3/4" BS	626	142
A40O613	Privacy	605	178
A40O626	"	626	142
A40O626-2.75	" 2-3/4" BS	626	142
A53O605	Entry	605	269
A53O613	"	613	290
A53O625	"	625	268
A53O626	"	626	253
A53O626-2.75	" 2-3/4" BS	626	253
A70O626	Classroom	626	253
A80O626	Storeroom	626	253

Finish Codes

605 - Bright Brass	609 - Ant. Brass
613 - Oil R. Bronze	625 - Bright Chrome
626 - Satin Chrome	630 - Sat. Stn. Steel

SCHLAGE "AL" SERIES

SCHLAGE HANDING CHART



When standing outside a room or house and facing the door: if hinges are on your right, order a RH lock, if hinges are on your left order a LH lock.

"AL" SERIES COMMERCIAL LOCK SETS

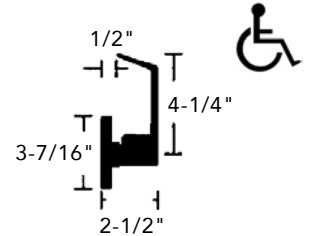
For standard duty commercial interior and exterior doors, the "AL" series utilizes the Schlage original A-series cylindrical chassis supported by a heavy duty spring cage.

Certifications: ANSI A156.2, Series 4000 Grade 2. UL Listed for all functions up to 3-hour doors. Levers meet ADA standards and CA fire codes.

6 pin tumbler with 2 keys per lock.
Door Range: 1-3/8" to 1-7/8" standard.
Backset: 2-3/4" standard.

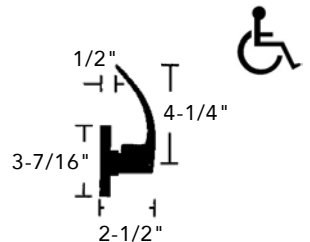
Latches are adjustable for flat or bevelled doors. Standard square corner strike is the 10-025 with a 1-3/16" lip. Strike size is 1-1/4" x 4-7/8". Roses are wrought brass and bronze. Levers are pressure cast plated zinc. "AL" Series locks are field reversible.

SATURN



Code	Function	605	613	625	626
AL10SA	Passage	\$ 202	\$ 224	--	\$ 188
AL40SA	Privacy	--	250	--	214
AL170SA	Dummy	--	127	--	107
AL50SA	Entry/Office	--	297	--	273
AL53SA	Entry	287	308	287	273
AL70SA	Classroom	--	308	--	273
AL80SA	Storeroom	--	308	--	273

NEPTUNE



Code	Function	605	613	625	626
AL10N	Passage	--	224	--	188
AL40N	Privacy	--	250	--	214
AL170N	Dummy	--	--	--	107
AL50N	Entry/Office	--	--	--	273
AL53N	Entry	--	308	--	273
AL80N	Storeroom	--	308	--	273

Finish Codes

605 - Polished Brass 625 - Polished Chrome
613 - Oil Rubbed Bronze 626 - Satin Chrome

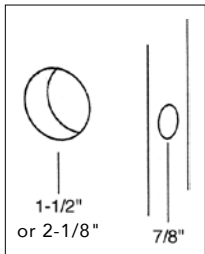
SCHLAGE "B" SERIES DEADBOLTS

SCHLAGE "B" SERIES DEADBOLTS

Standard and Heavy Duty

3 Hardened steel mounting screws, solid brass cylinders. Hardened steel rollers in stainless steel deadbolts. Prevent cutting and sawing attacks.

Installation: For hollow metal and wood doors and frames. Uniform application, completely reversible for RH or LH doors.

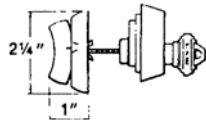


Door Prep

Cross Bore: 1-1/2" or 2-1/8"

Edge Bore: 7/8" or 1"

Keying: 5 pin tumbler "C" keyway.



Variable for 1-3/8" to 1-3/4" thick doors.

Square Corner Deadbolt Latch

1" x 2-1/4" Faceplate.

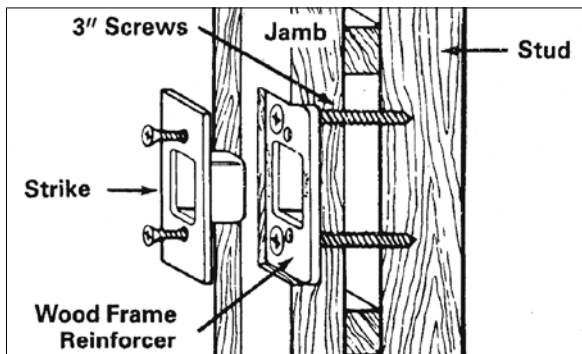
Strike plate: 1-1/8" x 2-3/4"

Std. latch except where noted.

Backset adjusts for 2-3/8" or 2-3/4".



Wood Frame Reinforcer - With All Deadbolts!



This Schlage patented device strengthens the wooden jamb against "kick-in" attack and enhances the strength of the lock mechanism. This exclusive product is concealed beneath the strike and is firmly anchored to the jamb with two 3" screws.

STANDARD DUTY

B560 Series Deadbolts

Overall diameter: 2-1/2", Projection: 1-1/16", Cross Bore: 1-1/2". For residential and commercial. ANSI 156.5, 2001 Grade 2 certification.



SINGLE CYLINDER - 1" Throw

Deadbolt outside key cylinder, inside thumbturn. 7/8" dia. housing, Face-plate: 1" x 2-1/4". Backset adjusts for 2-3/8" or 2-3/4".

Code	Finish	List/ea
B560P605	Bright Brass	\$ 77.85
B560P609	Antique Brass	77.85
B560P613	Oil R Bronze	96.09
B560P619	Satin Nickel	83.16
B560P625	Bright Chrome	80.96
B560P626	Satin Chrome	73.60

DOUBLE CYLINDER - 1" Throw

B562 Deadbolt

Deadbolt, key cylinder both sides. 7/8" dia. housing. Face-plate: 1" x 2-1/4". Backset adjusts for 2-3/8" or 2-3/4".



Code	Finish	List/ea
B562P605	Bright Brass	\$ 103.04
B562P613	Oil R Bronze	114.24

DOOR BOLT B580

Deadbolt thrown or retracted by turn unit only. No outside trim. Bolt automatically deadlocks when fully thrown. Requires 1-1/2" cross bore prep.



Code	Finish	Ctn	List/ea
B580626	Satin Chrome	4 ea.	\$ 59.92

DOOR BOLT WITH TRIM B581

Deadbolt thrown or retracted by turn unit only. Outside blank plate. Bolt automatically deadlocks when fully thrown.



Code	Finish	Ctn	List/ea
B581626	Satin Chrome	4 ea.	\$ 55.48

SCHLAGE "B" SERIES DEADBOLTS

SCHLAGE B250 DEADLATCH

Grade 2 Residential

With key cylinder outside, thumb turn inside. With a 1-1/8" square corner latch and strike. Holdback feature retains deadlatch in a retracted position when desired. 1" throw. Backset: 2-3/8".



Code	Finish	Ctn	List/ea
B250N605	Bright Brass	20 ea.	\$ 239.12
B250N613	Oil R Bronze	20	272.59
B250N626	Satin Chrome	20	254.03

B252 Double Cylinder Deadlatch

Code	Finish	Ctn	List/ea
B252N605	Bright Brass	20 ea.	\$ 326.55
B252N626	Satin Chrome	20	319.48

B300 DEADBOLT LATCH

Adjustable for 2-3/8" or 2-3/4" Backset. Adjustable for 7/8" or 1" housing.



Code	Finish	List/ea
12-300-605	Bright Brass	\$ 25.16

SCHLAGE B60 DEADBOLT

Grade 1 Residential

Key cylinder outside, thumb turn inside. Latch face: 1" x 2-1/4", round or square corner face plate, 7/8" housing dia, 1" throw. Adjustable Backset: 2-3/8" or 2-3/4". Rounded housing helps prevent sledge hammer break-ins. Dia: 2-1/2", Proj: 11/16", Cross Bore: 1-1/2" or 2-1/8" Edgebore: 1", Strike plate: 1-1/8" x 2-3/4".



3

B60 Single Cylinder Deadbolt

Code	Finish	Pack	List/ea
B60V505	Lifetime Pol. Brass	Vis Pk	\$ 65.72
B60V626	Dull Chrome	Vis Pk	62.99
B60N505	Lifetime Pol. Brass	Box Pk	60.66
B60N605	Bright Brass	Box Pk	52.57
B60N609	Antique Brass	Box Pk	58.64
B60N613	Oil R Bronze	Box Pk	64.70
B60N619	Satin Nickel	Box Pk	58.64
B60N620	Antique Pewter	Box Pk	64.70
B60N625	Bright Chrome	Box Pk	58.64
B60N626	Dull Chrome	Box Pk	58.64

B62 Double Cylinder Deadbolt

Code	Finish	Pack	List/ea
B62N505	Lifetime Pol. Brass	Box Pk	\$ 85.94
B62N605	Bright Brass	Box Pk	77.85
B62N613	Oil R Bronze	Box Pk	89.98
B62N625	Bright Chrome	Box Pk	83.91
B62N626	Dull Chrome	Box Pk	83.91

Adapter Rings



38-031: 2-1/2" dia. adapter ring for 2-1/8" door prep, fits under cylinder. For BC160 & B250

38-032: 2-7/8" dia. adapter ring for 2-1/8" door prep, for under turn units/ blankroses. For B250.

Code	Finish	List/ea
38-031-605	Bright Brass	\$ 11.22
38-032-626	Dull Chrome	16.68

SCHLAGE "B" SERIES

SCHLAGE B660 HEAVY DUTY DEADBOLT

Grade 1 Commercial

Key cylinder outside, thumb turn inside. Latch: 1-1/8" x 2-1/4", Square corner faceplate, 1" housing, 1" throw. Dia: 2-1/2" Cross Bore: 1-1/2" or 2-1/8" Proj: 1". Pack 12 each.



Code	Backset	Finish	List/ea
B660605	2-3/8"	Pol. Brass	\$ 178.95
B660613	2-3/8"	Oil R Bronze	197.84
B660625	2-3/8"	Pol. Chrome	178.91
B660626	2-3/8"	Sat. Chrome	183.28
B660605-2.75	2-3/4"	Pol. Brass	178.95
B660613-2.75	2-3/4"	Oil R Bronze	201.84
B660626-2.75	2-3/4"	Sat. Chrome	183.28
B660626-2.75-EKWY	2-3/4"	Sat. Chrome	172.11

B662 Double Cylinder Deadbolt

Code	Backset	Finish	List/ea
B662613	2-3/8"	Oil R Bronze	\$ 238.60
B662626	2-3/8"	Sat. Chrome	220.40
B662613-2.75	2-3/4"	Oil R Bronze	238.60
B662626-2.75	2-3/4"	Sat. Chrome	220.40

DOOR BOLT B680

Deadbolt thrown or retracted by turn unit only. No outside trim. Bolt automatically deadlocks when fully thrown. Requires 1-1/2" cross bore prep.



Code	Backset	Finish	List/ea
B680626-2.75	2-3/4"	Sat. Chrome	\$ 134.46

B600 DEADBOLT LATCH

Square Corner. 1-1/8" x 2-1/4". Housing Dia: 1"



Code	Backset	Finishes Avail	List/ea
12-630	2-3/8"	605, 626	\$ 35.49
12-631	2-3/4"	613, 626	35.49

B250 DEADLATCHES

Faceplates adjustable for flat or beveled doors.



12-100
Standard for 2-3/8"
Backset for B250

12-100: Backset: 2-3/8". Throw: 9/16", Faceplate: 1-1/8" Sq. Corner Flat Bevel Housing Dia: 1". For B250 Series.

Code	Backset	Finish	List/ea
12-100-605	2-3/8"	Pol. Brass	\$ 76.98
12-100-626	2-3/8"	Sat. Chrome	68.05

SCHLAGE "B" LOCK STRIKES



10-055
Strike & Box
Standard for B600



10-094
Strike & Box
Standard for B60

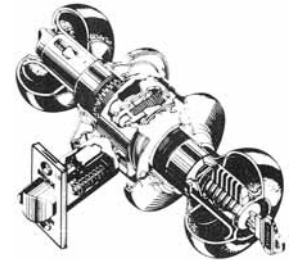
Code	Finish	List/ea
10-055-605	Polished Brass	\$ 13.14
10-055-613	Oil R Bronze	13.67
10-055-626	Satin Chrome	14.49
10-094-605	Polished Brass	\$ 11.42
10-094-613	Oil R Bronze	11.42
10-094-626	Satin Chrome	11.42

"ND" SERIES

"ND" Series Heavy Duty Commercial Locks ANSI Grade 1

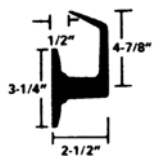
For High Frequency Traffic...the ultimate in durability combined with the finest mechanism and design. Levers meet ADA requirements. Rhodes and Sparta meet California fire codes.

- Construction: Mechanism - Heavy wrought steel zinc plated and dichromated with coil compression springs, roller bearings on latch retractors. Exposed Trim and Parts - Wrought brass, bronze, or stainless steel.
- Keying: Pin tumbler Cylinders - 6 pin tumbler extruded brass cylinder plugs and housing with nickel silver pins and keys, 6 pin keying.
- Installation: For Hollow Metal and Wood Door Frames. Uniform application regardless of function, completely reversible for RH or LH doors. For doors 1-5/8" - 2-1/8" thick with 1-1/8" lip strike. Faceplate: 1-1/8" x 2-1/4", Backset: 2-3/4".

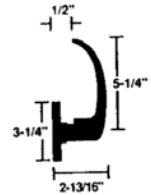


3

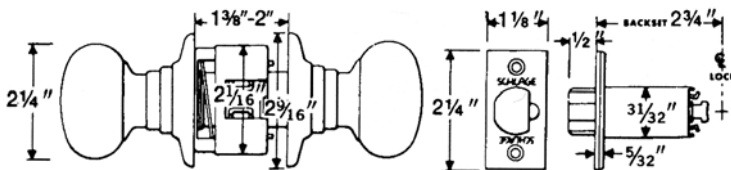
RHODES



SPARTA



"ND" Series - 2-3/4" Backset is Standard
Cross Bore: 2-1/8", Edge Bore: 1"



RHODES Levers - "ND" Series

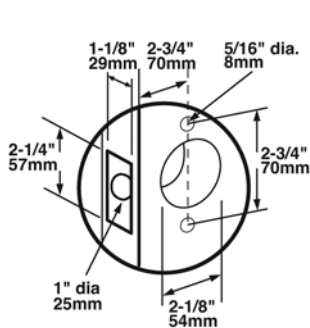
Code	Function	613	626
D10R	Passage	\$ 439	403
D40R	Privacy	498	463
D170R	Dummy	-	172
D50R	Office	583	548
D53R	Entry	583	549
D70R	Classroom	583	549
D80R	Storeroom	583	549

SPARTA Levers - "ND" Series

Code	Function	613	626
D10S	Passage	\$ 439	\$ 403
D40S	Privacy	498	463
D50S	Office	583	548
D53S	Entry	583	549
D70S	Classroom	583	549
D80S	Storeroom	583	549

Finish Codes

- 613 - Oil R. Bronze
- 625 - Pol. Chrome
- 626 - Dull Chrome



10-025
ANSI Strike:
Size: 1-1/4" x 4-7/8"
Lip: 1-3/16"

SCHLAGE "F" SERIES LOCKS

SCHLAGE "F" SERIES LOCKS

Standard Duty Residential ANSI Grade 2

3

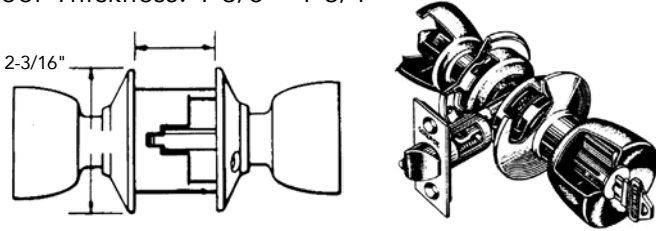
Construction: Engineered for easy installation & durability. Cold rolled steel mechanisms with independent knob & latch springs, all zinc plated & dichromated. Wrought brass and bronze knobs and roses. 1/2" throw deadlocking anti-shim latchbolt.

Keying: Five pin "C" keyway.

Panic Proof: Inside knob is always free.

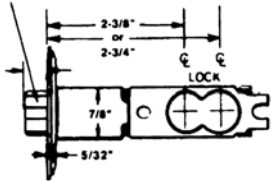
Installation: Completely reversible for RH or LH doors. Cross Bore: 2-1/8". Adjustable backset fits 2-3/8" or 2-3/4". Edge Bore: 7/8".

Door Thickness: 1-3/8" - 1-3/4"

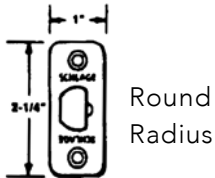


All "F" Series Packed with Round Radius latch and 10-027 round radius strike.

1/2" Throw Standard Backset



10-027
Full Lip, 1/4"
Radius corner Strike



Round
Radius

Finish Codes

- | | |
|----------------------|--------------------|
| 505 - Lifetime Brass | 619 - Satin Nickel |
| 605 - Pol. Brass | 620 - Ant. Nickel |
| 609 - Ant. Brass | 625 - Pol. Chrome |
| 613 - Oil R. Bronze | 626 - Satin Chrome |

ORBIT KNOB

"F" Series



Symbol: ORB
Knob: 2-1/8" Dia.
Rose: 2-3/4" Dia.
Projection: 2-7/8"

Visual Pack:

Code	Function	Finish	Ctn	List/ea
F10O605	Passage	605	12	\$ 32.35
F40O605	Privacy	605	12	39.43

Box Pack:

F170NO505	Dummy	505	30	\$ 17.69
F170NO613	Dummy	613	30	29.32
F170NO625	Dummy	625	30	23.25
F170NO626	Dummy	626	30	23.25
F10NO605	Passage	605	30	32.00
F10NO613	Passage	613	30	44.48
F10NO625	Passage	625	30	38.42
F10NO626	Passage	626	30	38.42
F40NO605	Privacy	605	30	34.37
F40NO605-625	Privacy	605/625	30	40.44
F40NO609	Privacy	609	30	40.44
F40NO613	Privacy	613	30	46.51
F40NO625	Privacy	625	30	40.44
F40NO626	Privacy	626	30	40.44
F51NO505	Entry	505	20	60.66
F51NO609	Entry	609	20	58.64
F51NO613	Entry	613	20	64.70
F51NO625	Entry	625	20	58.64
F51NO626	Entry	626	20	58.64

SCHLAGE "F" SERIES LOCKS

**STANDARD DUTY RESIDENTIAL
PANIC PROOF - Inside Knob Always Free**

**GEORGIAN KNOB
"F" Series**



Symbol: GEO
Knob: 2-1/8" Dia.
Rose: 2-3/4" Dia.
Projection: 2-5/16"

Visual Pack:

Code	Function	Finish	Ctn	List/ea
F170G609	Dummy, 1 ea.	609	12	\$ 22.24
F10G605	Passage	605	12	31.34
F10G609	Passage	609	12	37.41
F10G619	Passage	619	12	37.41
F40G605	Privacy	605	12	33.36
F40G609	Privacy	609	12	39.43
F40G619	Privacy	619	12	39.43
F51G505	Entry	505	12	59.65
F51G609	Entry	609	12	57.63
F51G619	Entry	619	12	57.63

Box Pack:

F170NG609	Dummy	609	30	\$ 17.19
F170NG619	Dummy	619	30	17.19
F170NG620	Dummy	620	30	23.25
F10NG605	Passage	605	30	26.29
F10NG609	Passage	609	30	32.35
F10NG619	Passage	619	30	32.35
F10NG620	Passage	620	30	38.42
F40NG605	Privacy	605	30	28.31
F40NG609	Privacy	609	30	34.37
F40NG609-625	Privacy	609/625	30	34.37
F40NG619	Privacy	619	30	34.37
F40NG620	Privacy	620	30	40.44
F51NG505	Entry	505	20	54.59
F51NG605	Entry	605	20	46.51
F51NG609	Entry	609	20	52.57
F51NG619	Entry	619	20	52.57
F51NG620	Entry	620	20	58.64

**PLYMOUTH KNOB
"F" Series**



Symbol: PLY
Knob: 2-1/8" Dia.
Rose: 2-3/4"
Projection: 2-5/16"

Visual Pack:

Code	Description	Finish	Ctn	List/ea
F170P605	Dummy, 1 ea.	605	12	\$ 15.17
F10P605	Passage	605	12	31.04
F40P605	Privacy	605	12	32.35
F40P605-625	Privacy	605/625	12	38.42
F51P505	Entry	505	12	58.64

Box Pack:

F170NP605	Dummy, 1 ea.	605	30	\$ 10.11
F170NP613	Dummy	613	30	22.24
F170NP619	Dummy	619	30	16.18
F170NP625	Dummy	625	30	16.18
F170NP626	Dummy	626	30	16.18
F10NP505	Passage	505	30	33.36
F10NP605	Passage	605	30	25.28
F10NP613	Passage	613	30	37.41
F10NP619	Passage	619	20	31.34
F10NP625	Passage	625	20	31.34
F10NP626	Passage	626	20	31.34
F40NP605	Privacy	605	30	27.30
F40NP605-625	Privacy	605/625	30	33.36
F40NP613	Privacy	613	30	39.43
F40NP619	Privacy	619	30	33.36
F40NP625	Privacy	625	20	33.36
F40NP626	Privacy	626	20	33.36
F51NP505	Entry	505	20	53.58
F51NP605	Entry	605	20	45.50
F51NP613	Entry	613	20	57.63
F51NP619	Entry	619	20	51.56
F51NP625	Entry	625	20	51.56
F51NP626	Entry	626	20	51.56
F80NP605	Storeroom	605	20	55.61
F80NP626	Storeroom	626	20	61.67

3



SCHLAGE "F" SERIES

SIENA KNOB
"F" Series



Knob: 2-1/2" x 1-1/2" Dia.
Rose: 2-3/4" Dia.
Projection: 2-3/8"

BELL KNOB
"F" Series



Symbol: BEL
Knob: 2" Dia.
Rose: 2-3/4" Dia.
Projection: 2-9/16"

Box Pack:

Code	Function	Finish	Ctn	List/ea
F170NS613	Dummy, 1 ea.	613	20	\$ 37.41
F170NS619	Dummy, 1 ea.	619	20	31.34
F10NS605	Passage	605	20	40.44
F10NS613	Passage	613	20	52.57
F10NS619	Passage	619	20	46.51
F40NS605	Privacy	605	20	42.46
F40NS613	Privacy	613	20	48.53
F40NS619	Privacy	619	20	48.53
F51NS505	Entry	505	20	68.75
F51NS605	Entry	605	20	68.75
F51NS613	Entry	613	20	72.79
F51NS619	Entry	619	20	66.73
F51NS620	Entry	620	20	72.79
F51NS625	Entry	625	20	66.73

Visual Pack:

Code	Function	Finish	Ctn	List/ea
F10B605	Passage	605	12	\$ 30.33
F10B609	Passage	609	12	36.40
F10B626	Passage	626	12	36.40
F40B605	Privacy	605	12	32.35
F40B605-625	Privacy	605x625	12	34.37
F40B609	Privacy	609	12	38.42
F40B626	Privacy	626	12	38.42
F51B505	Entry	505	12	58.64
F51B609	Entry	609	12	56.62
F51B626	Entry	626	12	56.62

Box Pack:

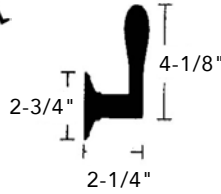
Code	Function	Finish	Ctn	List/ea
F170NB605	Dummy, 1 ea.	605	30	\$ 10.11
F10NB605	Passage	605	30	25.28
F10NB626	Passage	626	30	31.34
F40NB605	Privacy	605	30	27.30
F51NB505	Entry	505	20	53.58

Finish Codes

- | | |
|-------------------------|-----------------------|
| 505 - Lifetime Brass | 619 - Satin Nickel |
| 605 - Polished Brass | 620 - Antique Nickel |
| 609 - Antique Brass | 625 - Polished Chrome |
| 613 - Oil Rubbed Bronze | 626 - Satin Chrome |

SCHLAGE "F" SERIES

ACCENT LEVER
"F" Series



Visual Pack:

Code	Function	Finish	Ctn	List/ea
F170A619*	Dummy, 1 ea.	619	12	\$ 29.32
F10A619	Passage	619	12	59.65
F40A605	Privacy	605	12	56.62
F40A619	Privacy	619	12	62.68
F51A505	Entry	505	12	112.22
F51A619	Entry	619	12	110.20

Box Pack:

F170NA605*	Dummy, 1 ea.	605	30	\$ 18.20
F170NA609*	Dummy, 1 ea.	609	30	24.26
F170NA613*	Dummy, 1 ea.	613	30	30.33
F170NA619*	Dummy, 1 ea.	619	30	24.26
F170NA620*	Dummy, 1 ea.	620	30	30.33
F170NA625*	Dummy, 1 ea.	625	30	24.26
F10NA505	Passage	505	30	56.62
F10NA605	Passage	605	30	48.53
F10NA609	Passage	609	30	54.59
F10NA613	Passage	613	30	60.66
F10NA619	Passage	619	30	54.59
F10NA620	Passage	620	30	60.66
F10NA625	Passage	625	30	54.59
F40NA605	Privacy	605	30	51.56
F40NA605-625	Privacy	605x625	30	57.63
F40NA609	Privacy	609	30	57.63
F40NA613	Privacy	613	30	63.69
F40NA619	Privacy	619	30	57.63
F40NA620	Privacy	620	30	63.69
F40NA625	Privacy	625	30	57.63
F51NA505	Entry	505	30	107.17
F51NA605	Entry	605	30	99.08
F51NA609	Entry	609	30	104.00
F51NA613	Entry	613	20	111.21
F51NA619	Entry	619	20	105.14
F51NA620	Entry	620	20	111.21
F51NA625	Entry	625	20	105.14

* Specify handing on single dummies

FLAIR LEVER
"F" Series



Symbol: FLA
Rose: 2-3/4" Dia.
Projection: 2-1/4"
Lever Length: 4"

Visual Pack:

Code	Function	Finish	Ctn	List/ea
F51F505	Entry	505	12	\$ 112.22

Box Pack:

F170NF605*	Dummy, 1 ea.	605	30	\$ 18.20
F170NF609*	Dummy, 1 ea.	609	30	24.26
F10NF505	Passage	505	20	56.62
F10NF605	Passage	605	20	48.53
F10NF609	Passage	609	30	54.59
F10NF625	Passage	625	30	54.59
F40NF605	Privacy	605	20	51.56
F40NF609	Privacy	609	20	57.63
F40NF625	Privacy	625	20	57.63
F40NF605-625	Privacy	605x625	20	57.63
F51NF505	Entry	505	20	107.17
F51NF605	Entry	605	20	99.08
F51NF609	Entry	609	20	105.14

* Specify handing on single dummies

Finish Codes

505 - Lifetime Brass	619 - Satin Nickel
605 - Polished Brass	620 - Antique Nickel
609 - Antique Brass	625 - Polished Chrome
613 - Oil Rubbed Bronze	626 - Satin Chrome



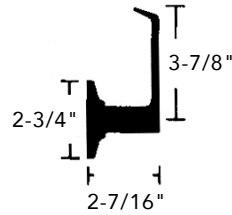
SCHLAGE "F" SERIES

ELAN LEVER
"F" Series



Panic Proof

3



AVANTI LEVER Special Order Only
"F" Series



Rose: 2-3/4" Dia.
Projection: 2-1/4"
Lever Length:
4-1/16" overall

Visual Pack:

Code	Function	Finish	Ctn	List/ea
F10E605	Passage	605	12 ea.	\$ 49.54

Code	Function	Finish	List/ea
F170NAV613	Dummy, 1 ea.	613	\$ 40
F170NAV619	Dummy, 1 ea.	619	34

Box Pack:

F170NE626	Dummy	626	30	\$ 21.23
F10NE605	Passage	605	20	45.50
F10NE626	Passage	626	20	51.56
F40NE605	Privacy	605	20	48.53
F40NE609	Privacy	609	20	54.59
F40NE626	Privacy	626	20	54.59
F51NE505	Entry	505	20	104.13
F51NE626	Entry	626	20	102.11

F10NAV505	Passage	505	66
F10NAV613	Passage	613	70
F10NAV619	Passage	619	64
F40NAV605	Privacy	605	61
F40NAV613	Privacy	613	73
F40NAV619	Privacy	619	67
F51NAV505	Entry	505	126
F51NAV613	Entry	613	130
F51NAV619	Entry	619	114

Finish Codes

- | | |
|----------------------|--------------------|
| 505 - Lifetime Brass | 619 - Satin Nickel |
| 605 - Polished Brass | 625 - Pol. Chrome |
| 609 - Antique Brass | 626 - Satin Chrome |
| 613 - Oil R Bronze | |

LOCK SETS

SCHLAGE

**SCHLAGE "F" LOCKS
DOUBLE SECURITY SETS**

Standard Duty Residential Entry Locks & Deadbolts. Keyed alike and packed together.



FLA



ACC



PLY



BEL



GEO



B60
Deadbolt

Keyed Alike Entry Lock and 1" throw deadbolt are packed together. Furnished w/4 keys. Backset: 2-3/8". Entry Lock comes with a full lip strike, 10-026.

The B60 is a medium duty Grade 1 deadbolt with additional security reinforcement. Comes with "SK" Security Key.

Code	Knob Set	and	Deadbolt	List/ea
FB50A619	F51 Acc 619	+	B60 619	\$ 178.95
FB50B505	F51 Bel 505	+	B60 505	115.59
FB50B626	F51 Bel 626	+	B60 626	125.36
FB50F505	F51 Fla 505	+	B60 505	157.72
FB350G505	F51 Geo 505	+	B60 605	115.71
FB50G609	F51 Geo 609	+	B60 609	126.38
FB50G619	F51 Geo 619	+	B60 619	126.38
FB350P505	F51 Ply 505	+	B60 605	113.68

Finish Codes

- 505 - Lifetime Pol. Brass
- 609 - Antique Brass
- 619 - Satin Nickel
- 626 - Satin Chrome

SCHLAGE "CS" CONTRACTOR SERIES

The Schlage Contractor Series is a 400,000 cycle ANSI Grade 2 product offering intended for light and standard duty application in the light commercial market. "A", "F" and "S" series are UL listed. F Series 2-3/8" - 2-3/4" backset, A Series 2-3/4 backset. T-Strike #10-001.

Commercial Light Duty Locks

Recommended for low usage applications in small office buildings, churches, apartments, condominiums, etc.



ELAN



PLY



ORB



Visual Pack is re-sealable. Pack: 4 each.

Code	Style/Finish	Function	List/ea
CS-F10E626	Elan 626	Passage "F"	\$ 52.19
CS-F10O626	Orbit 626	Passage "F"	37.86
CS-F10P626	Plym 626	Passage "F"	31.44
CS-F40E626	Elan 626	Privacy "F"	56.76
CS-F40O626	Orbit 626	Privacy "F"	33.87
CS-F40P626	Ply 626	Privacy "F"	44.53
CS-F51E626	Elan 626	Entry "F"	113.44
CS-F51P626	Ply 626	Entry "F"	62.59
CS-A53O626	Orbit 626	Entry "A"	93.52

Commercial Standard Duty Locks

Recommended for high usage/high security applications in: office complexes, schools, warehouses, restaurants, etc.



Visual Pack. Packed: 4 each.

Code	Style/Finish	Function	List/ea
CS-S51AP605	Apollo 605	Entry "S"	\$ 106.16

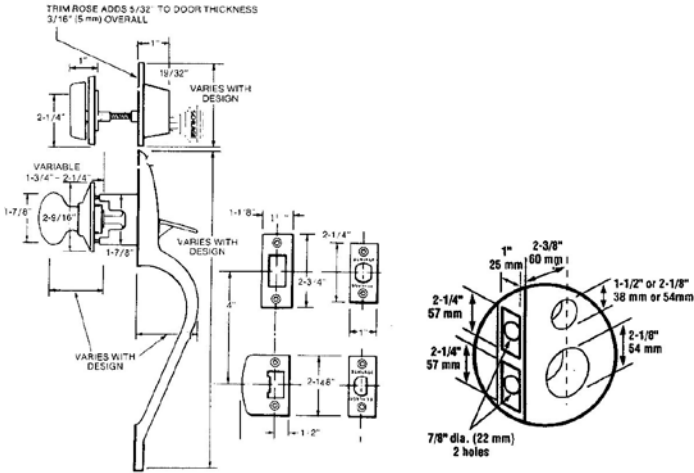
SCHLAGE "F" HANDLE SETS

F58 Exterior + F59 Interior = Complete Handleset

Grip Handle Entrance Lock with Deadbolt

3

Deadbolt thrown or retracted by key from outside or by inside turn. Latch retracted by thumbpiece from outside, by knob from inside.



Material: Grip handles are forged brass, all other exposed trim is wrought brass.

Deadbolt: 1" Throw

Keying: 5 pin tumbler "C" keyway.

Installation: Fits standard door preparation for "A" or "F" series, 2-1/8" lock bore, 1-1/2" bore for cylinder, faceplate size of deadbolt and springlatch 1" x 2-1/4". Completely reversible for RH or LH doors. Door Range: 1-1/8" to 2" thick standard.

Backset: Adjustable for 2-3/8" or 2-3/4". Grade: 2.

OUTSIDE TRIMS



Plymouth

Handle:
2-5/16" x 12-13/32"
Cyl/Rose:
2-9/16" x 3-19/32"

Camelot

Handle:
2-7/8" x 12-7/8"
Cyl/Rose:
2-11/16" x 3-1/4"

INSIDE TRIMS



Accent

Symbol: ACC
Lever: 4-5/32" from C
Rose: 2-3/4" Dia.
Projection: 2-23/32"



Flair

Symbol: FLA
Lever: 4" from C
Rose: 2-9/16" Dia.
Projection: 2-1/4"



Elan

Symbol: ELA
Lever: 3-7/8" from C
Rose: 2-9/16" Dia.
Projection: 2-7/16"



Century



Addison

Handle:
3" x 12-5/8"
Cyl/Rose:
2-7/8" x 3-1/2"



Georgian

Symbol: GEO
Knob: 1-7/8" Dia.
Rose: 2-9/16" Dia.
Projection 2"



Plymouth

Symbol: PLY
Knob: 1-7/8" Dia.
Rose: 2-9/16" Dia.
Projection: 2"



Orbit

Symbol: ORB
Knob: 2-1/8" Dia.
Rose: 2-9/16" Dia.
Projection: 2-5/8"

SCHLAGE "F" HANDLE SETS

OUTSIDE "F58" SERIES HANDLESET TRIM

(See specifications on previous page)



INSIDE "F59" SERIES HANDLESET TRIM



3

"F" SERIES HANDLESET ACTIVE TRIM

1 Outside + 1 Inside Active Trim = Complete Set

F58 Outside Active Trim

Code	Trim Style	Finish	List
F58NC605	Century	Pol. Brass	\$ 142
F58NC625	Century	Pol. Chrome	172
F58NA605	Addison	Pol. Brass	147
F58NA625	Addison	Pol. Chrome	177
F58NC505	Century	Lftm Pol. Brass	177
F58NCA505	Camelot	Lftm Pol. Brass	177
F58NCA605	Camelot	Pol. Brass	142
F58NCA613	Camelot	Oil R. Bronze	192
F58NCA619	Camelot	Sat. Nickel	172
F58NP505	Plymouth	Lftm Pol. Brass	169
F58NP605	Plymouth	Pol. Brass	134
F58NP609	Plymouth	Ant. Brass	164
F58NP613*	Plymouth	Oil R. Bronze	186
F58NP619*	Plymouth	Sat. Nickel	166
F58NP620	Plymouth	Ant. Nickel	184
F58NP625	Plymouth	Pol. Chrome	164

F59 Inside Active Trim

Specify LH or RH for Flair and Accent Levers

F59NF605	Flair	Pol. Brass	\$ 98
F59NF609	Flair	Ant. Brass	104
F59NG605	Georgian	Pol. Brass	76
F59NG609	Georgian	Ant. Brass	82
F59NG619	Georgian	Sat. Nickel	82
F59NG620	Georgian	Ant. Nickel	88
F59NO605	Orbit	Pol. Brass	82
F59NO609	Orbit	Ant. Brass	88
F59NO613*	Orbit	Oil R. Bronze	95
F59NO625	Orbit	Pol. Chrome	88
F59NO626	Orbit	Sat. Chrome	88
F59NA605	Accent	Pol. Brass	98
F59NA609	Accent	Ant. Brass	104
F59NA625	Accent	Pol. Chrome	104
F59NA613*	Accent	Oil R. Bronze	111
F59NA619*	Accent	Sat. Nickel	105
F59NA620	Accent	Ant. Nickel	110
F59NP605	Plymouth	Pol. Brass	75
F59NP613*	Plymouth	Oil R. Bronze	88
F59NP619*	Plymouth	Sat. Nickel	82
F59NP625	Plymouth	Pol. Chrome	81
F59NP626	Plymouth	Sat. Chrome	81

"F" SERIES HANDLESET DUMMY TRIM

F93 Inside & Outside Dummy Trim

Specify LH or RH for Flair and Accent Levers

Code	Outside	x	Inside	List
F93NP605	Ply 605	x	Ply 605	\$ 159
F93NP609G609	Ply 609	x	Geo 609	196
F93NP605F605	Ply 605	x	Flair 605	182
F93P505	Ply 505	x	Ply 605(Vis)	194
F93P505A605	Ply 505	x	Acc 605 (Vis)	217
F93NA619A619	Add 619	x	Acc 619	231

F92 Outside Dummy Trim

F92NC625	Cen 625	Outside Only	\$ 162
F92NP620	Ply 620	Outside Only	174
F92NA619	Add 619	Outside Only	167
F92NC505	Cen 505	Outside Only	167
F92NCA505	Cam 505	Outside Only	167
F92NCA605	Cam 605	Outside Only	132
F92NCA613	Cam 613	Outside Only	182
F92NCA619	Cam 619	Outside Only	162
F92NP505	Ply 505	Outside Only	159
F92NP613	Ply 613	Outside Only	174
F92NP619*	Ply 619	Outside Only	156

F94 Inside Dummy Trim

Specify LH or RH for Accent Levers

F94NA605	Acc 605	Inside Only	\$ 58
F94NA609	Acc 609	Inside Only	64
F94NA620	Acc 620	Inside Only	70
F94NA613	Acc 613	Inside Only	70
F94NA619*	Acc 619	Inside Only	65
F94NG605	Geo 605	Inside Only	36
F94NG619	Geo 619	Inside Only	42
F94NO613	Orb 613	Inside Only	54
F94NP605	Ply 605	Inside Only	35
F94NP613	Ply 613	Inside Only	47
F94NP619	Ply 619	Inside Only	41

SCHLAGE "H" SERIES ENTRANCE LOCKS

"H" SERIES ENTRANCE LOCKS

Deadbolt security combined with cylindrical lock convenience. Simultaneous retraction of bolt and latch safeguards exit.

3

Construction: Stainless steel deadbolts with "anti-cutting" roller inserts - Strike/Frame reinforcer against "kick-in" type attack furnished with all locks - solid brass cylinders protected by tapered rotatable, hardened steel security rings - Lock mechanism standard "A" series. Dual retraction mechanism is encased in cold rolled steel, zinc plated and dichromated. Inside escutcheon wrought brass and bronze.

Standard Pack (STD): 10 locks per case

Backsets: Specify 2-3/8"

Prep: 4" C/C

Keying: 5 pin tumbler "C" Keyway KD only.

Door Thickness: Fits either a 1-3/4" or a 2" thick door.

"H" Series Locks are reversible.

H153 Entrance Lock



Lock Interior

H110 Entrance Lock

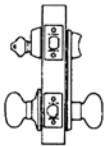


Lock Exterior

FUNCTIONS

H110

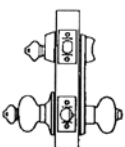
Entrance - Single Locking



Deadbolt thrown or retracted by key in upper lock from outside or by inside turn unit. Latchbolt retracted by either knob. Turning inside knob retracts deadbolt and latchbolt simultaneously for immediate exit.

H153

Entrance - Double Locking



Deadbolt thrown or retracted by key in upper lock from outside or by inside turn unit. Deadlatch retracted by key in outer knob when locked by pushing turn button in inner knob. Outer knob may be fixed in locked position by rotating turn-button. Inside knob retracts deadbolt and deadlatch simultaneously for immediate exit.

"H" SERIES INTERCONNECTED LOCK TRIM



Levon

Symbol: LEV

Lever: 3-1/8" from center

Proj: 2-1/8"



Plymouth

Symbol: PLY

Knob: 2-1/8"



Orbit

Symbol: ORB

Knob: 2-1/8"

H110 and H153 LOCK SETS

Code	Description	Ctn	List/ea
H110L613	Single LEV 613	10	\$ 498
H110L626	Single LEV 626	10	462
H153P605	Double PLY 605	10	476
H153P613	Double PLY 613	10	498
H153P626	Double PLY 626	10	462
H153O613	Double ORB 613	10	498
H153O626	Double ORB 626	10	462

Finish Codes

605 - Bright Brass

613 - Oil R. Bronze

626 - Satin Chrome

SCHLAGE

"S" SERIES LOCKS

SCHLAGE "S" SERIES

Medium Duty Commercial



6 pin tumbler with 2 keys per lock. Stock locks keyed 5 pin. Universal backset latches fit either 2-3/8" or 2-3/4" backsets. Adjustable for flat or bevelled doors. Latches have a 1/2" throw. Door Range: 1-3/8" to 2". Snap-on inside rose conceals mounting screws. Square corner T- Strike, 1-1/8" x 2-1/4" x 3/32", with 1-1/8" lip, furnished with dust box, #10-001 is standard. "S" Series are field reversible.

Certifications: ANSI A156.2, 1989, Series 4000 Grade 2. UL Listed for all functions up to 3-hour doors.

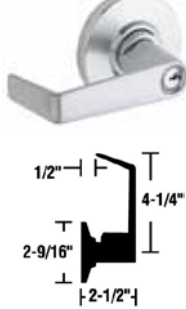
Neptune



Flair



Saturn



Code	Style	Function	Finish	List/ea
S170SA613	Saturn	Sgl Dummy	613	\$ 112
S170SA626	Saturn	Sgl Dummy	626	93
S10F605*	Flair	Passage	605	212
S10SA605	Saturn	Passage	605	212
S10SA613	Saturn	Passage	613	234
S10SA626	Saturn	Passage	626	198
S10N626	Neptune	Passage	626	198
S40SA605	Saturn	Privacy	605	260
S40SA613	Saturn	Privacy	613	282
S40SA625	Saturn	Privacy	625	260
S40SA626	Saturn	Privacy	626	246
S40N626	Neptune	Privacy	626	246
S51F605*	Flair	Entry	605	326
S51SA605	Saturn	Entry	605	326
S51SA613	Saturn	Entry	613	347
S51SA625	Saturn	Entry	625	326
S51SA626	Saturn	Entry	626	311
S51N626	Neptune	Entry	626	311
S70SA613	Saturn	Classroom	613	347
S70SA626	Saturn	Classroom	626	311
S80SA605	Saturn	Storeroom	605	326
S80SA613	Saturn	Storeroom	613	347
S80SA626	Saturn	Storeroom	626	311

* Specify Hand

SCHLAGE "S" SERIES

Interconnected Entrance Locks for Light/Medium Commercial

NEPTUNE



SATURN



The S200 Series combines the "S" series keyed lever with the extra security and safety of a deadbolt with a panic-proof exit. Deadbolt throw: 1" Polished Brass finish. (Lock Specs same as shown under "S" Series in opposite column.) Prep: 4" C/C. Pack: 6 each.

Code	Style	Finish	List/ea
S251N626	Neptune	Sat Chrome	\$ 581
S251SA605	Saturn	Bright Brass	595
S251SA626	Saturn	Sat Chrome	581
S251SA626-2.75	Saturn	Sat Chrome	581

2-3/4" BS

KEYPAD LOCKS

SCHLAGE

Schlage Electronic Keypad Deadbolts & Locks

- Electronic keypad deadbolts and locks are ready to use right out of the box
- Uses Key or Keypad to operate; lock comes with 2 keys
- Add, change or delete up to 19 user codes in seconds
- Comes with a 9-volt battery with an average three-year battery life and low battery indicator
- Easy installation, fits most standard door preparations
- Illuminated, wear-resistant keypad provides easy visibility
- FE Series are field reversible for RH/LH doors

3

FE595 KEYPAD ENTRY LOCKS



Plymouth Keypad (exterior)



Camelot Keypad (exterior)

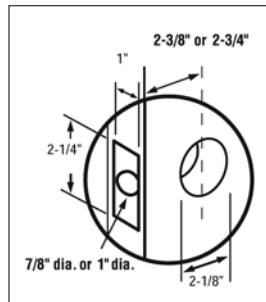


Camelot Keypad / Accent Lever



Plymouth Keypad / Accent Lever

Door Preparation



Code	Out x Ins	Finish	List
FE595CAM613ACC613	Cam x Acc	613	\$ 309.37
FE595CAM619ACC619	Cam x Acc	619	284.09
FE595PLY619ACC619	Ply x Acc	619	281.00

Finish Key

- 613 = Oil Rubbed Bronze
- 619 = Satin Nickel



BE365 KEYPAD DEADBOLT

Shown with **FE285 BOTTOM HALF HANDLESETS**



Plymouth Keypad Deadbolt shown with Plymouth Half Handleset



FE285 Plymouth x Plymouth



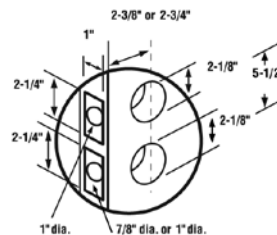
FE285 Camelot x Accent



BE365 Camelot



BE365 Plymouth



Door Prep

BE365 Keypad Deadbolt with FE285 Half Handleset.

Code	Description	Finish	List
FE285CAM619ACC619LH	Cam x Acc, LH	619	\$ 218.38
FE285CAM619ACC619RH	Cam x Acc, RH	619	218.38
FE285PLY613PLY613	Ply x Ply	613	213.32
BE365CAM613	Cam Deadbolt	613	265.89
BE365CAM619	Cam Deadbolt	619	240.62
BE365PLY613	Ply Deadbolt	613	265.89
BE365PLY619	Ply Deadbolt	619	210.00

SCHLAGE

LOCK ACCESSORIES

SCHLAGE STRIKES - Specify Finish



Full Lip,
Sq Corner,
Rounded Strike
10-026



1/4" Radius
Corner Strike
10-027



Standard T-Strike
10-001

Special Order



Strike for ANSI Prep
10-025

Special Order

Full Lip Strike

Code	Size	Lip	List/ea
10-026	2-1/4" x 1-3/4"	1-1/8"	\$ 7.29

Avail finishes: 605, 613, 626, 625

1/4" Radius Corner Strike

Code	Size	Lip	List/ea
10-027	2-1/4" x 1-3/4"	1-1/8"	\$ 6.90

Avail finishes: 605

Standard T-Strike and ANSI Prep Strike available
Special Order only.

SCHLAGE MASTER PINS

Order in multiples of 100



List
\$ 8.09/C

Code	Size	Code	Size
34-202-2	2	34-206-6	6
34-203-3	3	34-207-7	7
34-204-4	4	34-208-8	8
34-205-5	5	34-209-9	9

SCHLAGE BOTTOM PINS

Order in multiples of 100



List
\$ 8.09/C

Code	Size	Code	Size
34-300-0	0	34-305-5	5
34-301-1	1	34-306-6	6
34-302-2	2	34-307-7	7
34-303-3	3	34-308-8	8
34-304-4	4	34-309-9	9

KEYING KIT 40-134

Contains: Top & bottom pins, pin springs, retainer caps, retainer cap pins, Key gauge, and follower bar. Plastic case.



40-134 List \$ 93.40

SCHLAGE KEY BLANKS



Code	Description	Ctn	List/ea
35-100C	5-pin, C Keyway	50 ea.	\$ 1.29
35-101C	6-pin, C Keyway	50	1.72
35-101E	6-pin, E Keyway	50	1.72

3



SCHLAGE PARTS

**Schlage Springlatches
For A, AL, and H Series**

Throw: 3/8"



Specify finish.

Code	Backset	FacePlate/Width	List/ea
11-068	2-3/8"	1" Sq. C, Flat/Bev Housing Dia: 7/8"	\$ 48.90

Finishes: 605, 613, 626

11-116	2-3/4"	1-1/8" Sq. C, Flat/Bev Housing Dia: 1"	\$ 30.33
--------	--------	--	----------

Finishes: 613, 626

**Schlage Deadlatches
For A, AL & H Series**

Throw: 1/2"



Specify finish.

Code	Backset	FacePlate/Width	List/ea
11-085	2-3/8"	1" Sq. C, Flat/Bev Housing Dia: 7/8"	\$ 48.19

Finishes: 605, 613, 626

11-091	2-3/4"	1" Sq. C, Flat/Bev Housing Dia: 7/8"	\$ 48.20
--------	--------	---	----------

Finishes: 605, 613, 626

11-096	2-3/4"	1-1/8" Sq. C, Flat/Bev Housing Dia: 1"	\$ 48.66
--------	--------	--	----------

Finishes: 605, 613, 626

**Schlage Backset
Extension Link
for A, AL & H series**



Code	Description	List/ea
41-005	5" Backset	\$ 17.70

**Schlage Springlatches
For F10S and F40S Locks**



Adjusts to 2-3/8" or 2-3/4" Backset.
Throw: 1/2", Housing Dia: 7/8"

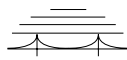
Code	Description	Finish	List/ea
16-200-605	1" Sq Corner	Pol. Brass	\$ 13.65

**Schlage Deadlatches
For F51PD Lock**



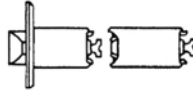
Square Corner, 1" x 2-1/4"
Throw: 1/2", Housing Dia: 7/8".
Polished Brass finish.

Code	Description	List/ea
16-207-605	Adj. 2-3/8" or 2-3/4" BS	\$ 15.06
16-126-605	5" Backset	15.06



SCHLAGE PARTS

**Schlage Backset
Extension Link
for D series**



Code	Description	List/ea
43-005	5" Backset	\$ 21.23

Faceplate Adapter

To adapt 1" faceplate to 1-1/8" door preparation.



Code	Pack	List/ea
A501-878	100 ea.	\$.38

3

"D" SERIES LATCHES



14-001 2-3/4" BS



14-047 2-3/8" BS

Square Corner, 1-1/8" x 2-1/4" (std.)
Housing: 1".

Code	Description	Finishes	List/ea
14-001	Springlatch	605	\$ 60.26
14-047	Deadlatch	613, 626	88.08

Latch Marking Chisel

For "A", "H", "F" and "S" Locks.



Code	List/ea
40-031	\$ 55.91

"S" SERIES DEADLATCHES

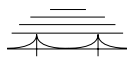
Square Corner. 1" x 2-1/4"
Housing Dia: 7/8"



Code	Backset	Finishes	List/ea
16-203	Adj. 2-3/8" or 2-3/4"	613	\$ 25.38

Finish Codes

- 605 - Polished Brass
- 613 - Oil R. Bronze
- 626 - Satin Chrome



ROCKY MOUNTAIN
H A R D W A R E

3



ROCKY MOUNTAIN HARDWARE MORTISE LOCKS

Rocky Mountain Hardware products are made of solid bronze. Hand applied patinas enhance the hues of the bronze creating an aged appearance. Over time, touch and climate work with the bronze and the patina to create a unique finish. Silicon bronze contains copper, silicon and zinc and is a coppery gold color. White bronze is composed of copper, manganese, nickel and zinc producing a silver color.



SILICON BRONZE LIGHT
BL



SILICON BRONZE MEDIUM
BM



SILICON BRONZE DARK
BD



SILICON BRONZE RUST
BR



SILICON BRONZE BRUSHED
BBB



BRONZE DARK LUSTRE
BDL



WHITE BRONZE LIGHT
WL



WHITE BRONZE MEDIUM
WM



WHITE BRONZE DARK
WD



WHITE BRONZE BRUSHED
WBB

In addition to the two bronze choices and ten patina options, Rocky Mountain Hardware is designed to be freely interchangeable. This allows for countless arrangements of escutcheons with levers, knobs, rings or grips. A variety of settings and styles can be effortlessly combined. Entries work with Baldwin cylinders and mortise locks.

The following is a small sampling of the many mortise handleset configurations that are available:



G781/G782
Arched Thumb Latch
Keyed Escutcheon Set
3-1/2" x 26"
Shown with G614 12" grip



G135/G136
Rect Thumb Latch Keyed
Escutcheon Set
3-1/2" x 24"
Shown with G10012 Flute grip



G770/E721
Arched Thumb Latch
Keyed Escutcheon Set
3-1/2" x 20" / 2-1/2" x 11"
Shown with G603 7-1/2" grip
and L110 Classic lever



G601/G602
Rectangular Thumb Latch
Keyed Escutcheon Set
3-1/2" x 18"
Shown with G603 7-1/2" grip



E462/E463
Rectangular Entry
Escutcheon Set
3-1/2" x 13"
Shown with K205 Baker knob



G681/G682
Rectangular Thumb Latch
Keyed Escutcheon Set
3-1/2" x 24"
Shown with G614 12" grip



G641/E431
Rectangular Thumb
Latch Keyed
Escutcheon Set
2-3/4" x 18" / 2-1/2" x 10"
Shown with G606 7-1/2"
Sun Valley grip and K203
Potato Knob



G542/E463
Rectangular Sectional
Thumb Latch Keyed
Escutcheon Set
3-1/2" x 13"
Shown with G618 6-1/2"
Cobra grip and L103 Chub lever



G572/E728
Arched Sectional
Thumb Latch Keyed
Escutcheon Set
3" x 13"
Shown with G618 6-1/2"
Cobra grip and L125 Classic
Scroll lever



E729/E728
Arched Entry
Escutcheon Set
3" x 13"
Shown with K251
Roswell knob

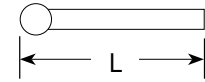


G238/E257
Metro Entry Set
2-3/4" x 23" Ext. escutcheon
2-1/2" x 13" Int. escutcheon
Shown with G619 10" D grip
and L108 Tube lever

ROCKY MOUNTAIN HARDWARE KNOBS & LEVERS

These solid bronze levers and knobs are available in all of the Rocky Mountain patina finishes. All levers and knobs can be used on either interior or exterior Rocky Mountain locksets.

L = Overall Length



3



L111
TWIG LEVER
L = 4.81"



L118
FRENCH TWIST LEVER
L = 4.81"



L126
TRIPLE TWIST LEVER
L = 4.65"



L123
OLD WORLD LEVER
L = 5.60"



L102
SQUIRREL TAIL LEVER
L = 4.19"



L106
TALON LEVER
L = 5"



L140
HARRINGTON LEVER
L = 4.44"



L127
SCROLL LEVER
L = 3.81"



L135
OLYMPUS LEVER
L = 4.88"



L125
CLASSIC SCROLL LEVER
L = 5.16"



L108
TUBE LEVER
L = 4.81"



L101
LONGHORN LEVER
L = 5.61"



L110
CLASSIC LEVER
L = 5.09"



L121
ROCK CREEK LEVER
L = 4.66"



L105
BEAVER TAIL LEVER
L = 4.81"



L130
MONARCH LEVER
L = 4.92"



L117
FRENCH LEVER
L = 4.43"



L104
HOOK LEVER
L = 3.84"



L107
SLUGGER LEVER
L = 4.28"



L103
CHUB LEVER
L = 4.06"



L109
LEGACY LEVER
L = 4.13"



K201
MUSHROOM
KNOB
Dia: 2-1/8"
Proj: 2-3/16"



K251
ROSWELL
KNOB
Dia: 2-7/16"
Proj: 1-7/8"



K202
HITCH KNOB
Dia: 2-1/4"
Proj: 3-1/4"



K204
EGG KNOB
2-1/2" x 1-9/16"
Proj: 2-7/16"



K203
POTATO KNOB
2-3/4" x 1-3/4"
Proj: 2-3/16"



K205
BAKER KNOB
3-1/8" x 1-13/16"
Proj: 2-3/16"



ROCKY MOUNTAIN HARDWARE - 6-8 week lead time

All finishes priced the same. For additional Knob, Lever and Handle Set styles, see the previous two pages or visit rockymountain.com

Available Finishes:

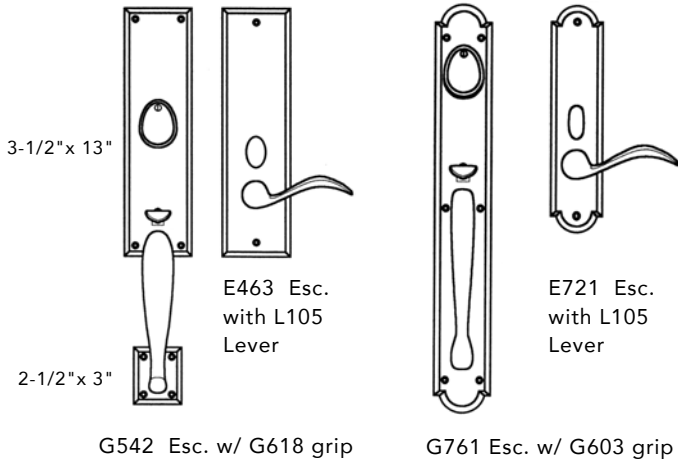
Silicon Bronze Light (BL), Silicon Bronze Medium (BM), Silicon Bronze Dark (BD), Silicon Bronze Rust (BR), Silicon Bronze Brushed (BBB), Bronze Dark Lustre (BDL), White Bronze Light (WL), White Bronze Medium (WM), White Bronze Dark (WD), White Bronze Brushed (WBB).



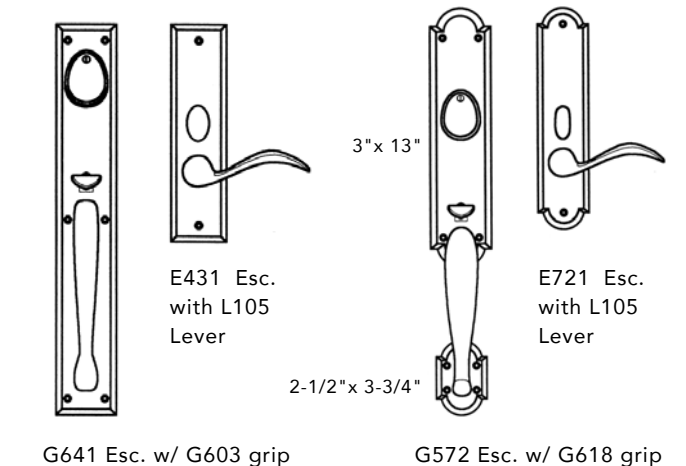
3

ENTRY AND FULL DUMMY MORTISE LOCKS

Entries come with Baldwin cylinder and mortise box. Specify Handing and Door thickness.

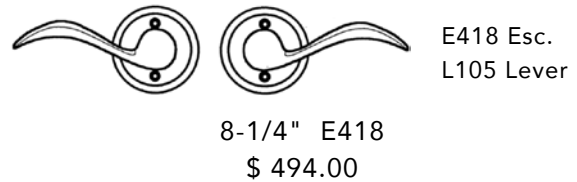
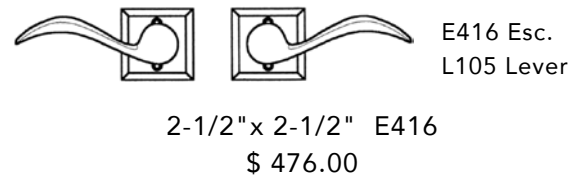


3-1/2" x 20" G542/G618	2-3/4" x 20" G761/G603
3-1/2" x 13" E463/L105	2-1/2" x 11" E721/L105
Complete Entry \$ 1426	Complete Entry \$ 1430
Full Dummy 868	Full Dummy 874

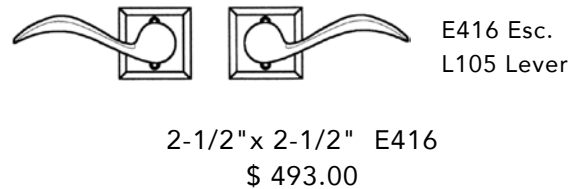


2-3/4" x 18" G641/G603	3" x 20" G572/G618
2-1/2" x 10" E431/L105	2-1/2" x 11" E721/L105
Complete Entry \$ 1359	Complete Entry \$ 1389
Full Dummy 803	Full Dummy 832

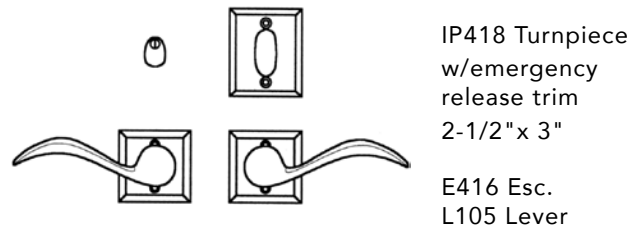
COMPLETE PASSAGE SPRING LATCH SETS



COMPLETE PRIVACY SPRING LATCH SETS



COMPLETE PRIVACY MORTISE BOLT SETS



IP418 Turnpiece w/E416 Esc.
Includes Emergency Release Trim
\$ 710.00

ROCKY MOUNTAIN

ROCKY MOUNTAIN HARDWARE BUILDERS SERIES

Solid bronze architectural hardware. In their Builders Series, Rocky Mountain has combined its traditional custom process with a streamlined production technique. This results in a more competitively priced product without compromising the exceptional Rocky Mountain quality.

The Builder Series offers eight escutcheons that can be combined with a choice of two knobs and two levers. All Rocky Mountain Hardware finishes are available. Special Order, 6-8 week lead time.



3

Price List

All finishes are priced the same. Escutcheon determines price. (Choice of Knob or Lever does not effect price.)

Escutcheons:

EB50, EB70, EB40 and EB80

Single Dummy	\$ 96
Full Dummy	192
Passage	260
Privacy	268
Trim Only	N/A

Escutcheons:

EB55, EB75, EB45 and EB85

Single Dummy	\$ 108
Full Dummy	216
Passage	283
Privacy	291
Trim Only	N/A

			
EB50/KB50 Rectangular Escutcheon 2-1/2" x 3-3/4"	EB55/LB50 Rectangular Escutcheon 2-1/2" x 6-1/2"	EB75/KB50 Arched Escutcheon 2-1/2" x 6-1/2"	EB70/LB50 Arched Escutcheon 2-1/2" x 3-3/4"
			
EB40/KB60 Stepped Escutcheon 2-1/2" x 3-3/4"	EB45/LB60 Stepped Escutcheon 2-1/2" x 6-1/2"	EB85/KB60 Curved Escutcheon 2-1/2" x 6-1/2"	EB80/LB60 Curved Escutcheon 2-1/2" x 3-3/4"
			
KB50 Small Potato Knob 1-1/2" x 2-5/16"	LB50 Small Beaver Tail Lever 4-1/4" O.A.Length	KB60 Small Luna Knob 2-3/16" dia.	LB50 Small Olympus Lever 3-7/8" O.A.Length

BUILDERS SERIES

**PLAIN BEARING
EXTRUDED HINGES**

Available in all finishes. Price includes hinge and any style finial cap.

All Special Order.

	HNG3.5B 3.5" x 3.5" Shown with Ball Finial \$ 98		HNG4B 4" x 4" Shown with Standard Finial \$ 107		HNG4.5B 4.5" x 4.5" Shown with Acorn Finial \$ 118
---	--	---	---	---	--



ROCKY MOUNTAIN

DISPLAYS

ROCKY MOUNTAIN DISPLAY AND FINISH BOARDS

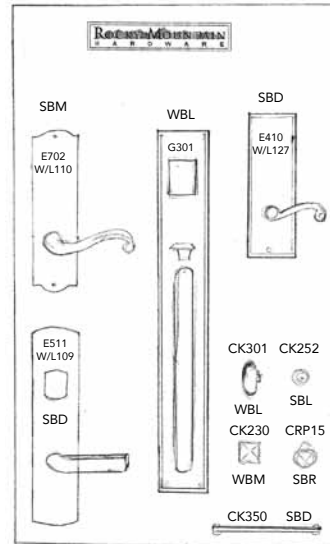
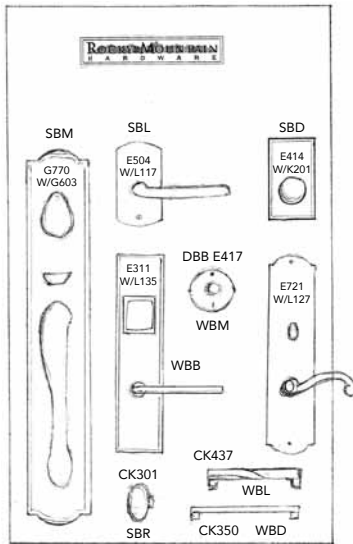
RMB1 - 18 x 30 Board \$ 600 Net

RMB2 - 18 x 30 Board \$ 550 Net



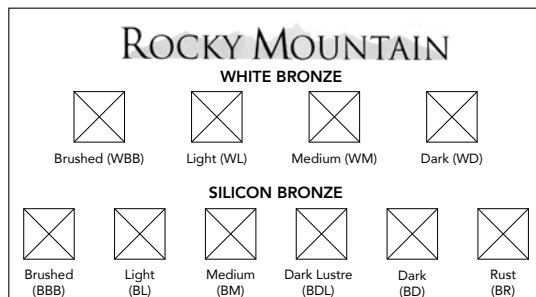
Note:
Date the back of all Finish Boards upon receiving.

The finishes change over time.



10-1/2" W x 7-1/4" H x 3/4" Thick, Mahogany Wall Board

ROCKY MOUNTAIN FINISH BOARD



Shows 10 finishes on a 3/4" Thick Mahogany Wall Board.

Code Net/ea
PATINA BOARD \$ 81.67

WHITE BRONZE SILICON BRONZE

WL = Light BL = Light
WM = Medium BM = Medium
WD = Dark BD = Dark
WBB = Brushed BR = Rust
BBB = Brushed
BDL = Dark Lustre

EMTEK BRASS MODERN LEVER & KNOB SETS

INTERIOR LEVER & KNOB SETS

Complete Sets: Latch and Square Corner Full Lip Strike Plates included. Standard Latch is 2-3/8" backset - Specify 2-3/4" backset if required. Handing required for leversets. Rosettes work with all levers & knobs.

Available in Passage, Privacy and Dummy sets. All list \$ 112.00.

Finishes: Oil Rubbed Bronze (US10B), Polished Nickel (US14, only avail with certain levers/knobs), Satin Nickel (US15), Flat Black (US19), Polished Chrome (US26). *Available in Stainless Steel

ROSETTES



Modern



Disk



Square



Modern Rectangular



Neos



Geneva Lever
w/ Modern Rect Rosette



Luzern Lever
w/ Square Rosette



Athena Lever*
w/ Neos Rosette



Helios Lever*
w/ Disk Rosette



Sion Lever
w/ Disk Rosette



Stuttgart Lever*
w/ Square Rosette



Basel Lever
w/ Disk Rosette



Aireon Lever
w/ Modern Rosette



Poseidon Lever*
w/ Modern Rect Rosette



Triton Lever
w/ Modern Rect Rosette



Hermes Lever*
w/ Modern Rosette



Hercules Lever*
w/ Square Rosette



Mercury Lever
w/ Square Rosette



Octagon Knob*
w/ Modern Rosette



Orb Knob
w/ Disk Rosette



Round Knob*
w/ Square Rosette



Bern Knob
w/ Square Rosette



Square Knob
w/ Neos Rosette

3



EMTEK BRONZE LEVER & KNOB SETS

INTERIOR LEVER & KNOB SETS

Complete Sets: Latch and Square Corner Full Lip Strike Plates included. Standard Latch is 2-3/8" backset - Specify 2-3/4" backset if required. Handing required for leversets.

EMTEK SANDCAST BRONZE

Finishes: Flat Black (FB), Medium Bronze (MB), Tumbled White Bronze (TWB)

Passage, Privacy & Dummy Sets all \$ 130 List



Round Knob
w/ #6 Rosette

Egg Knob
w/ #2 Rosette

Butte Knob
w/ #1 Rosette



Winchester Knob
w/ #3 Rosette

Yuma Lever
w/ #6 Rosette

Lariat Lever
w/ #4 Rosette



Durango Lever
w/ #1 Rosette

Montrose Lever
w/ #1 Rosette

Cody Lever
w/ #2 Rosette



Cimarron Lever
w/ #2 Rosette

Teton Lever
w/ #4 Rosette

Aurora Lever
w/ #6 Rosette

SANDCAST BRONZE ROSETTES FOR ABOVE SETS



#1

#2

#3

#4

#6

EMTEK LOST WAX BRONZE

Finishes: Flat Black (FB), Medium Bronze (MB),

Passage, Privacy & Dummy Sets all \$ 130 List



Petal Knob
w/ #11 Rosette

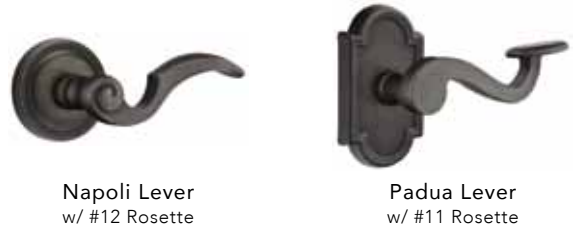
Parma Knob
w/ #12 Rosette

Octagon Knob
w/ #15 Rosette



Medici Lever
w/ #14 Rosette

Octagon Lever
w/ #11 Rosette



Napoli Lever
w/ #12 Rosette

Padua Lever
w/ #11 Rosette

LOST WAX BRONZE ROSETTES FOR ABOVE SETS



#11

#12

#14

#15

EMTEK BRASS CLASSIC LEVER & KNOB SETS

INTERIOR LEVER & KNOB SETS

Complete Sets: Latch and Square Corner Full Lip Strike Plates included. Standard Latch is 2-3/8" backset - Specify 2-3/4" backset if required. Handing required for leversets. Rosettes work with all levers & knobs.

Available in Passage, Privacy and Dummy sets. All list \$ 86 - \$ 118.

Finishes: Polished Brass (US3), French Antique (US7), Oil Rubbed Bronze (US10B), Polished Nickel (US14, only avail with certain levers/knobs), Satin Nickel (US15), Pewter (US15A), Flat Black (US19), Pol. Chrome (US26).



Cortina Lever
w/ #8 Rosette



Wembley Lever
w/ Regular Rosette



Rustic Lever
w/ Oval Rosette



Merrimack Lever
w/ Rectangular Rosette



Elan Lever
w/ Oval Rosette



Santa Fe Lever
w/ Rope Rosette



Rope Lever
w/ Rope Rosette



Milano Lever
w/ #8 Rosette



Ribbon & Reed Lever
w/ Ribbon & Reed Rosette



Coventry Lever
w/ Regular Rosette



Turino Lever
w/ Oval Rosette



Egg Knob
w/ Oval Rosette



Waverly Knob
w/ Quincy Rosette



Providence Knob
w/ Quincy Rosette



Rope Knob
w/ Rope Rosette



Ribbon & Reed Knob
w/ Ribbon & Reed Rosette



Lancaster Knob
w/ Lancaster Rosette



Norwich Knob
w/ Regular Rosette



Beaded Egg Knob
w/ Oval Rosette



Belmont Knob
w/ Rope Rosette



Melon Knob
w/ Regular Rosette

ROSETTES



#8



Oval



Regular



Rectangular



Quincy



Rope



Lancaster



Ribbon & Reed

3



EMTEK DEADBOLTS

- Schlage C Keyway
- Standard Door Prep and Installation
- Solid Brass Cylinder, Housing Collar and Rosette
- Hardened Steel Bolt
- Heavy Gauge Steel Understrike and Brass Trim Strike shipped with every deadbolt

3

BRASS DEADBOLTS

Finishes: Most Deadbolts available in five to eight different finishes:
Polished Brass (US3), French Antique (US7), Oil Rubbed Bronze (US10B), Polished Nickel (US14),
Satin Nickel (US15), Pewter (US15A), Flat Black (US19), Polished Chrome (US26)



SANDCAST BRONZE DEADBOLTS

Finishes: Flat Black (FB), Medium Bronze (MB),
Tumbled White Bronze (TWB)



LOST WAX CAST BRONZE DEADBOLTS

Finishes: Flat Black (FB), Medium Bronze (MB)



STAINLESS STEEL DEADBOLTS

Brushed Stainless Steel Finish



EMTEK BRASS MORTISE ENTRANCE HANDLESETS

- 2-1/2" and 2-3/4" Backsets
- Standard Mortise Door Prep ANSI A115.1
- Solid Forged Brass Trim
- Six Finishes (on most)
- Schlage C Keyway
- Handing Required
- Locks for In-Swing Doors standard, for Out-Swing doors, please specify



Order any brass lever or knob for the interior.

Mormont



\$ 480

Lugano



\$ 480

Salem



\$ 440

3

Melrose



\$ 530

Artemis



\$ 480

Craftsman Full Length



\$ 480

Hera



\$ 530

Manhattan



\$ 480

Zeus



\$ 480

Memphis



\$ 480

EMTEK SANDCAST BRONZE MORTISE ENTRANCE HANDLESETS

- Available in 2 finishes:
Flat Black (FB),
Medium Bronze (MB)



Order any Sandcast Bronze lever or knob, or Crystal & Porcelain knob for the interior.

Topeka



\$ 580

Sonoma



\$ 530

Longmont



\$ 580

Cheyenne



\$ 530



EMTEK BRASS TUBULAR ENTRANCE HANDLESETS

- Standard 2-1/8" Door Prep
- Solid Forged Brass Trim
- Schlage C Keyway
- Choose any Brass Lever or Knob for interior
- Interconnect Device available on most designs
- Many Finishes available

* Available in Stainless Steel

3

Baden



\$ 240

Davos*



\$ 274

Lausanne



\$ 324

Apollo



\$ 274

Orion



\$ 324

Hamden



\$ 240

Franklin



\$ 240

Zeus*



\$ 274

Arts & Craft
Full Length



\$ 324

Adams



\$ 274

Jefferson



\$ 324

Wilshire



\$ 274

Melrose



\$ 324

Saratoga



\$ 274

Marietta



\$ 274

Knoxville



\$ 240

Orleans



\$ 274

Ribbon & Reed



\$ 274

Imperial



\$ 324

Richmond



\$ 274

Wilmington



\$ 324

EMTEK SANDCAST BRONZE TUBULAR ENTRANCE HANDLESETS

- Standard 2-1/8" Door Prep
- Solid Forged Brass Trim
- Schlage C Keyway
- Choose any Sandcast Bronze Lever or Knob for interior
- Interconnect Device available on most designs
- Most styles available in:
Flat Black (FB), Medium Bronze (MB) and
Tumbled White Bronze (TWB)

Ridgemont



\$ 332

Logan



\$ 366

3

Brighton



\$ 416

Laramie



\$ 332

Sheridan



\$ 366

Creston



\$ 416

Denver



\$ 332

Remington



\$ 366

Greeley



\$ 416

Rectangular
Sectional



\$ 332

Rectangular
Monolithic



\$ 366

Rectangular
Full Length



\$ 416

LOST WAX BRONZE

Available in Flat Black (FB) and
Medium Bronze (MB)

Tuscany
Sectional



\$ 332

Tuscany
Monolithic



\$ 366

WROUGHT STEEL

Available in Flat Black Steel (FBS) and Satin Steel (SWS)

Sectional
Lafayette Grip



\$ 240

Sectional
San Carlos Grip



\$ 240

Sectional
Normandy Grip



\$240

Monolithic
Lafayette Grip



\$ 274

Monolithic
San Carlos Grip



\$ 274

Monolithic
Normandy Grip



\$ 274



3

EMTEK KEYED LOCKSETS

- Schlage C Keyway
- Standard Door Prep and Installation
- Includes Strike Plate and Adjustable Latch to fit 2-3/8" or 2-3/4" Backset
- Handing required for Leversets
- Many finishes available

MODERN



Round Knob
w/ Disk Rosette

\$158



Hanover Lever
w/ Square Rosette

\$158

Rosettes



Disk



Square

CLASSIC



Waverly Knob
w/ Regular Rosette

\$158



Cortina Lever
w/ Rectangular Rosette

\$158



Providence Knob
w/ #8 Rosette

\$158

Rosettes



Regular



#8



Rectangular



Rope

SANDCAST BRONZE

Durango Lever
w/ #1 Rosette



\$174

Winchester Knob
w/ #3 Rosette



\$174

Rosettes



#1



#2



#3



#4

EMTEK KEYPAD DEADBOLT

Available in Brass or Sandcast Finishes



Classic
E1000



Sandcast
E1001

- Fits any door between 1-3/4" to 2-1/4" thick with a 2-1/8" bore standard door prep
- Installs easily with a Phillips head screwdriver
- Installation and programming instructions included
- Factory programmed with 2 unique, secure user codes for use right out of the box.
- Can be programmed with up to 20 user codes of your choice, can be added and deleted anytime
- Easy lock operation, simply push the Emtek button and turn the exterior thumb turn to lock
- Easy unlock operation, enter the 4 digit code and turn the exterior thumb turn
- Programming changes can be made easily using the keypad
- Keypad has a protective coating to prevent wear patterns
- Illuminated keypad for easy and quick operation after dark
- Low battery indicator lets you know when it's time to change the battery
- Emtek's standard mechanical and finish warranties along with a 2 year warranty on electronic components

Code	Description	List
E1000	Brass Keypad Deadbolt	\$ 168

Finishes: Polished Brass (US3), Oil Rubbed Bronze (US10B), Satin Nickel (US15)

Code	Description	List
E1001	Sandcast Brz Keypad Deadbolt	\$ 204

Finishes: Flat Black (FB), Med Bronze (MB)

VALLI & VALLI

INTERIOR LOCKS

VALLI & VALLI LEVER SETS - Special Order

Round Rosette Applications

For fine residential, light commercial or industrial interior/exterior doors.

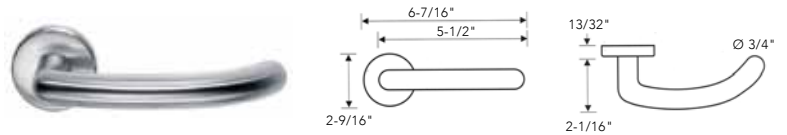
- Door Range: 1-3/8" to 1-3/4" standard
- Backset: 2-3/8" standard
- Latch: 1/2" throw reversible latch with 1" x 2-1/4" square corner latch face for passage privacy; latches come with a T-strike: 2-3/4" x 1-1/8" and Lip: 1-1/4"
- Function: Passage and privacy locksets or dummy levers. Specify door handing for dummy levers.
- Material: Stainless Steel
- Mechanism: Cold rolled steel corrosion treated for normal atmospheric conditions.
- Crossbore: 2-1/8"
- Edge-Bore: 15-16"
- Throw: 1/2"

- 32: Polished Stainless Steel
- 32D: Satin Stainless Steel

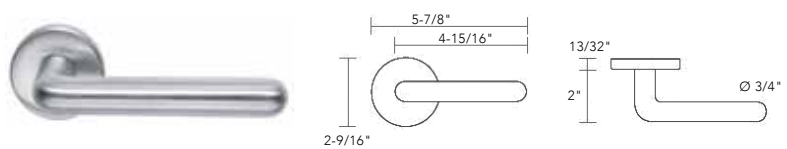
All Special Order

Code	Passage	Privacy	Dummy (each)
H5001RPS-32	\$ 577	\$ 613	\$ 283
H5001RPS-32D	464	474	222
H5003RPS-32	576	607	284
H5003RPS-32D	463	482	222
H5004RPS-32	555	589	273
H5004RPS-32D	448	462	216
H5008RPS-32	711	752	353
H5008RPS-32D	551	567	266
H5013RPS-32	359	387	174
H5013RPS-32D	301	318	143
H5014RPS-32	359	387	174
H5014RPS-32D	301	318	143
H5017RPS-32	968	999	472
H5017RPS-32D	760	770	370

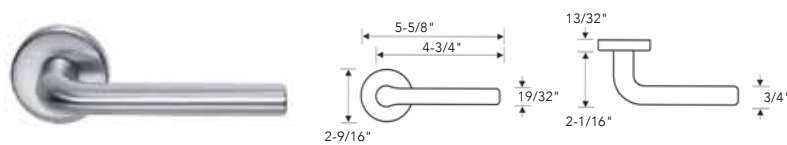
H5001RPS - Serie Cervino



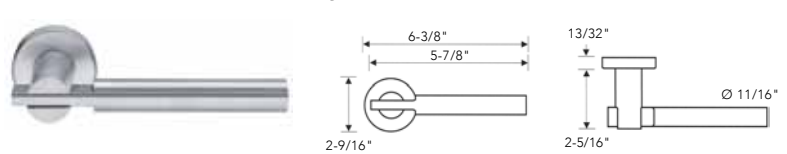
H5003RPS - Serie Stelvio



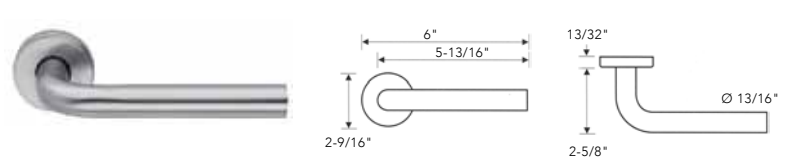
H5004RPS - Serie Adamello



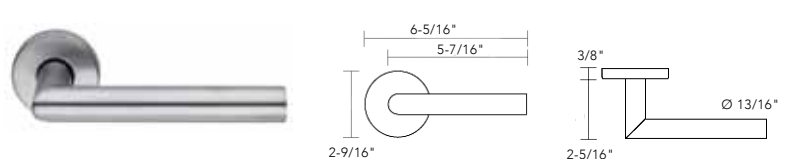
H5008RPS - Serie Himalaya



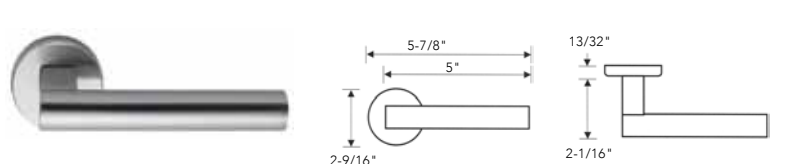
H5013RPS - Serie Marmolada



H5014RPS - Serie Bernina



H5017RPS - Serie Gottardo



OMNIA

SOLID BRASS

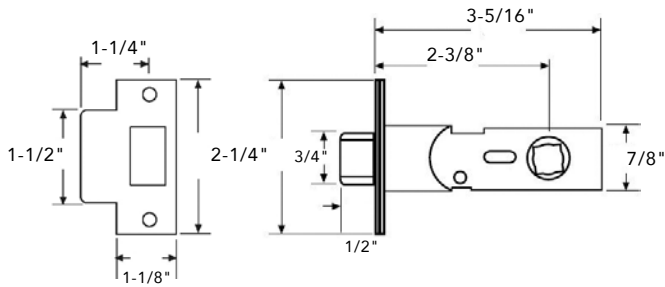
OMNIA INTERIOR KNOB & LEVER SETS

These solid cast brass knobs and levers will fit a 2-1/8" bore. For commercial and residential use. For commercial use, please specify at time of order. Supplied for 2-3/8" Backset and 1-3/8" thick door unless otherwise specified. Thru-bolted roses. Each set consists of two solid brass knobs or levers, concealed screw roses, latch, spindle, mounting screws, template and instructions. **All Special Order.**

Rose Dimensions

Modern Rose: 2-9/16" Dia. x 3/8"

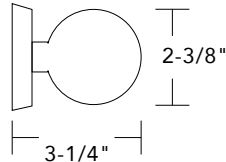
Traditional Rose: 2-1/2" Dia. x 9/16"



Strike Plate

Tubular Latch

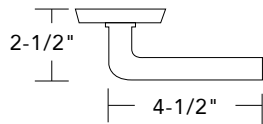
198 Knob Set



	Passage	Privacy	Sgl Dummy
198/60	\$ 207	\$ 224	\$ 96
26, 26D			

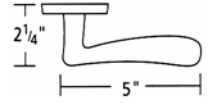
Also available in 2" (198/50) dia. knob

368 Lever Set



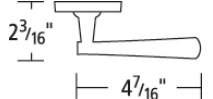
	Passage	Privacy	Sgl Dummy
368/00	\$ 177	\$ 188	\$ 80
3			
26,26D	185	198	84
10B	201	206	94
15	194	199	88

915 Lever Set



	Passage	Privacy	Sgl Dummy
915/00	\$ 203	\$ 213	\$ 92
26, 26D			
15	213	224	97

890 Lever Set



	Passage	Privacy	Sgl Dummy
890/00	\$ 144	\$ 153	\$ 65
3			
26,26D	159	179	67
10B	185	208	78
15	164	184	70

904 Lever Set

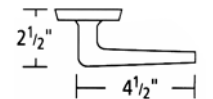


	Passage	Privacy	Sgl Dummy
904/00	\$ 198	\$ 209	\$ 82
3			
26,26D	208	216	84
10B	224	230	106
15	218	230	89

Shown with 2-5/8" dia. rose.

Also available in 1-3/4" (904/45), 2-3/16" (904/55) dia. roses.

36 Lever Set



	Passage	Privacy	Sgl Dummy
36/00	\$ 155	\$ 166	\$ 69
3			
26,26D	166	175	73
10B	193	198	90
15	174	183	76

Finish Codes

3:	Polished Brass	10B:	Oil Rubbed Bronze
26D:	Dull Chrome	26:	Polished Chrome
15:	Satin Nickel	15A:	Pewter

OMNIA

STAINLESS STEEL

OMNIA LEVER LATCHSETS - All Special Order

- For commercial and residential use
- Will fit 2-1/8" bore, Rose dia: 2-7/16"
- 2-3/8" and 2-3/4" backsets available
- Supplied for 2-3/8" backset and 1-3/8" door thickness unless otherwise specified
- All lever latchsets are ADA approved
- Available in Passage, Privacy or Dummy; prices shown are Passage

11  
 32: \$ 122 32D: \$ 94 Lever Dia: 13/16"

12  
 32: \$ 122 32D: \$ 94 Lever Dia: 13/16"

25  
 32: \$ 198 32D: \$ 165 Lever Dia: 5/8"

32  
 32D: \$ 147 Lever Dia: 11/16"

43  
 32D: \$ 171 Lever Dia: 11/16"

47  
 32D: \$ 99 Lever Dia: 11/16"

32 - Pol. Stainless Steel, 32D - Brushed Stainless Steel

OMNIA STAINLESS DEADBOLTS - All Special Order



Available in 2-3/8" or 2-3/4" backset. Fits in 2-1/8" standard bore.

Specify 1-3/8" or 1-3/4" door thickness. Available in 32D Finish.

Code	Finish	List
D9000	Brushed Stainless Steel	\$ 191

OMNIA STAINLESS PRIVACY BOLTS

All Special Order



Available in 2-3/8" or 2-3/4" backset.

Faceplate: 2-1/4" x 1".
 Strike: 2-3/4" dia. x 1-1/8".
 Inside Rose: 2" dia. 3/8" depth.
 Inside Turnpiece: 1-1/4" x 1-3/4" proj. Bolt: 5/8".

Code	Finish	List
6000	Brushed Stainless Steel	\$ 114

OMNIA STAINLESS HANDLESET - METRO

All Special Order



Backplate Dimensions:

5-1/2" center to center.
 Exterior (Top plate) and Interior: 10-1/4" x 2-9/16" x 7/16"
 Exterior (Bottom Rose): 2-1/16" diameter

Overall:

Exterior: Length 16-7/8" x 3-5/16" proj.
 Interior: Length 10-1/4" x 2-7/8" proj.

Specify #11 or #12 Interior Lever. Brushed Stainless Finish.

Code	Panic Proof	Dummy Pair	Dummy Exterior	Dummy Interior
METRO	\$ 487	\$ 224	\$ 158	\$ 72



BALDWIN

BALDWIN RESERVE KNOB AND LEVER SETS

Traditional

See pgs 340-343
for Stocking
Baldwin Reserve



ELL.TRR
Ellipse Knob shown with
Traditional Round Rose



ROU.TSR*
Round Knob shown with
Traditional Square Rose



TRA.TAR
Traditional Knob shown with
Traditional Arch Rose



RUS.RSR
Rustic Knob shown with
Rustic Square Rose

Choose Function	Style	Rose	Finish	List
(EN) Entry	ELL Ellipse	TRR Traditional Round Rose	003 Polished Brass	\$ 170.00
(PS) Passage			049 Matte Brass & Black	
(PV) Privacy	ROU Round*	TAR Traditional Arch Rose	150 Satin Nickel	105.00
(FD) Full Dummy			152 Matte Antique Nickel	105.00
(HD) Half Dummy	TRA Traditional	TSR Traditional Square Rose	112 Venetian Bronze	\$ 52.50
			260 Polished Chrome	
(EN) Entry	RUS Rustic	RAR Rustic Arch Rose	481 Dark Bronze	\$ 175.00
(PS) Passage			492 White Bronze	\$ 135.00
(PV) Privacy		RSR Rustic Square Rose		135.00
(FD) Full Dummy				135.00
(HD) Half Dummy			\$ 67.50	



CUR.TRR*
Curve Lever shown with
Traditional Round Rose



FED.TSR
Federal Lever shown with
Traditional Square Rose



DEC.TAR
Decorative Lever shown with
Traditional Arch Rose

Choose Function	Style	Handing*	Rose	Finish	List
(EN) Entry	CUR Curve*	R Right Hand	TRR Traditional Round Rose	003 Polished Brass	\$ 170.00
(PS) Passage				049 Matte Brass & Black	
(PV) Privacy	DEC Decorative	L Left Hand	TAR Traditional Arch Rose	150 Satin Nickel	95.00
(FD) Full Dummy				152 Matte Antique Nickel	95.00
(HD) Half Dummy	FED Federal		TSR Traditional Square Rose	112 Venetian Bronze	\$ 47.50
				260 Polished Chrome	

Handing required for Half Dummy function and split style or split finish orders.

Traditional Rose Options



Rustic Rose Options



See pgs 340-343
for Stocking
Baldwin Reserve

BALDWIN RESERVE LEVER SETS



Contemporary

Rustic



TUB.CRR
Tube Lever shown with
Contemporary Round Rose



SQU.CSR*
Square Lever shown with
Contemporary Square Rose



ARC.RAR*
Arch Lever shown with
Rustic Arch Rose



TAP.RSR
Taper Lever shown with
Rustic Square Rose

3

Choose Function	Style	Handing*	Rose	Finish	List
(EN) Entry					\$ 170.00
(PS) Passage	TUB Tube	R Right Hand	CRR Contemporary Round Rose	150 Satin Nickel	\$ 95.00
(PV) Privacy				112 Venetian Bronze	95.00
(FD) Full Dummy	SQU* Square	L Left Hand	CSR Contemporary Square Rose	260 Polished Chrome	95.00
(HD) Half Dummy					\$ 47.50
(EN) Entry					\$ 175.00
(PS) Passage	ARC* Arch	R Right Hand	RAR Rustic Arch Rose	481 Dark Bronze	\$ 130.00
(PV) Privacy					130.00
(FD) Full Dummy	TAP Taper	L Left Hand	RSR Rustic Square Rose	492 White Bronze	130.00
(HD) Half Dummy					\$ 65.00

Handing required for Half Dummy function and split style or split finish orders.

BALDWIN RESERVE DEADBOLTS

Traditional

Contemporary

Rustic



TRD*
Traditional Round Deadbolt



TAD
Traditional Arch Deadbolt



TSD*
Traditional Square Deadbolt



CRD*
Contemporary Round Deadbolt



CSD*
Contemporary Square Deadbolt



RAD
Rustic Square Deadbolt



RSD*
Rustic Arch Deadbolt

Function	Style	Finish	List
(SC) Single Cylinder	TRD* Round	003 Polished Brass	\$ 60
		049 Matte Brass & Black	
		150 Satin Nickel	
(DC) Double Cylinder	TAD Arch	152 Matte Antique Nickel	\$ 65
		112 Venetian Bronze	
(PT) Patio	TSD Square	260 Polished Chrome	\$ 42

Function	Style	Finish	List
(SC) Single Cylinder	CRD* Round	150 Satin Nickel	\$ 60
(DC) Double Cylinder	CSD* Square	112 Venetian Bronze	\$ 65
(PT) Patio		260 Polished Chrome	\$ 42
(SC) Single Cylinder	RAD* Arch	481 Dark Bronze	\$ 70
(DC) Double Cylinder			\$ 75
(PT) Patio	RSD Square	492 White Bronze	\$ 44

* Some combinations in stock on these styles. See page 341



See pgs 340-343 for Stocking Baldwin Reserve

BALDWIN RESERVE TRADITIONAL HANDLESETS



COL Columbus



NAP Napa



WES Westcliff

Choose Function	Style	Interior Knob or Lever	Handing	Rose	Finish	List
(SC) Single Cylinder	COL Columbus	ELL Ellipse ROU Round	N/A	TRR Traditional Round Rose	003 Polished Brass 049 Matte Brass & Black	
(DC) Double Cylinder	NAP Napa*	TRA Traditional		TAR Traditional Arch Rose	150 Satin Nickel 152 Matte Antique Nickel	\$ 260
(FD) Full Dummy	WES Westcliff*	CUR Curve FED Federal DEC Decorative	R Right Hand L Left Hand	TSR Traditional Square Rose	112 Venetian Bronze 260 Polished Chrome	

*Thin door option available



CHE Chesapeake



DEL Del Mar



ELI Elizabeth



NEW New Hampshire

Choose Function	Style	Interior Knob or Lever	Handing	Rose	Finish	List
(SC) Single Cylinder	CHE Chesapeake	ELL Ellipse ROU Round	N/A	TRR Traditional Round Rose	003 Polished Brass 049 Matte Brass & Black	
(DC) Double Cylinder	DEL Del Mar	TRA Traditional		TAR Traditional Arch Rose	150 Satin Nickel 152 Matte Antique Nickel	\$ 295
(FD) Full Dummy	ELI Elizabeth NEW New Hampshire	CUR Curve FED Federal DEC Decorative	R Right Hand L Left Hand	TSR Traditional Square Rose	112 Venetian Bronze 260 Polished Chrome	

Traditional Rose Options



Interior Lever/ Knob Options





BALDWIN RESERVE HANDLESETS



Contemporary

Rustic

3



SEA*
Seattle



MIA*
Miami



COT
Cottonwood



ADI
Adirondack



KOD
Kodiak



FAI
Fairbanks



LON*
Longview



ELK*
Elkhorn

Choose Function	Style	Interior Knob or Lever	Handing	Rose	Finish	List
(SC) Single Cylinder	SEA Seattle*	ROU Round	N/A	CRR Contemporary Round Rose	150 Satin Nickel	\$ 295
(DC) Double Cylinder		TUB* Tube	R Right Hand		112 Venetian Bronze	
(FD) Full Dummy		SQU Square	L Left Hand		260 Polished Chrome	
(SC) Single Cylinder	ADI Adirondack	RUS Rustic	N/A	RAR Rustic Arch Rose	481 Dark Bronze	\$ 330
(DC) Double Cylinder		ARC Arch	R Right Hand		492 White Bronze	
(FD) Full Dummy		TAP Taper	L Left Hand		RSR Rustic Square Rose	
(SC) Single Cylinder	COT Cottonwood	RUS Rustic	N/A	RAR Rustic Arch Rose	481 Dark Bronze	\$ 365
(DC) Double Cylinder		ARC Arch	R Right Hand		492 White Bronze	
(FD) Full Dummy		TAP Taper	L Left Hand		RSR Rustic Square Rose	
(SC) Single Cylinder	ELK Elkhorn*	RUS Rustic	N/A	RAR Rustic Arch Rose	481 Dark Bronze	\$ 410
(DC) Double Cylinder		ARC Arch	R Right Hand		492 White Bronze	
(FD) Full Dummy		LON Longview*	TAP Taper		L Left Hand	

Contemporary Rose Options



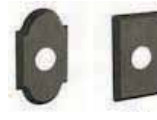
CRR CSR

Contemporary Lever Options



TUB SQU

Rustic Rose Options



RAR RSR

Rustic Knob/Lever Options



RUS ARC TAP

* Some combinations in stock on these styles. See page 342

BALDWIN RESERVE

BALDWIN RESERVE LEVER & KNOB SETS

In stock at MacPac

Box Pack includes Latch & Strike. Std. 2-1/8" door prep.

- Easiest Baldwin product to install ever
- Adjustable backset and handing reversible in the field
- Different spring tension behind the rose for lever vs. knob
- Grade 2 ANSI BHMA Security Standard



Round Knob
with Traditional
Square Rose

Finishes: 112, 150

<u>Code</u>	<u>Function</u>	<u>List</u>
EN.ROU.TSR.xxx	Entry	\$ 171.87
PS.ROU.TSR.xxx	Passage	106.16
PV.ROU.TSR.xxx	Privacy	106.16
FD.ROU.TSR.xxx	Full Dummy	106.16
HD.ROU.TSR.xxx	Half Dummy	53.22



Arch Lever
with
Rustic Arch Rose

Finishes: 481, 492

<u>Code</u>	<u>Function</u>	<u>List</u>
EN.ARC.L.RAR.xxx	Entry, LH	\$ 176.93
EN.ARC.R.RAR.xxx	Entry, RH	176.93
PS.ARC.L.RAR.xxx	Passage, LH	131.43
PS.ARC.R.RAR.xxx	Passage, RH	131.43
PV.ARC.L.RAR.xxx	Privacy, LH	131.43
PV.ARC.R.RAR.xxx	Privacy, RH	131.43
FD.ARC.L.RAR.xxx	Full Dummy, LH	131.43
FD.ARC.R.RAR.xxx	Full Dummy, RH	131.43
HD.ARC.L.RAR.xxx	Half Dummy, LH	65.72
HD.ARC.R.RAR.xxx	Half Dummy, RH	65.72



Curved Lever
with Traditional
Round Rose

Finishes: 112, 150

<u>Code</u>	<u>Function</u>	<u>List</u>
EN.CUR.L.TRR.xxx	Entry, LH	\$ 171.87
EN.CUR.R.TRR.xxx	Entry, RH	171.87
PS.CUR.L.TRR.xxx	Passage, LH	96.05
PS.CUR.R.TRR.xxx	Passage, RH	96.05
PV.CUR.L.TRR.xxx	Privacy, LH	96.05
PV.CUR.R.TRR.xxx	Privacy, RH	96.05
FD.CUR.L.TRR.xxx	Full Dummy, LH	96.05
FD.CUR.R.TRR.xxx	Full Dummy, RH	96.05
HD.CUR.L.TRR.xxx	Half Dummy, LH	48.02
HD.CUR.R.TRR.xxx	Half Dummy, RH	48.02



Square Lever
with Contemporary
Square Rose

Finishes: 112, 150

<u>Code</u>	<u>Function</u>	<u>List</u>
EN.SQU.L.CSR.xxx	Entry, LH	\$ 171.87
EN.SQU.R.CSR.xxx	Entry, RH	171.87
PS.SQU.L.CSR.xxx	Passage, LH	96.05
PS.SQU.R.CSR.xxx	Passage, RH	96.05
PV.SQU.L.CSR.xxx	Privacy, LH	96.05
PV.SQU.R.CSR.xxx	Privacy, RH	96.05
FD.SQU.L.CSR.xxx	Full Dummy, LH	96.05
FD.SQU.R.CSR.xxx	Full Dummy, RH	96.05
HD.SQU.L.CSR.xxx	Half Dummy, LH	48.02
HD.SQU.R.CSR.xxx	Half Dummy, RH	48.02

Finish Code: 112 = Venetian Bronze 481 = Dark Bronze
150 = Satin Nickel 492 = White Bronze

BALDWIN RESERVE

BALDWIN RESERVE HANDLESETS

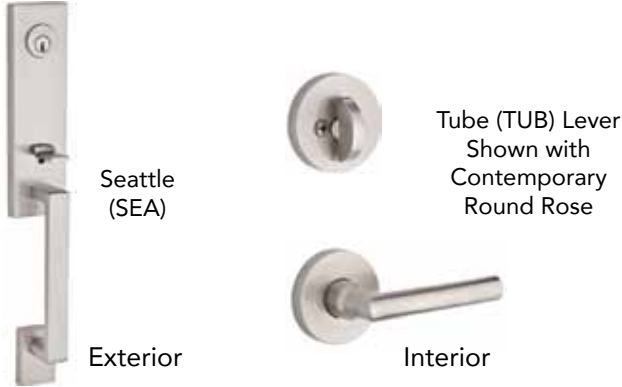
In stock at MacPac

Includes bolt, latch & strike.

Std. 2-1/8" door prep for grip & bolt

- Easiest Baldwin product to install ever
- Adjustable backset and handing reversible in the field
- Different spring tension behind the rose for lever vs. knob
- Grade 2 ANSI BHMA Security Standard

Contemporary Handlesets



Seattle

Finishes: 112, 150

With Tube Lever and Contemporary Round Rose

Code	Hand	List
SC.SEA.TUB.L.CRR.xxx	LH	\$ 298.25
SC.SEA.TUB.R.CRR.xxx	RH	298.25

Rustic Handlesets

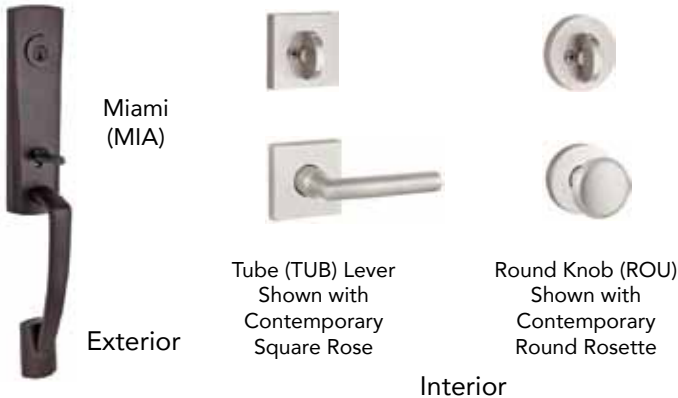


Elkhorn

Finishes: 481, 492

With Arch Lever and Rustic Arch Rose

Code	Hand	List
SC.ELK.ARC.L.RAR.xxx	LH	\$ 414.51
SC.ELK.ARC.R.RAR.xxx	RH	414.51



Miami

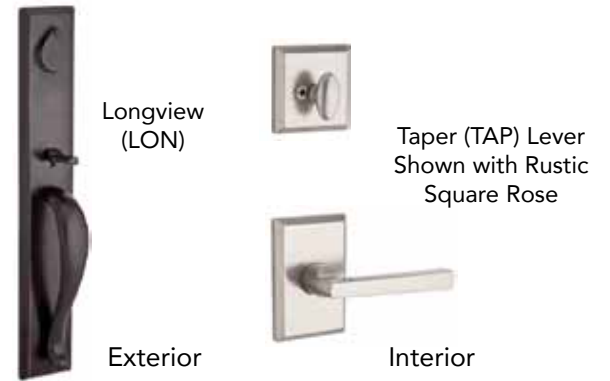
Finishes: 112, 150

With Tube Lever and Contemporary Square Rose

Code	Hand	List
SC.MIA.TUB.L.CSR.xxx	LH	\$ 298.25
SC.MIA.TUB.R.CSR.xxx	RH	298.25

With Round Knob and Contemporary Round Rose

SC.MIA.ROU.CRR.xxx		298.25
--------------------	--	--------



Longview

Finishes: 481, 492

With Taper Lever and Rustic Square Rose

Code	Hand	List
SC.LON.TAP.L.RSR.xxx	LH	\$ 414.51
SC.LON.TAP.R.RSR.xxx	RH	414.51

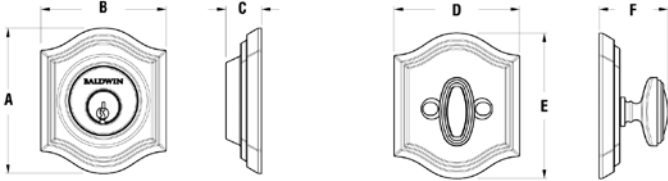
Finish Code: 112 = Venetian Bronze
150 = Satin Nickel

481 = Dark Bronze
492 = White Bronze

BALDWIN RESERVE

BALDWIN RESERVE DEADBOLTS

Deadbolt Dimensions



Deadbolt

	TRD	TSD	CRD	CSD	RAD
A	∅ 2-3/5"	2-3/5"	∅ 2-5/8"	2-9/16"	3-5/8"
B	N/A	2-3/5"	N/A	2-9/16"	2-11/16"
C	3/4"	3/4"	3/4"	3/4"	1-1/16"
D	∅ 2-5/8"	2-5/8"	∅ 2-5/8"	2-5/8"	2-11/16"
E	N/A	2-5/8"	N/A	2-5/8"	3-7/16"
F (SC)	1-7/16"	1-7/16"	1-7/16"	1-7/16"	1-7/16"
F (DC)	3/4"	3/4"	3/4"	3/4"	1-1/16"

Deadbolt Specifications

Door Preparation	2-1/8" Cross Bore. 1" edge bore for latch
Door Thickness	1-3/8 to 2" standard, Up to 2-1/2" doors optional through thick door option or service part kit
Cylinder	Baldwin C-Keyway standard. SmartKey® Re-key Technology optional
Backset	Adjustable 2-3/8 or 2-3/4
Front & Latch	Square Corner Adjustable (SL) standard. Round Corner (RL), Drive In (DL), or 6 Way Adjustable (6L) optional
Strike	Square Corner strike standard
Latch Bolt	Deadbolt features 1" throw Brass bolt latch
Handing	Handing not required
ANSI/BHMA	Tested to exceed ANSI/BHMA Grade 2 security
ADA	N/A

(CRD) Contemporary Round Deadbolt



Code	Finish	List/ea
SC.CRD.112	Venetian Bronze	\$ 60.60
SC.CRD.150	Satin Nickel	60.60

(CSD) Contemporary Square Deadbolt



Code	Finish	List/ea
SC.CSD.112	Venetian Bronze	\$ 60.60
SC.CSD.150	Satin Nickel	60.60

(RAD) Rustic Arch Deadbolt



Code	Finish	List/ea
SC.RAD.481	Dark Bronze	\$ 70.77
SC.RAD.492	White Bronze	70.77

(TRD) Traditional Round Deadbolt



Code	Finish	List/ea
SC.TRD.112	Venetian Bronze	\$ 60.60
SC.TRD.150	Satin Nickel	60.60

(TSD) Traditional Square Deadbolt



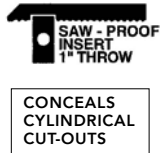
Code	Finish	List/ea
SC.TSD.112	Venetian Bronze	\$ 60.60
SC.TSD.150	Satin Nickel	60.60

BALDWIN ESTATES

TUBULAR ENTRANCE SETS

BALDWIN TUBULAR HANDLESETS

Backset Adjustable for 2-3/8" or 2-3/4". Entry Sets cover 2-1/8" door prep. Full Dummies conceal a 1-1/2" bore. 5-1/2" C/C. With T-Strike. Box Pack. See Finish Groups/Codes on page 377.

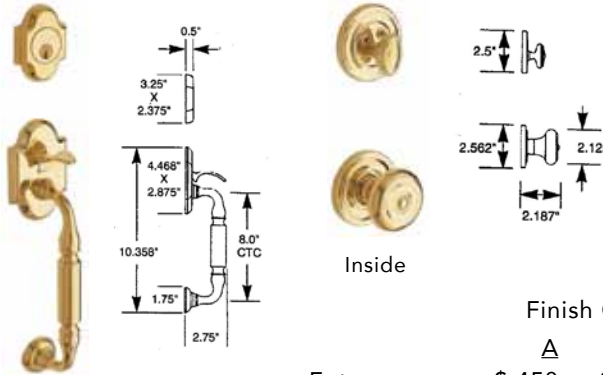


CONCEALS CYLINDRICAL CUT-OUTS

3

CANTERBURY - 85305

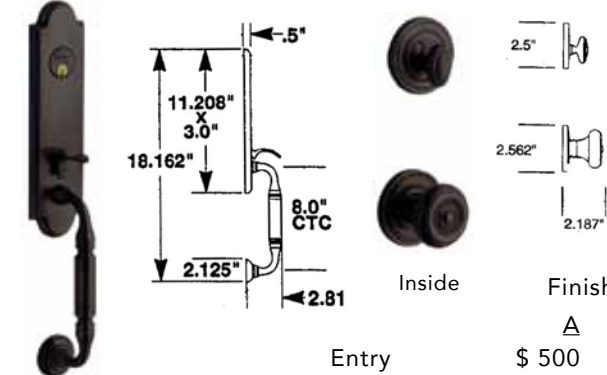
Interior Knob: Colonial



Finish Group	
A	B
Entry	\$ 450
Full Dummy	375

NANTUCKET - 85370

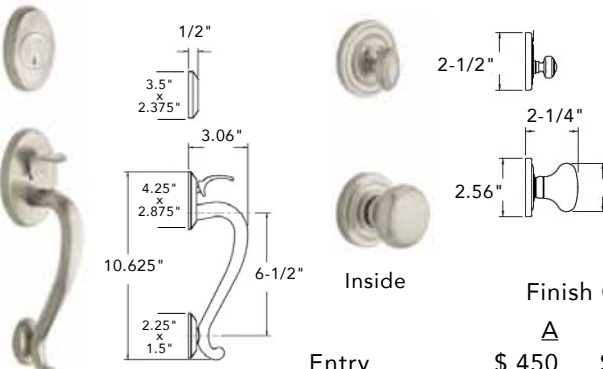
Interior Knob: Colonial



Finish Group	
A	B
Entry	\$ 500
Full Dummy	425

LOGAN - 85315

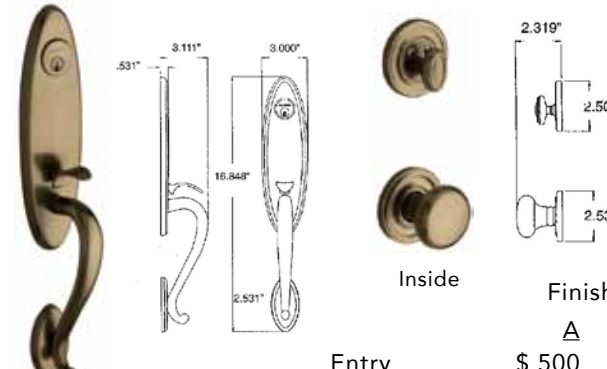
Interior Knob: Classic



Finish Group	
A	B
Entry	\$ 450
Full Dummy	375

BUCKINGHAM - 85380

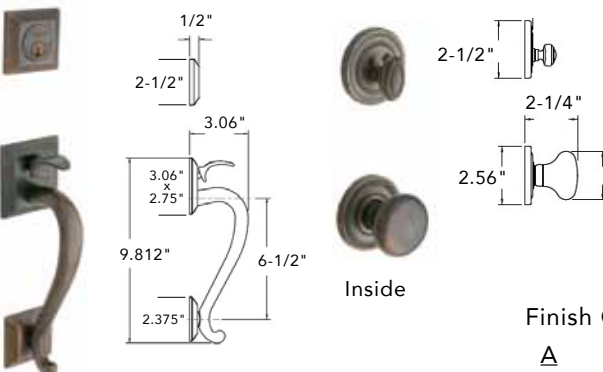
Interior Knob: Classic



Finish Group	
A	B
Entry	\$ 500
Full Dummy	425

MADISON - 85320

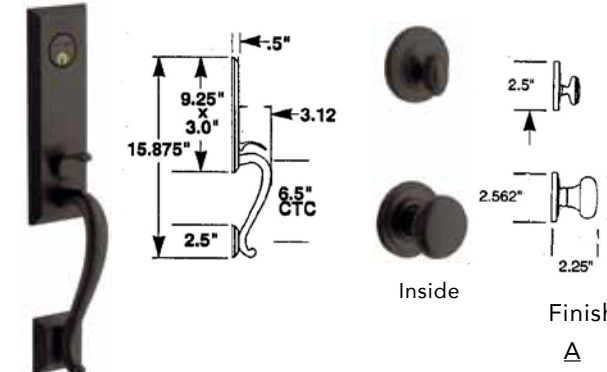
Interior Knob: Classic



Finish Group	
A	B
Entry	\$ 450
Full Dummy	375

GLENNON - 85375

Interior Knob: Classic



Finish Group	
A	B
Entry	\$ 500
Full Dummy	425

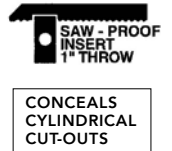


BALDWIN ESTATES

TUBULAR ENTRANCE SETS

BALDWIN TUBULAR HANDLESETS

Backset Adjustable for 2-3/8" or 2-3/4". Entry Sets cover 2-1/8" door prep. Full Dummies conceal a 1-1/2" bore. 5-1/2" C/C. With T-Strike. Box Pack. See Finish Groups/Codes on page 377.



3

BETHPAGE (Sectional) - 85327

Inside

Outside

		Finish Group	
		A	B
Entry	\$ 450	\$ 525	
Full Dummy	375	450	

BETHPAGE - 85337

Inside

Outside

Panic Proof

		Finish Group	
		A	B
Entry	\$ 600	\$ 675	
Full Dummy	525	600	

SOHO - 85387

Inside

Outside

Panic Proof

		Finish Group	
		A	B
Entry	\$ 600	\$ 675	
Full Dummy	525	600	

STONEGATE - 85355

Inside

Outside

Panic Proof

		Finish Group	
		A	B
Entry	\$ 600	\$ 675	
Full Dummy	525	600	

MANCHESTER - 85350

Inside

Outside

Panic Proof

		Finish Group	
		A	B
Entry	\$ 600	\$ 675	
Full Dummy	525	600	

BLAKELY - 85360

Inside

Outside

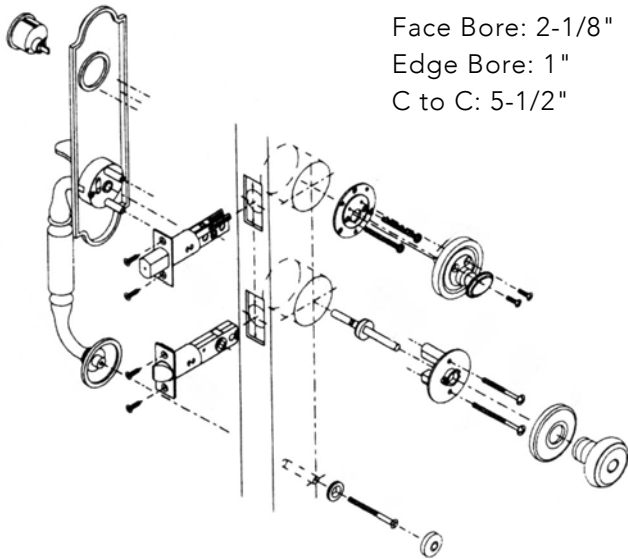
Panic Proof

		Finish Group	
		A	B
Entry	\$ 600	\$ 675	
Full Dummy	525	600	

BALDWIN

Door Prep for Tubular Standard Entrance Sets

Single Cylinder Entrance Lockset

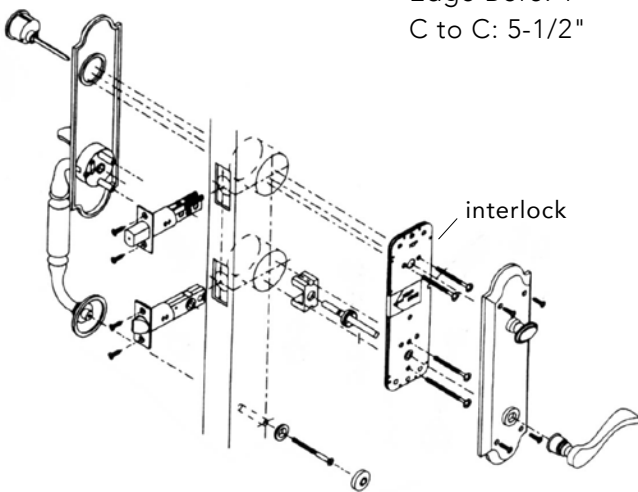


Face Bore: 2-1/8"
Edge Bore: 1"
C to C: 5-1/2"

Door Prep for Tubular Panic Proof Entrance Sets

Lever retracts both latch and deadbolt

Single Cylinder Entrance Lockset



Face Bore: 2-1/8"
Edge Bore: 1"
C to C: 5-1/2"

interlock

BALDWIN ESTATE FINISHES

Finish Group A

031, 030, 033, 034,
040, 050, 060, 102,
112, 150, 151, 190,
260, 264

Finish Group B

003, 055, 056, 402,
412, 452

3

Brass Tones



003
Lifetime Polished Brass



030
Polished Brass



031
Non-Lacquered Brass



033
Vintage Brass



034
Lacquered Vintage Brass



040
Satin Brass



050
Satin Brass & Black



060
Satin Brass & Brown

Silver Tones



055
Lifetime Polished Nickel



056
Lifetime Satin Nickel



150
Satin Nickel



151
Antique Nickel



260
Polished Chrome



264
Satin Chrome



452
Distressed Antique Nickel

Dark Tones



102
Oil Rubbed Bronze



112
Venetian Bronze



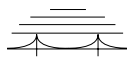
190
Satin Black



402
Distressed Oil Rubbed Bronze



412
Distressed Venetian Bronze



TWO-POINT LOCK SETS

BALDWIN ESTATES

BALDWIN TUBULAR TWO-POINT LOCK SETS: Double lock security with style

For Door Thickness: 1-5/8" to 2".

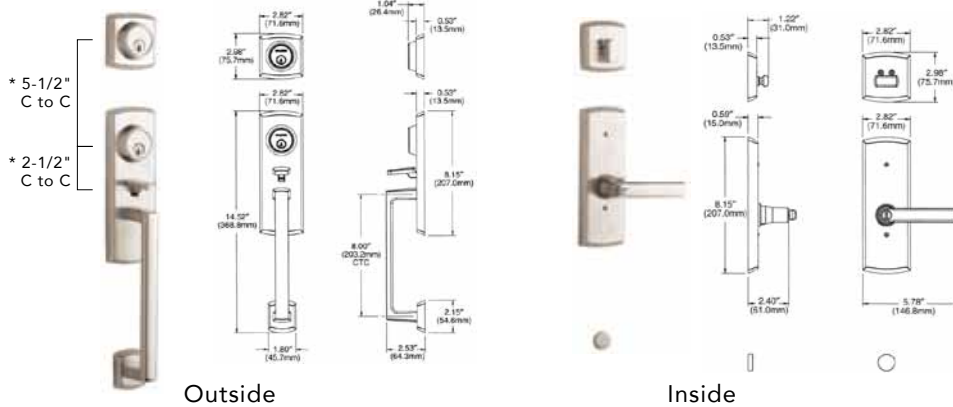
Backset: Latch and Deadbolt adjustable to 2-3/8" or 2-3/4".

* W/ Extended Full Lip Strike.



Retrofit/Replaces Schlage E Series Locks! Installs on doors prebored 2-1/8" at 5-1/2" centers. Deadlock above, Deadlatch below. See Finish Groups/Codes on page 377.

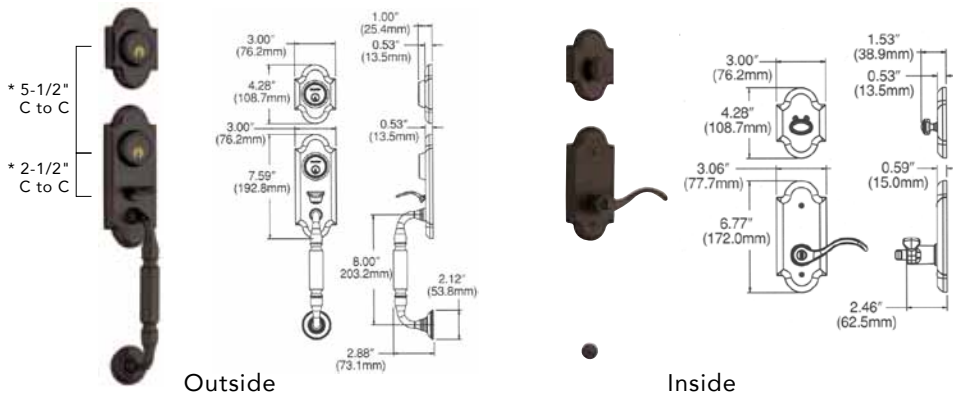
SOHO - Handleset x Lever # 85385



Specify LH or RH

	Finish Group	
	A	B
Entry, LH/RH	\$ 550	\$ 625
Full Dummy	425	550

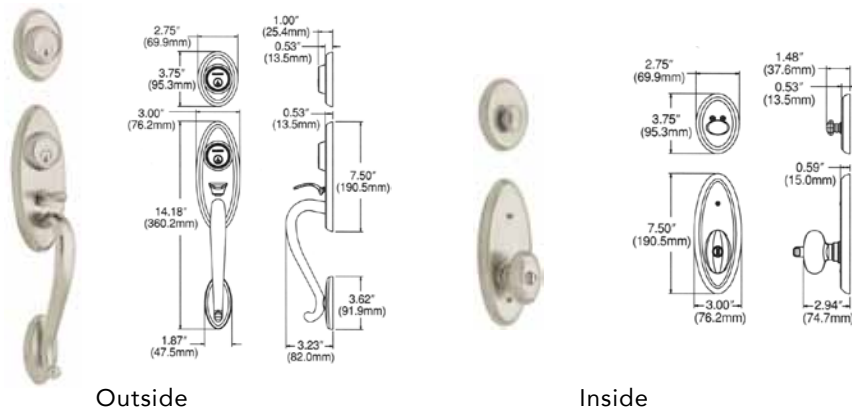
ASHTON - Handleset x Lever # 85365



Specify LH or RH

	Finish Group	
	A	B
Entry, LH/RH	\$ 550	\$ 625
Full Dummy	475	550

LANDON - Handleset x Knob # 85345



Specify LH or RH

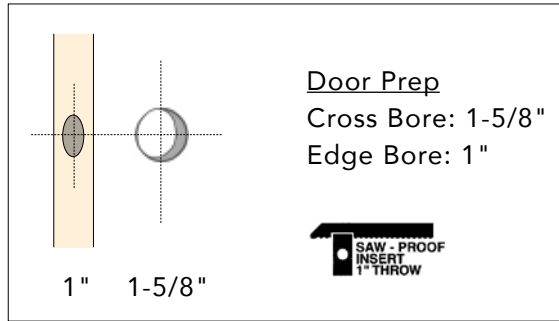
	Finish Group	
	A	B
Entry	\$ 550	\$ 625
Full Dummy	475	550

BALDWIN ESTATES

DEADBOLTS

TRADITIONAL DEADBOLT - Low Profile

For 1-5/8" Door Prep



Door Prep
Cross Bore: 1-5/8"
Edge Bore: 1"



8031 - Single Cylinder
8021 - Double Cylinder

- Low Profile
- Adjustable Backset for 2-3/8" and 2-3/4"
- Grade 1



Inside Turnpiece for 8031



Inside Cylinder for 8021

1/2" low profile cylinder projection

CONTEMPORARY DEADBOLT

For 1-5/8" Door Prep



8041 - Single Cylinder
8011 - Double Cylinder

- Low Profile
- Adjustable Backset for 2-3/8" and 2-3/4"
- Grade 1



Inside Turnpiece for 8041



Inside Cylinder for 8011

1/2" low profile cylinder projection

BALDWIN DEADBOLTS for 1-5/8" Door Prep

Stylish **low profile** deadbolts feature a 1" throw deadbolt that is saw-proof, a strike plate reinforcer, solid brass trim rings, and Schlage "C" keyway.

Grade 1. For 1-5/8" door prep. Adjustable Backset: 2-3/8" and 2-3/4". For 1-3/4" thick doors.

Edge Bore: 1" Cross Bore: 1-5/8" Proj: 9/16"

SINGLE CYLINDER - TRADITIONAL

Code	Finish	List/ea
8031-003	Lifetime Polished Brass	\$ 111.21
8031-050	Satin Brass & Black	96.05
8031-102	Oil Rubbed Bronze	96.05
8031-112	Venetian Bronze	96.05
8031-150	Satin Nickel	96.05
8031-151	Antique Nickel	96.05
8031-260	Polished Chrome	96.05
8031-264	Satin Chrome	96.05
8031-402	Dist. Oil Rubbed Bronze	111.21

SINGLE CYLINDER - CONTEMPORARY

8041-003	Lifetime Polished Brass	\$ 111.21
8041-050	Satin Brass & Black	96.05
8041-102	Oil Rubbed Bronze	96.05
8041-112	Venetian Bronze	96.05
8041-150	Satin Nickel	96.05
8041-151	Antique Nickel	96.05
8041-260	Polished Chrome	96.05
8041-264	Satin Chrome	96.05

DOUBLE CYLINDER - TRADITIONAL

8021-003	Lifetime Polished Brass	\$ 136.49
8021-050	Satin Brass & Black	121.32
8021-102	Oil Rubbed Bronze	121.32
8021-150	Satin Nickel	121.32
8021-260	Polished Chrome	121.32
8021-402	Dist. Oil Rubbed Bronze	136.49

DOUBLE CYLINDER - CONTEMPORARY

8011-003	Lifetime Polished Brass	\$ 136.49
8011-050	Satin Brass & Black	121.32
8011-102	Oil Rubbed Bronze	121.32
8011-260	Polished Chrome	121.32
8011-264	Satin Chrome	121.32

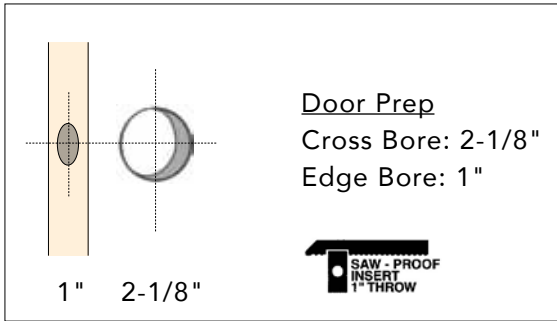
DEADBOLTS

BALDWIN ESTATES

TRADITIONAL DEADBOLT - Low Profile

For 2-1/8" Door Prep

3



8231 - Single Cylinder
8232 - Double Cylinder

- Low Profile
- Adjustable Backset for 2-3/8" and 2-3/4"
- Grade 1



Inside Turnpiece for 8231



Inside Cylinder for 8232

1/2" low profile cylinder projection

CONTEMPORARY DEADBOLT

For 2-1/8" Door Prep



8241 - Single Cylinder
8242 - Double Cylinder

- Low Profile
- Adjustable Backset for 2-3/8" and 2-3/4"
- Grade 1



Inside Turnpiece for 8241



Inside Cylinder for 8242

1/2" low profile cylinder projection

BALDWIN DEADBOLTS for 2-1/8" Door Prep

These **low profile** dead bolts will cover a 2-1/8" cylindrical cutout. Other features: 1" throw is saw-proof, strike plate reinforcer, solid brass trim rings and Schlage "C" Keyway. **Grade 1.** Cross Bore: 2-1/8", Edge Bore: 1". For 1-3/4" thick doors. Proj: 9/16". Adjustable Backset: 2-3/8" and 2-3/4".

SINGLE CYLINDER - TRADITIONAL

Code	Finish	List/ea
8231-003	Lifetime Polished Brass	\$ 111.21
8231-050	Satin Brass & Black	96.05
8231-102	Oil Rubbed Bronze	96.05
8231-112	Venetian Bronze	96.05
8231-150	Satin Nickel	96.05
8231-151	Antique Nickel	96.05
8231-260	Polished Chrome	96.05
8231-402	Dist. Oil Rubbed Bronze	111.21
8231-412	Dist. Venetian Bronze	111.21
8231-452	Dist. Ant. Nickel	111.21
8231-003-PAT	Patio, Lifetime Brass	80.88
8231-102-PAT	Patio, Oil Rubbed Bronze	70.77
8231-150-PAT	Patio, Satin Nickel	70.77
8231-151-PAT	Patio, Antique Nickel	70.77
8231-260-PAT	Patio, Polished Chrome	70.77
8231-402-PAT	Patio, Dist. Oil R. Bronze	80.88

SINGLE CYLINDER - CONTEMPORARY

8241-003	Lifetime Polished Brass	\$ 111.21
8241-102	Oil Rubbed Bronze	96.05
8241-112	Venetian Bronze	96.05
8241-150	Satin Nickel	96.05
8241-260	Polished Chrome	96.05
8241-264	Satin Chrome	96.05
8241-402	Dist. Oil Rubbed Bronze	111.21
8241-003-PAT	Patio, Lifetime Brass	80.88
8241-102-PAT	Patio, Oil Rubbed Bronze	70.77
8241-150-PAT	Patio, Satin Nickel	70.77

DOUBLE CYLINDER - TRADITIONAL

8232-003	Lifetime Polished Brass	\$ 136.49
8232-102	Oil Rubbed Bronze	121.32
8232-150	Satin Nickel	121.32
8232-151	Antique Nickel	121.32
8232-402	Dist. Oil Rubbed Bronze	136.49

DOUBLE CYLINDER - CONTEMPORARY

8242-102	Oil Rubbed Bronze	\$ 121.32
----------	-------------------	-----------

BALDWIN ESTATES

DEADBOLTS

BALDWIN DEADBOLTS for 2-1/8" Door Prep

These **low profile** dead bolts will cover a 2-1/8" cylindrical cutout. Other features: 1" throw is saw-proof, strike plate reinforcer, solid brass trim rings and Schlage "C" Keyway. **Grade 1**. Cross Bore: 2-1/8", Edge Bore: 1". For 1-3/4" thick doors. Proj: 9/16". Adjustable Backset: 2-3/8" and 2-3/4".

CONCEALS
CYLINDRICAL
CUT-OUTS

SOHO DEADBOLT - #8285

In Stock at MacPac

Covers 2-1/8" Cylindrical Cutout



Inside
Turnpiece

1/2" low profile
cylinder projection

Steel Case: .96" dia x 3.312".

Front: .156" x 1" x 2.25".

Code	Finish	List/ea
8285-102	Oil Rubbed Bronze	\$ 111.21
8285-150	Satin Nickel	111.21

Other finishes available Special Order

The following Deadbolts are available in all standard finishes Special Order.

CONTEMPORARY DEADBOLT - #8244



Inside
Turnpiece

#8244

Covers 2-1/8" Cylindrical Cutout

List \$130

SQUARED DEADBOLT - #8254



Inside
Turnpiece

#8254

Covers 2-1/8" Cylindrical Cutout

List \$110

ARCHED DEADBOLT - #8252



Inside
Turnpiece

#8252

Covers 2-1/8" Cylindrical Cutout

List \$110

BETHPAGE DEADBOLT - #8237



Inside
Turnpiece

#8237

Covers 2-1/8" Cylindrical Cutout

List \$110

DEADBOLT ACCESSORIES

BALDWIN DEADBOLT LATCH



8201

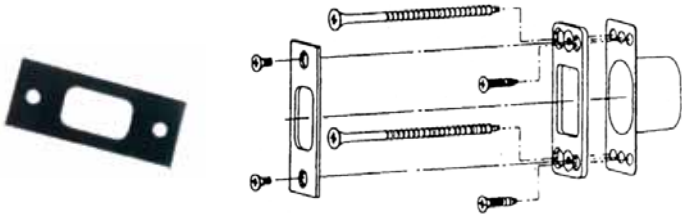
3

Furnished with a 1" throw. Contains a saw-proof hardened steel insert to prevent tampering. Fronts are adjustable for beveled door conditions. Adjustable Backset: 2-3/8" or 2-3/4". Front length: 2-1/4", Front width: 1".

Code	Type	Finishes	List/ea
8201-...-DB	Double Cylinder	003	\$ 40.44
		050,102, 150,151, 260	35.39
8208-...-DB	Single Cyl/ Patio	003	\$ 40.44
		102,150	35.39

SECURITY STRIKE (Standard)

For Baldwin Deadbolts



Supplied standard with all Baldwin auxiliary deadbolts. Has reinforcing plate and long screws for fastening through the jamb into a stud wall. This provides added security and tamper-resistant installation. With screws and dust box.

Strike: 1.125" x 2.75" x .064"
Reinforcing Plate: 1.1" x 2.725" x .125"
Dust box: 1.093" x 2.718" x .906"

Code	Finishes	List/ea
8000-...-STR	003,102,150,151,260	\$ 10.13

Finish Codes

- 003 - Lifetime Pol. Brass
- 260 - Polished Chrome
- 050 - Satin Brass & Black
- 150 - Satin Nickel
- 151 - Antique Nickel
- 102 - Oil R Bronze

DEADBOLT ACCESSORIES

BALDWIN TRIM RINGS



Trim rings are designed for use w/installation of deadbolts in 2-1/8" dia. door preparation. One pair of rings is required for use in this application for either Double or Single Cylinder or Cylinder/Turnpiece functions. Dimensions: 2.5" dia. 2 ea./box.

Code	Finishes	List/ea
8090-...	003, 050, 060, 102, 150, 151, 260, 264	\$ 15.17

BALDWIN CYLINDER SPACER

For 1-3/8" Doors



Dimensions: 2" Dia. Use when installation on a 1-3/8" door is required. Always used under cylinder collar. Two rings are required for double cylinder functions, one for single cylinder.

Code	Finishes	List/ea
8097-...	003, 050, 060, 102, 150, 151, 260, 264	\$ 15.17

BALDWIN CONVERSION KITS

Conversion Kit includes tailpieces, thru-bolts, and hex socket wrench for modifying standard deadbolts for use on doors 2" & 2-1/4" in thickness. One set/ box.



Code	Function	List/ea
8098-000-TP03	Cylinder/Turnpiece	\$ 5.06
8098-000-DC03	Double Cylinder	5.06

DEADBOLT TAILPIECES



Code	Finishes	List/ea
8053-028-TP425	Cylinder Tailpiece for single cylinder deadbolt, 1-3/4" doors.	\$ 7.49

CYLINDER COLLAR SPACER

For 8200 Series Deadbolts

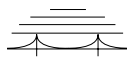


For installation on 1-3/8" doors. Use under cylinder collar. (Two rings are needed for double cylinder functions.)

No. 8297 For 1-3/8" Doors

Code	Finishes	List/ea
8297-...	003, 050, 102, 150, 151, 260	\$ 20.22

3



HOW TO ORDER A BALDWIN ESTATES LOCK

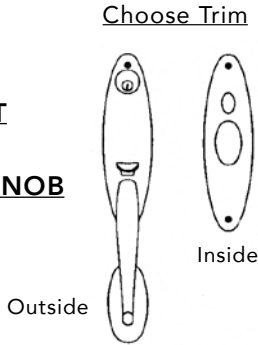
The Most Common Residential Applications

3

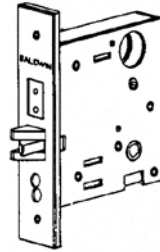
Baldwin Estates Entrance Sets (Key Locks)

- Full Design Flexibility
- Maximum Security
- Maximum Owner Convenience

HANDLESET TRIM WITH INTERIOR KNOB



Choose Cylinder

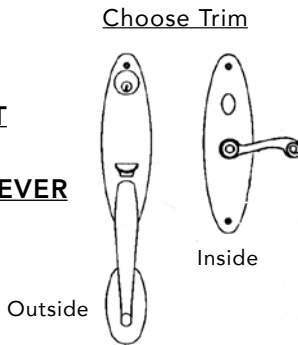


Choose Mortise Box

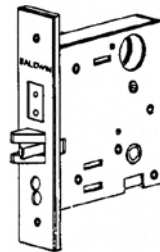
- *6321 (2-1/2" Backset)
- *6021 (2-3/4" Backset)

= Complete Lock

HANDLESET TRIM WITH INTERIOR LEVER



Choose Cylinder

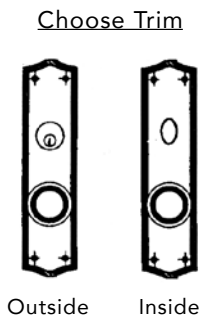


Choose Mortise Box

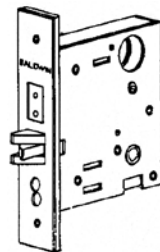
- 6830 (1-1/2" Backset)
- 6832 (2" Backset)
- *6321 LS (2-1/2" Backset)
- *6021 LS (2-3/4" Backset)

= Complete Lock

KNOB SET TRIM



Choose Cylinder

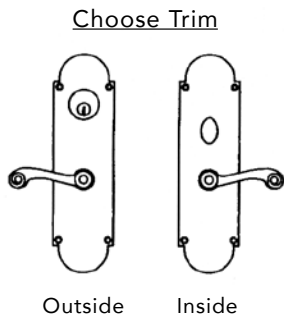


Choose Mortise Box

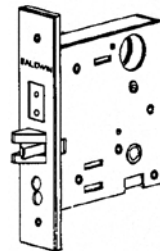
- *6375 (2-1/2" Backset)
- *6075 (2-3/4" Backset)

= Complete Lock

LEVER SET TRIM



Choose Cylinder



Choose Mortise Box

- 6800 (1-1/2" Backset)
- 6802 (2" Backset)
- *6375 LS (2-1/2" Backset)
- *6075 LS (2-3/4" Backset)

= Complete Lock

HOW TO ORDER BALDWIN ESTATES FOR 2-1/8" CROSS BORE

- Full Design Flexibility
- Premium Detailing
- 18° Latch Action
- Hand Polished

1) 2-1/8" CROSS BORE: PASSAGE SETS (INTERIOR LOCKS)



Choose 1 pair Levers or Knobs (minus rose) + Choose 1 pair 2-5/8" Roses 5048 (Traditional) or 5046 (Modern) or 5004 (Rope Design) (See Other Roses pg) + 1 each 6502-009 2-1/8" Cross Bore Adapter + 1 each Tubular Latch 5513 - Lever 5510 - Knob = Complete Set

2) 2-1/8" CROSS BORE: PRIVACY SETS (INTERIOR LOCKS)



Choose 1 pair Levers or Knobs (minus rose) + Choose 1 pair 2-5/8" Roses 5148 (Traditional) or 5146 (Modern) or 5149 (Rope Design) (See Other Roses pg) + 1 each 6502-009 2-1/8" Cross Bore Adapter + 1 each Tubular Latch 5513-P - Lever 5510-P - Knob = Complete Set

3) 2-1/8" CROSS BORE: FULL DUMMY SETS (INTERIOR LOCKS)

(For doors which have been pre-bored 2-1/8")



Choose 1 pair Levers or Knobs (minus rose) + Choose 1 pair 2-5/8" Roses 5048 (Traditional) or 5046 (Modern) or 5004 (Rope Design) (See Other Roses pg) + 1 each 6502-009 2-1/8" Cross Bore Adapter + 1 each 5090 Dummy Insert = Complete Dummy Set



HOW TO ORDER BALDWIN ESTATES FOR 3/4" CROSS BORE

1) 3/4" CROSSBORE: PASSAGE SETS (INTERIOR)

3

Pair of Levers
and Roses



+



5513
Lever Latch
2-3/8" Backset

=

**Complete
Set**

Pair of Knobs
and Roses



+



5510
Knob Latch
2-3/8" Backset

=

**Complete
Set**

2) 3/4" CROSSBORE: PRIVACY SETS (INTERIOR)

Pair of
Levers



+



5513-P
Lever Latch
2-3/8" Backset

+



Pair of 5139
Privacy Rose
(2-1/4" dia)

=

**Complete
Set**

Pair of
Knobs



+



5510-P
Knob Latch
2-3/8" Backset

+



Pair of 5139
Privacy Rose
(2-1/4" dia)

=

**Complete
Set**

OR: Order Passage Set as shown on #1 above, and install mortise bolt above it:



Privacy Bolt
2-3/8" Backset
0419 (Traditional) or
0418 (Modern)

+



Emergency Release
Trim (optional)
0416 (Traditional) or
0415 (Modern)

If different turnpiece
needed, order 0418 LT
plus the turnpiece
required.

=

**Complete
Set**

3) 3/4" CROSSBORE: FULL DUMMY SETS (INTERIOR)

Pair of Lever or
Knobs and Roses



+



Two each 5098-009
Dummy Trim Plates

=

**Full
Dummy
Set**

4) 3/4" CROSSBORE: SINGLE DUMMY SETS (INTERIOR)

1/2 Pair of Lever
or Knobs and
1/2 Pair Roses
(Specify hand)



+



One each 5098-004
Dummy Trim Plate
w/ Spindle

=

**Half Pair
Dummy
Set**

BALDWIN ESTATES

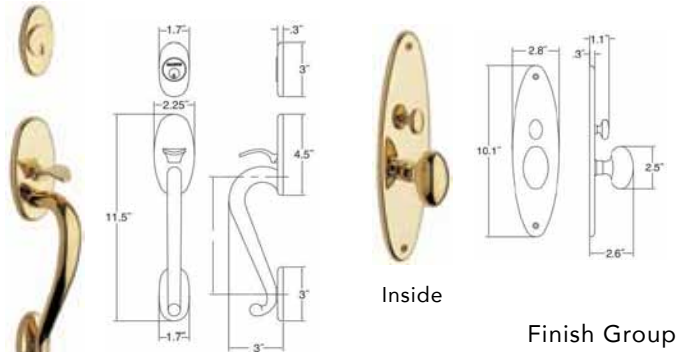
HANDLESET TRIM

BALDWIN HANDLESET TRIM

Prices for Trim Only. Mortise Box and Cylinder order separately. See Finish Groups/Codes on page 377.

LEXINGTON TRIM - 6560

Use 8323 Cylinder



Outside

Entry

Full Dummy

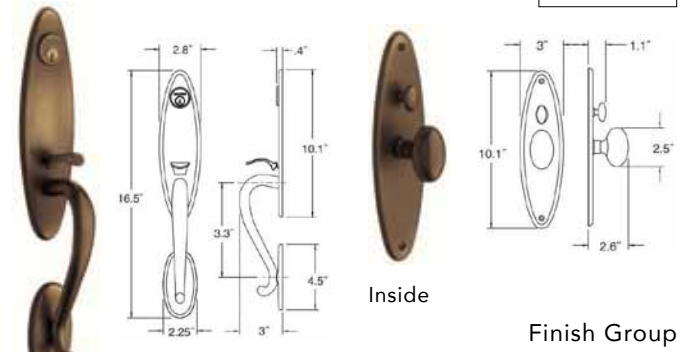
Inside

Finish Group	
A	B
\$ 495	\$ 570
495	570

SPRINGFIELD TRIM - 6573

Use 8323 Cylinder. Covers 2-1/2" bore.

CONCEALS CYLINDRICAL CUT-OUTS



Outside

Entry

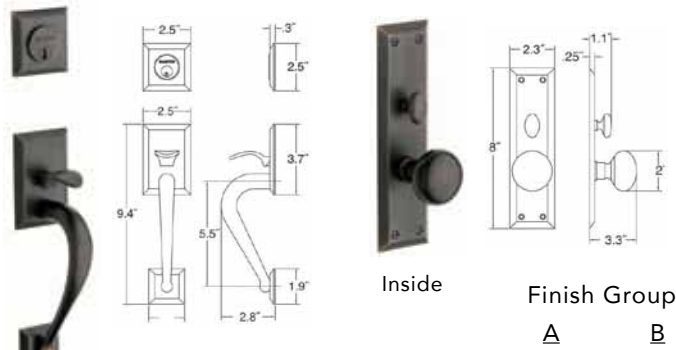
Full Dummy

Inside

Finish Group	
A	B
\$ 495	\$ 570
495	570

CONCORD TRIM - 6571

Use 8323 Cylinder



Outside

Entry

Full Dummy

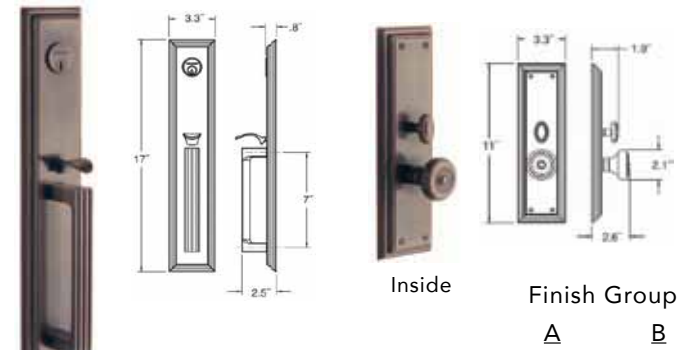
Inside

Finish Group	
A	B
\$ 495	\$ 570
495	570

TREMONT TRIM - 6542

Use 8326 Cylinder

CONCEALS CYLINDRICAL CUT-OUTS



Outside

Entry

Full Dummy

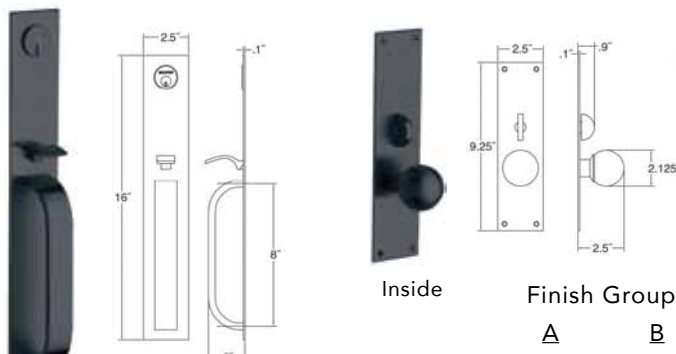
Inside

Finish Group	
A	B
\$ 795	\$ 870
795	870

CHICAGO TRIM - 6563

Use 8321 Cylinder

CONCEALS CYLINDRICAL CUT-OUTS



Outside

Entry

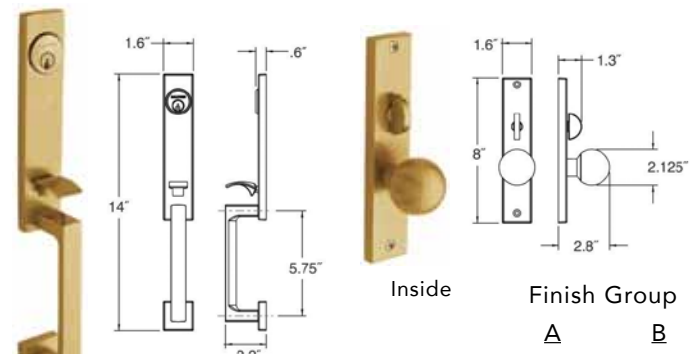
Full Dummy

Inside

Finish Group	
A	B
\$ 495	\$ 570
495	570

NEW YORK TRIM - 6562

Use 8323 Cylinder



Outside

Entry

Full Dummy

Inside

Finish Group	
A	B
\$ 495	\$ 570
495	570



HANDLESET TRIM

BALDWIN ESTATES

BALDWIN HANDLESET TRIM

Prices for Trim Only. Mortise Box and Cylinder order separately. Specify handing on leversets.
See Finish Groups/Codes on page 377.

3 SAN DIEGO TRIM - 6540

Use 8321 Cylinder

CONCEALS
CYLINDRICAL
CUT-OUTS

		Finish Group	
		A	B
Entry		\$ 495	\$ 570
Full Dummy		495	570

ATLANTA TRIM - 6570

Use 8323 Cylinder

		Finish Group	
		A	B
Entry		\$ 495	\$ 570
Full Dummy		495	570

RICHMOND TRIM - 6557

Use 8321 Cylinder

		Finish Group	
		A	B
Entry		\$ 495	\$ 570
Full Dummy		495	570

MONTEREY TRIM - 6565

Use 8321 Cylinder

		Finish Group	
		A	B
Entry		\$ 495	\$ 570
Full Dummy		495	570

LAKESHORE TRIM - 6966

Use 8323 Cylinder

		Finish Group	
		A	B
Entry		\$ 795	\$ 870
Full Dummy		795	870

EDINBURGH TRIM - 6952

Use 8324 Cylinder

CONCEALS
CYLINDRICAL
CUT-OUTS

		Finish Group	
		A	B
Entry		\$ 795	\$ 870
Full Dummy		795	870

BALDWIN ESTATES

HANDLESET TRIM

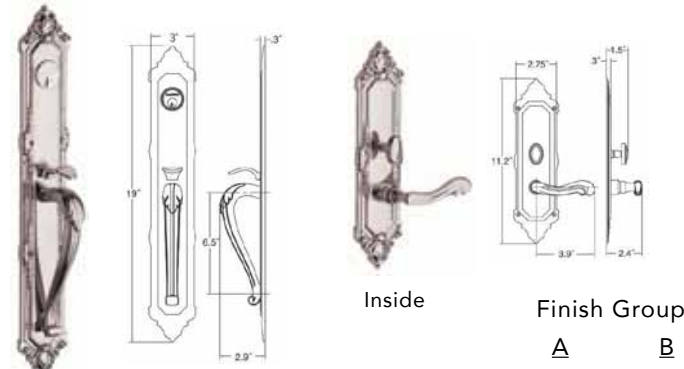
BALDWIN HANDLESET TRIM

Prices for Trim Only. Mortise Box and Cylinder order separately. Specify handing on leversets.
See Finish Groups/Codes on page 377.

KENSINGTON TRIM - 6950

Use 8323 Cylinder

CONCEALS CYLINDRICAL CUT-OUTS



Outside

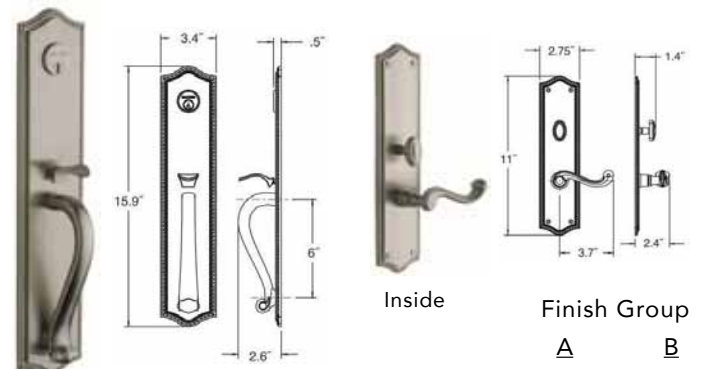
Inside

	Finish Group	
	A	B
Entry	\$ 795	\$ 870
Full Dummy	795	870

BRISTOL TRIM - 6963

Use 8323 Cylinder

CONCEALS CYLINDRICAL CUT-OUTS



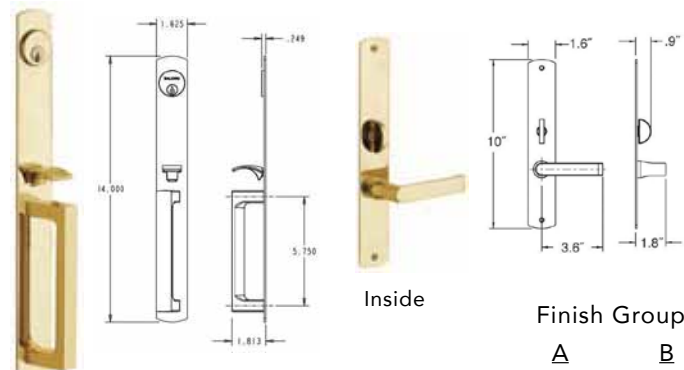
Outside

Inside

	Finish Group	
	A	B
Entry	\$ 795	\$ 870
Full Dummy	795	870

DALLAS TRIM - 6931

Use 8323 Cylinder



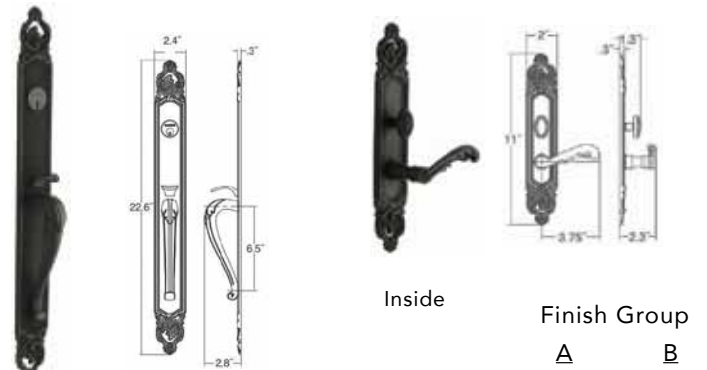
Outside

Inside

	Finish Group	
	A	B
Entry	\$ 495	\$ 570
Full Dummy	495	570

VICTORIA TRIM - 6948

Use 8322 Cylinder



Outside

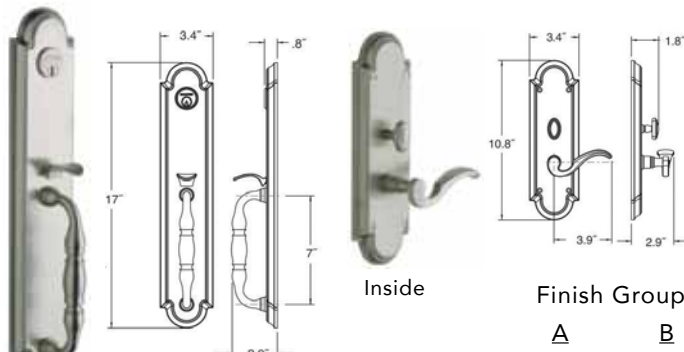
Inside

	Finish Group	
	A	B
Entry	\$ 795	\$ 870
Full Dummy	795	870

HAMILTON TRIM - 6544

Use 8326 Cylinder

CONCEALS CYLINDRICAL CUT-OUTS




Outside

Inside

	Finish Group	
	A	B
Entry	\$ 795	\$ 870
Full Dummy	795	870

MINNEAPOLIS TRIM - 6976

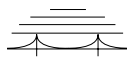
Use 8323 Cylinder



Outside

Inside

	Finish Group	
	A	B
Entry	\$ 495	\$ 570
Full Dummy	495	570



HANDLESET TRIM

BALDWIN ESTATES

BALDWIN HANDLESET TRIM

Prices for Trim Only. Mortise Box and Cylinder order separately. Specify handing on leversets. See Finish Groups/Codes on page 377.

3

RICHLAND TRIM - 6999

Use 8324 Cylinder

CONCEALS CYLINDRICAL CUT-OUTS

	Inside		Finish Group	
Outside	Entry		A B	
	Full Dummy		\$ 795 \$ 870	
			795 870	

PASADENA TRIM - 6944

Use 8323 Cylinder

CONCEALS CYLINDRICAL CUT-OUTS

	Inside		Finish Group	
Outside	Entry		A B	
	Full Dummy		\$ 795 \$ 870	
			795 870	

CODY FULL ESCUTCHEON TRIM - M504

Use 8325 Cylinder. Choose Interior Knob or Lever.

M504 CODY TRIM

		Finish Group		
		A B		
Entry		\$ 595 \$ 670		
Full Dummy		595 670		

BALDWIN EXTERIOR KNOB SETS

Prices for Trim Only. Mortise Box and Cylinder order separately.

BARCLAY DESIGN - 6554

Use 8323 Cylinder

CONCEALS CYLINDRICAL CUT-OUTS

	Inside		Finish Group	
Outside	Entry		A B	
	Full Dummy		\$ 495 \$ 570	
			495 570	

BALTIMORE DESIGN - 6552

Use 8322 Cylinder

CONCEALS CYLINDRICAL CUT-OUTS

	Inside		Finish Group	
Outside	Entry		A B	
	Full Dummy		\$ 395 \$ 470	
			395 470	

BALDWIN ESTATES

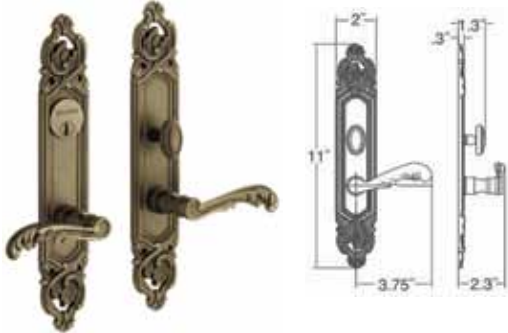
EXTERIOR LEVER SETS

BALDWIN EXTERIOR LEVER SETS

Prices for Trim Only. Mortise Box and Cylinder order separately. See Finish Groups/Codes on page 377.

VERSAILLES - 6933

Use 8322 Cylinder

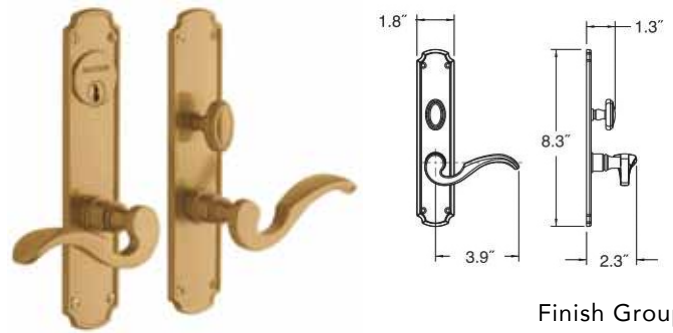


Outside Inside

	Finish Group	
	<u>A</u>	<u>B</u>
Entry	\$ 495	\$ 570
Full Dummy	495	570

BISMARCK - 6942

Use 8322 Cylinder

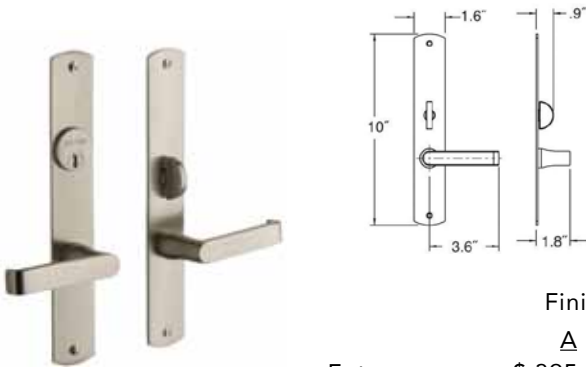


Outside Inside

	Finish Group	
	<u>A</u>	<u>B</u>
Entry	\$ 395	\$ 470
Full Dummy	395	470

DENVER - 6940

Use 8322 Cylinder

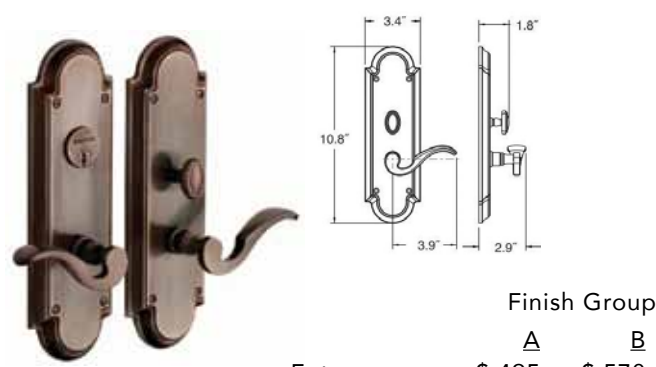


Outside Inside

	Finish Group	
	<u>A</u>	<u>B</u>
Entry	\$ 395	\$ 470
Full Dummy	395	470

STANFORD - 6951

Use 8322 Cylinder



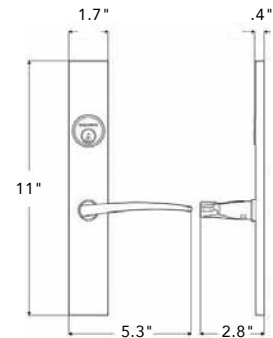
Outside Inside

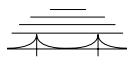
	Finish Group	
	<u>A</u>	<u>B</u>
Entry	\$ 495	\$ 570
Full Dummy	495	570

SANTA MONICA - 6915

Use 8323 Cylinder

	Finish Group	
	<u>A</u>	<u>B</u>
Entry	\$ 495	\$ 570
Full Dummy	495	570





MORTISE LOCKS

BALDWIN ESTATES

BALDWIN MORTISE LOCKS - HANDLESETS

Important: Please read the following instructions before Ordering Baldwin Mortise Lock Handlesets.

3

When Ordering a Baldwin Mortise Lock with a Handleset on one side and a Knob or Lever on the other side, the following information must be given: First give the stock number for the design of the desired exterior handle and interior knob trim combination, and then give the stock number for the desired lock function.

Second, give the hand of the door, the door thickness (if different than 1-3/4"), the finish of the lock, and the cylinder number.

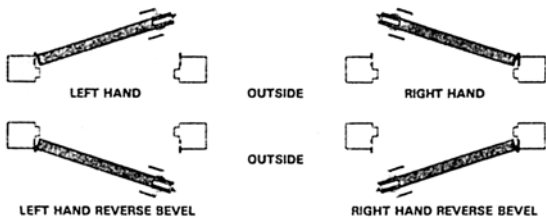
For example, a 'Lexington' design with a 'Residential Entrance' function for a 1-3/4" right hand door with a 2-3/4" backset, in a Bright Brass Finish would be written as:

- 1 ea. 6560-003 Trim
- 1 ea. 6021-003 RHLC Mortise Lock
- 1 ea. 8323-003 Cylinder

Please note that the trim lock functions are priced separately and must be added together for the total price.

The 2-1/2" Backset lock functions are to be used on doors with stiles of 4" (or greater). To order DUMMY TRIM give the Handleset design number and follow it by the letters 'FD', i.e. 6560-030 FD - no lock functions necessary for dummies. If you do not want the inside knob that comes with the handles, other knobs may be substituted and ordered special from the factory.

HOW TO HAND A DOOR

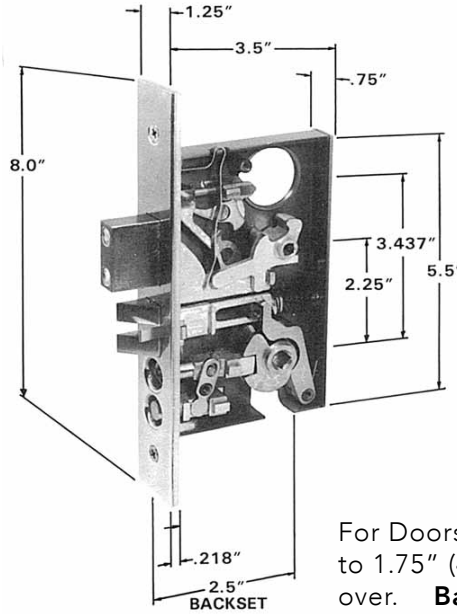


Here are a few rules to follow:

1. The outside of an exterior door is the street/entrance side.
2. The outside of a room door is the hall side.
3. The outside of a single communicating door is the side from which the hinges are not visible when the door is closed.
4. The outside of a closet door is the room or hall side.

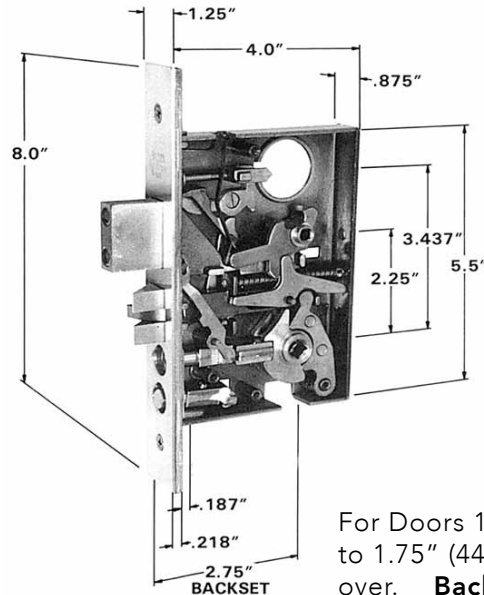
BALDWIN HEAVY DUTY MORTISE LOCKS

Case Dimensions



For Doors 1.375" (35mm) to 1.75" (44mm) thick & over. **Backset: 2-1/2"**

#6321 Case



For Doors 1.375" (35mm) to 1.75" (44mm) thick & over. **Backset: 2-3/4"**

#6021 Case

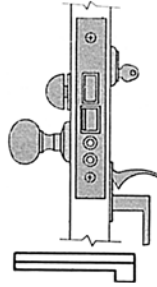
BALDWIN ESTATES

MORTISE LOCKS

HANDLESET X KNOB RESIDENTIAL ENTRANCE

"Panic Proof"

Latch bolt by thumbpiece outside and knob inside, except when thumbpiece is locked by stop in front; then latch bolt by key outside & knob inside. Deadbolt by key outside & turn piece inside. When deadbolt is thrown, stop is automatically activated making outside thumbpiece rigid. Inside knob retracts latch and deadbolt simultaneously but DOES NOT free outside thumb piece.



Inside Outside
Knob Knob

1" throw deadbolt with saw-proof inserts is standard. When extended, deadbolt deadlocks latch bolt.

Backset: 2-3/4"

Finish Group

Code	Handing	A	B
6021-... LHLC	Left Hand	\$ 330	\$ 350
6021-... RHLC	Right Hand	330	350

Finishes Available:

003, 050, 060, 102, 112, 150, 151, 260, 264

Backset: 2-1/2"

Code	Handing	A	B
6321-... LHLC	Left Hand	\$ 330	\$ 350
6321-... RHLC	Right Hand	330	350

Finishes Available:

003, 050, 060, 102, 112, 150, 151, 260, 264

Mortise locks NOT available in Distressed finishes, non-distressed equivalents:

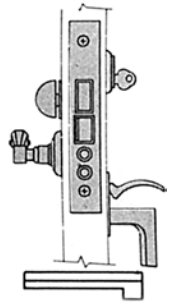
- 402 = 102
- 412 = 112
- 452 = 152 or 151

Other finishes and Special Functions available Special Order

HANDLESET X LEVER RESIDENTIAL ENTRANCE

"Panic Proof"

Latch bolt by thumbpiece outside and lever inside, except when thumbpiece is locked by stop in front; then latch bolt by key outside & lever inside. Deadbolt by key outside & turn piece inside. When deadbolt is thrown, stop is automatically activated making outside thumbpiece rigid. Inside lever retracts latch and deadbolt simultaneously but DOES NOT free outside thumb piece.



Inside Outside
Lever Lever

1" throw deadbolt with saw-proof inserts is standard. When extended, deadbolt deadlocks latch bolt.

Backset: 2-3/4"

Finish Group

Code	Handing	A	B
6021-... LHLC LS	Left Hand	\$ 330	\$ 350
6021-... RHLC LS	Right Hand	330	350

Finishes Available:

003, 102, 112, 150, 151

Backset: 2-1/2"

Code	Handing	A	B
6321-... LHLC LS	Left Hand	\$ 330	\$ 350
6321-... RHLC LS	Right Hand	330	350

Finishes Available:

003, 060, 102, 112, 150, 151, 260

Mortise locks NOT available in Distressed finishes, non-distressed equivalents:

- 402 = 102
- 412 = 112
- 452 = 152 or 151

Other finishes and Special Functions available Special Order

Finish Codes (see groups on page 377)

003 - Lifetime Pol. Brass	050 - Dark Antique Brass	060 - Light Antique Brass	102 - Oil R Bronze
112 - Venetian Bronze	150 - Satin Nickel	151 - Antique Nickel	260 - Pol. Chrome
264 - Satin Chrome			

All Lock Prices are Without Cylinder. Order Cylinder Separately.



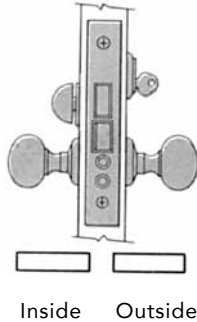
MORTISE LOCKS

BALDWIN ESTATES

KNOB X KNOB RESIDENTIAL ENTRANCE

"Panic Proof"

Latch bolt by knob from either side, except when outside knob is locked by stop in front; then latch bolt by key outside and knob inside. Deadbolt by key outside and turn piece inside. When deadbolt is thrown, stop is automatically activated making outside knob rigid. Inside knob retracts latch and deadbolt simultaneously but DOES NOT free outside knob.



1" throw deadbolt with saw-proof inserts is standard. When extended, deadbolt deadlocks latch bolt.

Backset: 2-3/4"		Finish Group	
<u>Code</u>	<u>Handing</u>	<u>A</u>	<u>B</u>
6075-... LHLC	Left Hand	\$ 330	\$ 350
6075-... RHLC	Right Hand	330	350

Finishes Available:
003, 102, 260

Backset: 2-1/2"		<u>A</u>	<u>B</u>
<u>Code</u>	<u>Handing</u>		
6375-... LHLC	Left Hand	\$ 330	\$ 350
6375-... RHLC	Right Hand	330	350

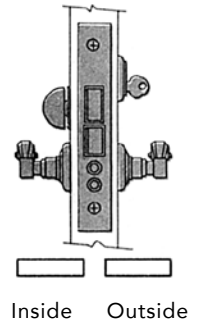
Finishes Available:
003, 060, 102, 150, 260, 264

Other finishes and Special Functions available Special Order

LEVER X LEVER RESIDENTIAL ENTRANCE

"Panic Proof"

Latch bolt by lever from either side, except when outside lever is locked by stop in front; then latch bolt by key outside and lever inside. Deadbolt by key outside and turn piece inside. When deadbolt is thrown, stop is automatically activated making outside lever rigid. Inside lever retracts latch and deadbolt simultaneously but DOES NOT free outside knob.



1" throw deadbolt with saw-proof inserts is standard. When extended, deadbolt deadlocks latch bolt.

Backset: 2-3/4"		Finish Group	
<u>Code</u>	<u>Handing</u>	<u>A</u>	<u>B</u>
6075-... LHLC LS	Left Hand	\$ 330	\$ 350
6075-... RHLC LS	Right Hand	330	350

Finishes Available:
003, 102, 260

Backset: 2-1/2"		<u>A</u>	<u>B</u>
<u>Code</u>	<u>Handing</u>		
6375-... LHLC LS	Left Hand	\$ 330	\$ 350
6375-... RHLC LS	Right Hand	330	350

Finishes Available:
003, 060, 102, 150, 260

Other finishes and Special Functions available Special Order

Finish Codes (see groups on page 377)

- | | | | |
|---------------------------|--------------------------|---------------------------|--------------------|
| 003 - Lifetime Pol. Brass | 050 - Dark Antique Brass | 060 - Light Antique Brass | 102 - Oil R Bronze |
| 112 - Venetian Bronze | 150 - Satin Nickel | 151 - Antique Nickel | 260 - Pol. Chrome |
| 264 - Satin Chrome | | | |

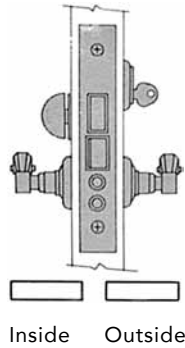
All Lock Prices are Without Cylinder. Order Cylinder Separately.

NARROW BACKSET MORTISE LOCKS

CYLINDERS

LEVER X LEVER ENTRANCE & APARTMENT

Latch bolt by lever from either side, except when outside lever is locked by stop in front; then latch bolt by key outside & lever inside. Deadbolt by key outside & turn piece inside. Continuous turn of key outside retracts both latch and deadbolt.



Backset: 1-1/2"

Code	Handing	Finish Group	
		A	B
6800-... LHLC	Left Hand	\$ 330	\$ 350
6800-... RHLC	Right Hand	330	350

Finishes Available:
003, 150

Backset: 2"

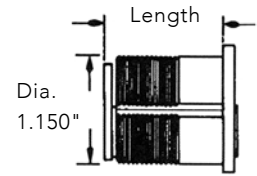
Code	Handing	Finish Group	
		A	B
6802-... LHLC	Left Hand	\$ 330	\$ 350
6802-... RHLC	Right Hand	330	350

Finishes Available:
003, 150

Other finishes and Special Functions available Special Order

All Lock Prices are Without Cylinder. Order Cylinder Separately.

BALDWIN MORTISE LOCK CYLINDERS



Baldwin 6 pin (5 pin for 1" (25mm)) precision mortise cylinders are made of solid extruded brass. Finish is applied to cap only. When ordered separately, cylinders are supplied with 2 nickel silver keys.

Length of Mortise Cylinders: The length of a Baldwin cylinder is the measurement from the back edge of the cylinder cap to the outer surface of the cam as illustrated.

Specify Finish Number When Ordering.

Code	Cylinder Length	Finish Group	
		A	B
8321-	1"	\$ 50	\$ 55
8322-	1.125"	50	55
8323-	1.25"	50	55
8324-	1.375"	50	55
8325-	1.5"	50	55
8326-	1.625"	110	115
8327-	1.75"	110	115
8328-	2"	110	115

Cylinders NOT available in Distressed finishes, non-distressed equivalents:

- 402 = 102
- 412 = 112
- 452 = 152 or 151



INTERIOR LEVERS

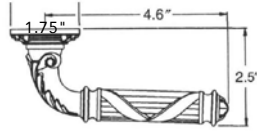
BALDWIN ESTATES LEVERS

Fine Detail, Hand Polished. Order Latches and Roses Separately. See Finish Groups/Code page 377.

3

5122 LEVER

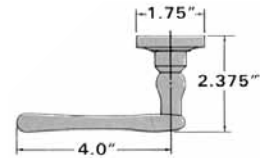
Shown with 5016 Rose



	Finish Group	
	A	B
5122-... MR	\$ 145	\$ 165

5108 LEVER

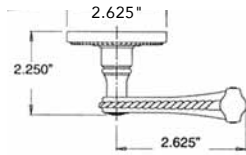
Shown with 5002 Rose



	Finish Group	
	A	B
5108-... MR	\$ 145	\$ 165

5104 LEVER

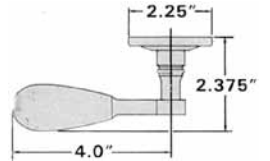
Shown with 5004 Rose



	Finish Group	
	A	B
5104-... MR	\$ 145	\$ 165

5152 LEVER

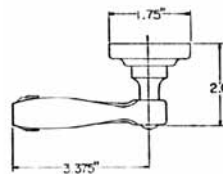
Shown with 5017 Rose



	Finish Group	
	A	B
5152-... MR	\$ 145	\$ 165

5103 LEVER

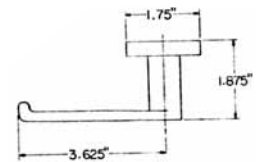
Shown with 5002 Rose



	Finish Group	
	A	B
5103-... MR	\$ 145	\$ 165

5105 LEVER

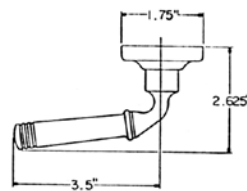
Shown with 5006 Rose



	Finish Group	
	A	B
5105-... MR	\$ 145	\$ 165

5114 LEVER

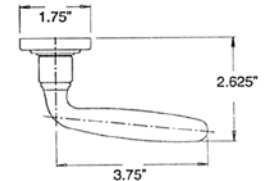
Shown with 5002 Rose



	Finish Group	
	A	B
5114-... MR	\$ 145	\$ 165

5106 LEVER

Shown with 5002 Rose



	Finish Group	
	A	B
5106-... MR	\$ 145	\$ 165

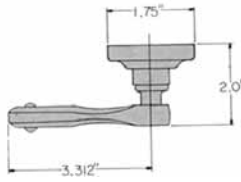
INTERIOR LEVERS

BALDWIN ESTATES LEVERS

Fine Detail, Hand Polished. Order Latches and Roses Separately. See Finish Groups/Code page 377.

5109 LEVER

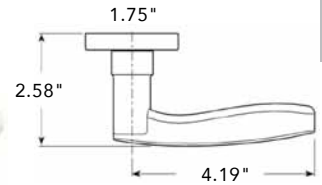
Shown with 5002 Rose



Finish Group
A B
5109-... MR \$ 145 \$ 165

5164 LEVER

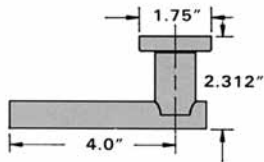
Shown with 5006 Rose



Finish Group
A B
5164-... MR \$ 145 \$ 165

5137 LEVER

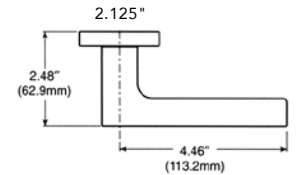
Shown with 5006 Rose



Finish Group
A B
5137-... MR \$ 145 \$ 165

5162 LEVER

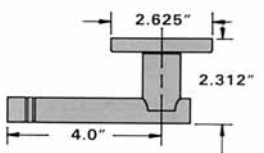
Shown with 5032 Rose



Finish Group
A B
5162-... MR \$ 145 \$ 165

5138 LEVER

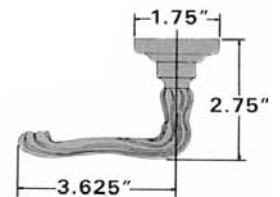
Shown with 5047 Rose



Finish Group
A B
5138-... MR \$ 145 \$ 165

5101 LEVER

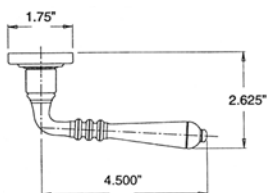
Shown with 5002 Rose



Finish Group
A B
5101-... MR \$ 145 \$ 165

5107 LEVER

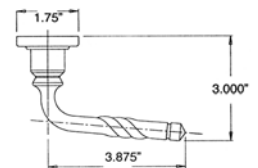
Shown with 5002 Rose



Finish Group
A B
5107-... MR \$ 145 \$ 165

5132 LEVER

Shown with 5002 Rose



Finish Group
A B
5132-... MR \$ 145 \$ 165



INTERIOR LEVERS

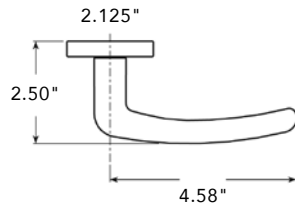
BALDWIN ESTATES LEVERS

Fine Detail, Hand Polished. Order Latches and Roses Separately.

3

5165 LEVER

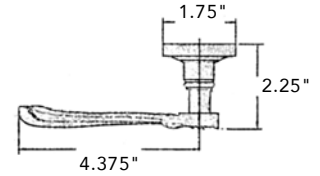
Shown with 5032 Rose



	Finish Group	
	A	B
5165-... MR	\$ 145	\$ 165

5117 LEVER

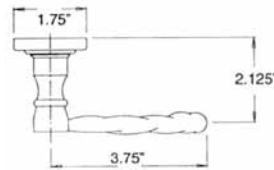
Shown with 5002 Rose



	Finish Group	
	A	B
5117-... MR	\$ 145	\$ 165

5121 LEVER

Shown with 5019 Rose



	Finish Group	
	A	B
5121-... MR	\$ 145	\$ 165

BALDWIN ESTATE FINISHES

Finish Group A

031, 030, 033, 034, 040, 050, 060,
102, 112, 150, 151, 190, 260, 264

Finish Group B

003, 055, 056, 402, 412, 452

Brass Tones



003
Lifetime Polished Brass



030
Polished Brass



031
Non-Lacquered Brass



033
Vintage Brass



034
Lacquered Vintage Brass



040
Satin Brass



050
Satin Brass & Black



060
Satin Brass & Brown

Silver Tones



055
Lifetime Polished Nickel



056
Lifetime Satin Nickel



150
Satin Nickel



151
Antique Nickel



260
Polished Chrome



264
Satin Chrome



452
Distressed Antique Nickel

Dark Tones



102
Oil Rubbed Bronze



112
Venetian Bronze



190
Satin Black



402
Distressed Oil Rubbed Bronze



412
Distressed Venetian Bronze

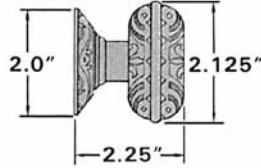
INTERIOR KNOBS

BALDWIN ESTATES KNOBS

Fine Detail, Hand Polished. Order Latches and Roses Separately. See Finish Groups/Code page 377.

5067 KNOB

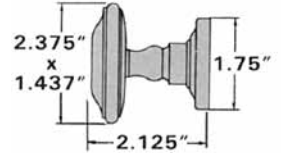
Shown with 5003 Rose



Finish Group
A B
5067-... MR \$ 145 \$ 165

5057 KNOB

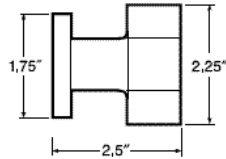
Shown with 5002 Rose



Finish Group
A B
5057-... MR \$ 145 \$ 165

5073 KNOB

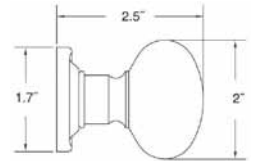
Shown with 5006 Rose



Finish Group
A B
5073-... MR \$ 145 \$ 165

5000 KNOB

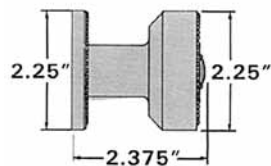
Shown with 5002 Rose



Finish Group
A B
5000-... MR \$ 145 \$ 165

5065 KNOB

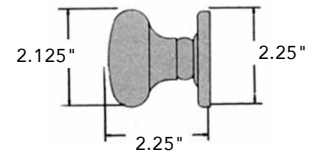
Shown with 5027 Rose



Finish Group
A B
5065-... MR \$ 145 \$ 165

5015 KNOB

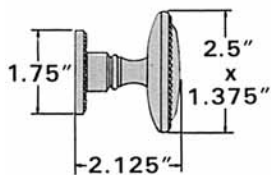
Shown with 5017 Rose



Finish Group
A B
5015-... MR \$ 115 \$ 135

5060 KNOB

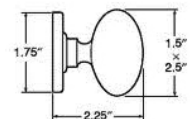
Shown with 5062 Rose



Finish Group
A B
5060-... MR \$ 145 \$ 165

5025 KNOB

Shown with 5002 Rose



Finish Group
A B
5025-... MR \$ 115 \$ 135



INTERIOR KNOBS

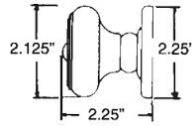
BALDWIN ESTATES KNOBS

Fine Detail, Hand Polished. Order Latches and Roses Separately. See Finish Groups/Code page 377.

3

5020 KNOB

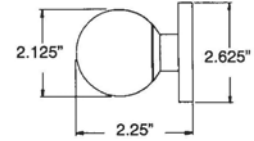
Shown with 5017 Rose



	Finish Group	
	A	B
5020-... MR	\$ 115	\$ 135

5041 KNOB

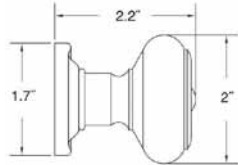
Shown with 5046 Rose



	Finish Group	
	A	B
5041-... MR	\$ 115	\$ 135

5005 KNOB

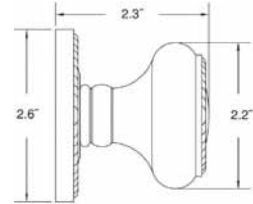
Shown with 5002 Rose



	Finish Group	
	A	B
5005-... MR	\$ 145	\$ 165

5064 KNOB

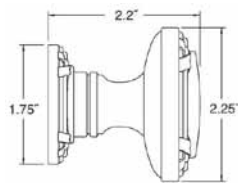
Shown with 5004 Rose



	Finish Group	
	A	B
5064-... MR	\$ 145	\$ 165

5013 KNOB

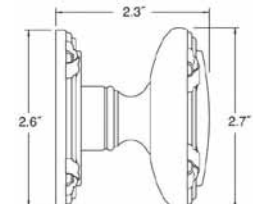
Shown with 5016 Rose



	Finish Group	
	A	B
5013-... MR	\$ 145	\$ 165

5031 KNOB

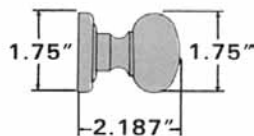
Shown with 5016 Rose



	Finish Group	
	A	B
5031-... MR	\$ 145	\$ 165

5030 KNOB

Shown with 5002 Rose



	Finish Group	
	A	B
5030-... MR	\$ 145	\$ 165

BALDWIN ROSETTES

SOLID BRASS FORGED ROSETTES See Finish Groups/Code page 377.

Traditional

Passage	Passage	Passage	Privacy			Finish Group	
				<u>Code</u>	<u>Description</u>	<u>A</u>	<u>B</u>
5002	5017	5048	5148	5002-...	Passage / Pair	\$ 36	\$ 46
1.75" Dia	2.25" Dia	2.625" Dia	2.625" Dia	5017-...	Passage / Pair	44	54
				5048-...	Passage / Pair	44	54
				5148-...	Privacy / Pair	44	54

Modern

Passage	Passage	Passage	Privacy			Finish Group	
				<u>Code</u>	<u>Description</u>	<u>A</u>	<u>B</u>
5006	5032	5046	5146	5006-...	Passage / Pair	\$ 36	\$ 46
1.75" Dia	2.125" Dia	2.625" Dia	2.625" Dia	5032-...	Passage / Pair	44	54
	5139			5139-...	Privacy / Pair	44	54
	2.125" Dia			5046-...	Passage / Pair	44	54

Modern-Ringed


	Passage		Passage		
5047	5047	5003	5003		
2.625" Dia	2.625" Dia	2"	2" Dia		
				Finish Group	
<u>Code</u>	<u>Description</u>	<u>A</u>	<u>B</u>		
5047-...	Passage / Pair	\$ 44	\$ 54		
5003-...	Passage / Pair	50	60		

Ornate

Rope

	Passage		Privacy		
5004	5004	5149	5149		
2.625" Dia	2.625" Dia	2.625" Dia	2.625" Dia		
				Finish Group	
<u>Code</u>	<u>Description</u>	<u>A</u>	<u>B</u>		
5004-...	Passage / Pair	\$ 50	\$ 60		
5149-...	Privacy / Pair	50	60		

Ornate

	Passage		Privacy		
5019	5019	5119	5119		
2.625" Dia	2.625" Dia	2.625" Dia	2.625" Dia		
				Finish Group	
<u>Code</u>	<u>Description</u>	<u>A</u>	<u>B</u>		
5019-...	Passage / Pair	\$ 50	\$ 60		
5119-...	Privacy / Pair	50	60		

Edinburgh

	Passage		Passage/Privacy		
5016	5016	5021/5145	5021/5145		
1.75" Dia	1.75" Dia	2.625" Dia	2.625" Dia		
				Finish Group	
<u>Code</u>	<u>Description</u>	<u>A</u>	<u>B</u>		
5016-...	Passage / Pair	\$ 36	\$ 46		
5021-...	Passage / Pair	50	60		
5145-...	Privacy / Pair	50	60		

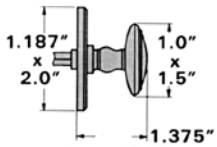
BALDWIN ACCESSORIES

FORGED BRASS TURN PIECES w/ BACKPLATES

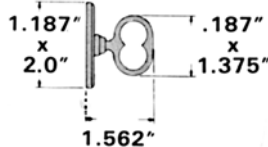
Baldwin turn pieces can be used with any Baldwin mortise lock which has a deadbolt. They can also be substituted for the standard turn piece on mortise bolts 0418 and 0419. The following turn pieces will accommodate doors up to 2-1/4".



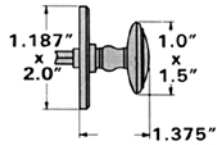
6734



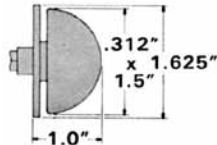
6728



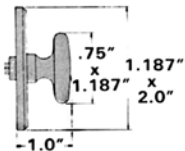
6732



6750



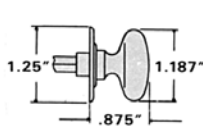
6751



Finish A
\$ 65 /ea.



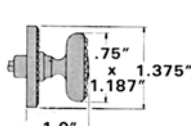
6756



Finish B
\$ 70 /ea.



6764



MORTISE LOCK CYLINDER TRIM

Baldwin cylinder trim will fit any Baldwin mortise lock cylinder. Cylinder not included.



6738 - Round
1.75" dia. (44mm) x
.375" proj.



6737 - Square
2.5" x 2.5" x .25"
(64 x 64mm)



6757 - Colonial
1.75" dia. (44mm) x
.3125" proj.



6754 - Oval
1.687" x 3" x .3125"
(43 x 76mm)



6755
Cover Plate
1.625" x 2.375"



6761
Dummy Cylinder
1.375" dia.



8300
Cylinder Collar
1.625" dia.

Note: Prepared to fit Baldwin mortise or rim cylinders only.

For use with escutcheons and sectional trim for symmetrical appearance on pairs of doors.

No. 8300 is a cylinder collar only - does not include cylinder.

Code	Description	Finish Group	
		A	B
6737-...	Square Cylinder Trim	\$ 45	\$ 50
6738-...	Round Cylinder Trim	45	50
6754-...	Oval Cylinder Trim	45	50
6755-...	Cylinder Cover Plate	\$ 95	\$ 100
6757-...	Colonial Cylinder Trim	45	50
6761-...	Dummy Cylinder	45	50
8300-...	Cylinder Collar	18	23

BALDWIN ESTATES

INTERIOR MORTISE LOCKS

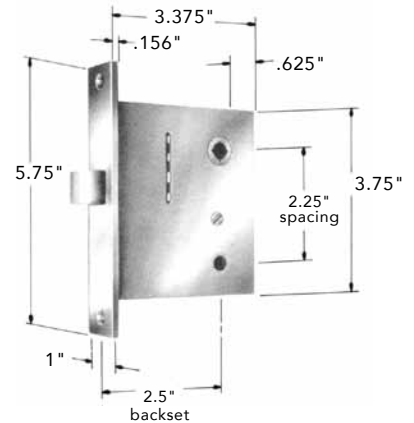
INTERIOR MORTISE LOCKS - SMALL CASE

Backset: 2-1/2" Smooth, rapid action.

- Quick and easy install on pre-prepared doors
- Heavy gauge steel case, solid forged brass interior working parts
- Completely reversible for all door conditions
- Turn pieces and Emergency Release Trim must be ordered separately
- Due to 2-1/4" spacing, not all Baldwin rosettes and ER trim will fit. To verify fit, add 1/2" height of rose and 1/2" height of ER trim, total cannot exceed 2-1/4"

Specially designed curved lip strike is fully reversible (non-handed); available in 1-1/4" Lip to Center dimension only. Dust box is furnished unattached; conceals installation marks and cutouts.

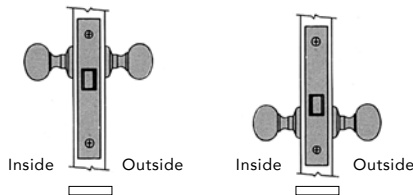
Packed: One mortise lock with a strike, dust box, fasteners and 3.5" spindle.



3

8530 - PASSAGE KNOB LOCK

Specify Finish / Handing



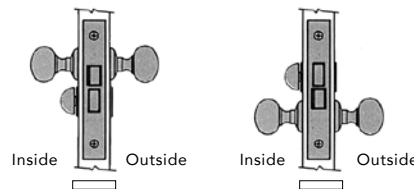
Locks are supplied as illustrated in left hand image To install as illustrated in right hand image, specify the **OPPOSITE HAND OF THE DOOR.**

Passage Interior Mortise Lock. Knob x Knob.
2-1/2" Backset.

Code	Finish Group	
	A	B
8530-... LH	\$ 145	\$ 165
8530-... RH	145	165

8540 - PRIVACY KNOB LOCK

Specify Finish / Handing



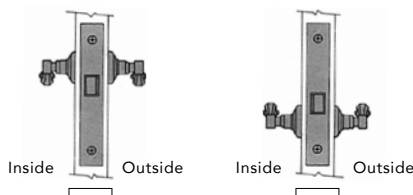
Locks are supplied as illustrated in left hand image To install as illustrated in right hand image, specify the **OPPOSITE HAND OF THE DOOR.**

Privacy Interior Mortise Lock. Knob x Knob.
2-1/2" Backset.

Code	Finish Group	
	A	B
8540-... LH	\$ 145	\$ 165
8540-... RH	145	165

8535 - PASSAGE LEVER LOCK

Specify Finish / Handing



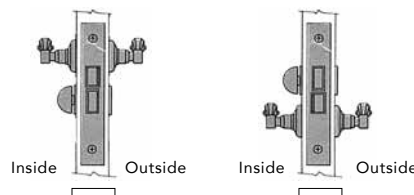
Locks are supplied as illustrated in left hand image To install as illustrated in right hand image, specify the **OPPOSITE HAND OF THE DOOR.**

Passage Interior Mortise Lock. Lever x Lever.
2-1/2" Backset.

Code	Finish Group	
	A	B
8535-... LH	\$ 145	\$ 165
8535-... RH	145	165

8545 - PRIVACY LEVER LOCK

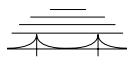
Specify Finish / Handing



Locks are supplied as illustrated in left hand image To install as illustrated in right hand image, specify the **OPPOSITE HAND OF THE DOOR.**

Privacy Interior Mortise Lock. Lever x Lever.
2-1/2" Backset.

Code	Finish Group	
	A	B
8545-... LH	\$ 145	\$ 165
8545-... RH	145	165

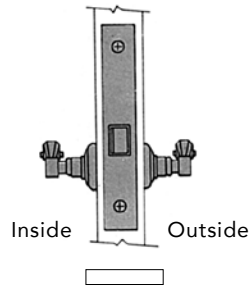


INTERIOR MORTISE LOCKS - HEAVY DUTY

BALDWIN ESTATES

PASSAGE FOR LEVERS

Latch bolt by lever either side.
No cylinder necessary.



Backset: 1-1/2"

Code	Handing	Finish Group	
		A	B
6855-... LH	Left hand	\$ 290	\$ 310
6855-... RH	Right hand	290	310

Backset: 2"

6857-... LH	Left hand	\$ 290	\$ 310
6857-... RH	Right hand	290	310

Backset: 2-1/2"

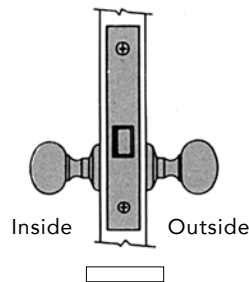
6318-... LH LS	Left hand	\$ 290	\$ 310
6318-... RH LS	Right hand	290	310

Backset: 2-3/4"

6110-... LH LS	Left hand	\$ 290	\$ 310
6110-... RH LS	Right hand	290	310

PASSAGE FOR KNOBS

Latch bolt by lever either side.
No cylinder necessary.



Backset: 2-1/2"

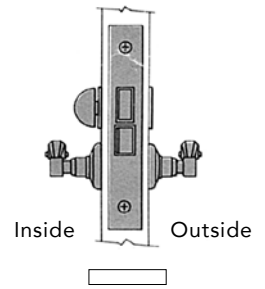
Code	Handing	Finish Group	
		A	B
6318-... LH	Left hand	\$ 290	\$ 310
6318-... RH	Right hand	290	310

Backset: 2-3/4"

6110-... LH	Left hand	\$ 290	\$ 310
6110-... RH	Right hand	290	310

PRIVACY FOR LEVERS

Latch bolt by lever either side. Deadbolt by turn piece inside and emergency key 0417 outside. 1" throw deadbolt with saw proof inserts is standard. When extended, deadbolt deadlocks latch bolt. No cylinder necessary.



Backset: 1-1/2"

Code	Handing	Finish Group	
		A	B
6845-... LH	Left hand	\$ 290	\$ 310
6845-... RH	Right hand	290	310

Backset: 2"

6847-... LH	Left hand	\$ 290	\$ 310
6847-... RH	Right hand	290	310

Backset: 2-1/2"

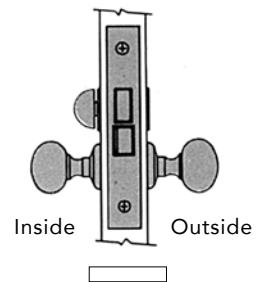
6315-... LH LS	Left hand	\$ 290	\$ 310
6315-... RH LS	Right hand	290	310

Backset: 2-3/4"

6100-... LH LS	Left hand	\$ 290	\$ 310
6100-... RH LS	Right hand	290	310

PRIVACY FOR KNOBS

Latch bolt by knob either side. Deadbolt by turn piece inside and emergency key 0417 outside. 1" throw deadbolt with saw proof inserts is standard. When extended, deadbolt deadlocks latch bolt. No cylinder necessary.



Backset: 2-1/2"

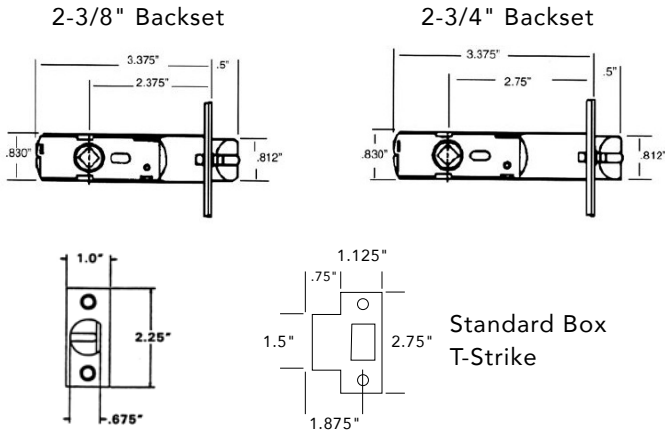
Code	Handing	Finish Group	
		A	B
6315-... LH	Left hand	\$ 290	\$ 310
6315-... RH	Right hand	290	310

Backset: 2-3/4"

6100-... LH	Left hand	\$ 290	\$ 310
6100-... RH	Right hand	290	310

BALDWIN LATCHES

INTERIOR TUBULAR LATCH SETS



PASSAGE LATCHES

5510, 5513 = 2-3/8" Backset
5520, 5523 = 2-3/4" Backset



Includes: Standard Box T-Strike, fasteners, dust box and spindle.

For Interior Passage Knob Sets

Code	Description	Finish Group	
		A	B
5510-...	2-3/8" BS, Knob Strength	\$ 55	\$ 60
5520-...	2-3/4" BS, Knob Strength	55	60

For Interior Passage Lever Sets

Code	Description	Finish Group	
		A	B
5513-...	2-3/8" BS, Lever Strength	\$ 55	\$ 60
5523-...	2-3/4" BS, Lever Strength	55	60

PRIVACY LATCHES

5510 P, 5513 P = 2-3/8" Backset
5520 P, 5523 P = 2-3/4" Backset



Includes: Standard Box T-Strike, fasteners, dust box and spindle.

For Interior Privacy Knob Sets

Code	Description	Finish Group	
		A	B
5510-... P	2-3/8" BS, Knob Strength	\$ 55	\$ 60
5520-... P	2-3/4" BS, Knob Strength	55	60

For Interior Privacy Lever Sets

Code	Description	Finish Group	
		A	B
5513-... P	2-3/8" BS, Lever Strength	\$ 55	\$ 60
5523-... P	2-3/4" BS, Lever Strength	55	60

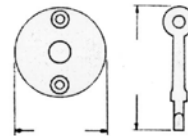
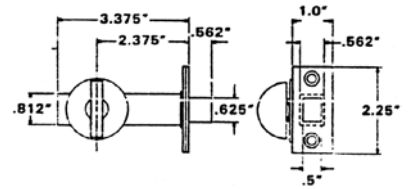
See Finish Groups/Code page 377

BALDWIN MORTISE BOLTS

PRIVACY TUBULAR MORTISE BOLTS

Contemporary Style

0418 = 2-3/8" Backset
0413 = 2-3/4" Backset

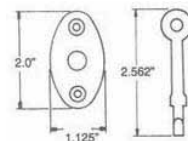
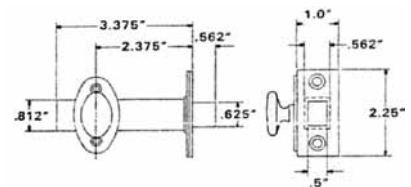


Emergency Release Key and Trim Set
For 0418 and 0413 Mortise Bolts

Code	Description	Finish Group	
		A	B
0418-...	2-3/8" Backset, Mortise Bolt	\$ 75	\$ 80
0413-...	2-3/4" Backset, Mortise Bolt	75	80
0415-...	Emergency Release Key Set	40	45

Traditional Style

0419 = 2-3/8" Backset
0414 = 2-3/4" Backset



Emergency Release Key and Trim Set
For 0419 and 0414 Mortise Bolts

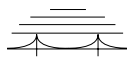
Code	Description	Finish Group	
		A	B
0419-...	2-3/8" Backset, Mortise Bolt	\$ 75	\$ 80
0414-...	2-3/4" Backset, Mortise Bolt	75	80
0416-...	Emergency Release Key Set	40	45

MORTISE BOLTS WITHOUT TURN PIECE

Backset: 2-3/8"



Code	Description	Finish Group	
		A	B
0418-... LT	Mortise Bolt - without Turn Piece	\$ 30	\$ 35

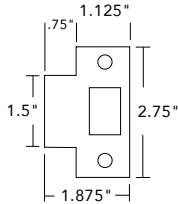


LATCH STRIKES

STANDARD BOX T-STRIKE

Size: .062" x 1.125" x 2.75". Lip to Center: 1.312".
Dust box furnished unattached.

3



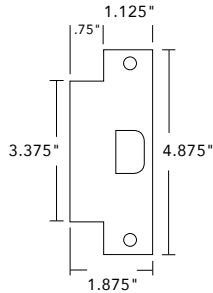
Cross section
.062" thickness

Finish Group

Code	A	B
5510-...-TSTR	\$ 15	\$ 20

ASA STRIKE

Size: .093" x 1.125" x 4.875". Lip to Center: 1.25".
Dust box not furnished.



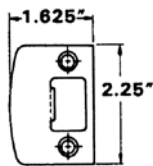
Cross section
.093" thickness

Finish Group

Code	A	B
5510-...-ASTR	\$ 15	\$ 20

FULL LIP STRIKE

Size: .050" x 1.625" x 2.25". Lip to Center: 1.125".
Dust box not furnished.

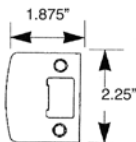


Finish Group

Code	A	B
5510-...-FSTR	\$ 15	\$ 20

EXTENDED FULL LIP STRIKE

Size: .050" x 1.875" x 2.25". Lip to Center: 1.375".
Strike designed for 2" and 2-1/4" thick doors.



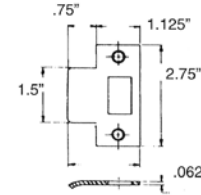
Finish Group

Code	A	B
5300-...-EFLS	\$ 15	\$ 20

BALDWIN PARTS

EXTENDED LIP T-STRIKE

Size: .062" x 1.25" x 2.75"

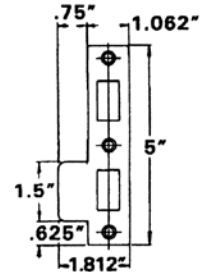


Finish Group

Code	Lip to Center	A	B
5510-...-E158	1.625"	\$ 15	\$ 20
5510-...-E178	1.875"	15	20
5510-...-E214	2.25"	15	20

COMBINATION PRIVACY STRIKE

Size: .093" x 1.062" x 5". Lip to Center: 1.281". Use with dust boxes furnished w/tubular latches & mortise bolts. Strike permits the use of tubular latches & mortise bolts with escutcheons only. No. 0417 Emergency Key is included. Specify Handing.

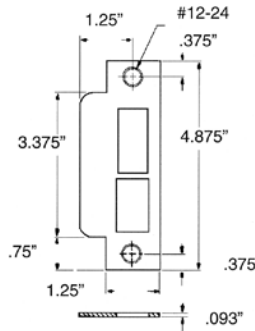


Finish Group

Code	A	B
5528-...	\$ 15	\$ 20

ASA LATCH/DEADBOLT STRIKE

Residential Entrance, Emergency Egress



- 6040 - For locks with a .625" wide latch bolt.
- 6340 - For locks with a .5" wide latch bolt.

Finish Group

Code	A	B
6040-...	\$ 30	\$ 35
6340-...	30	35

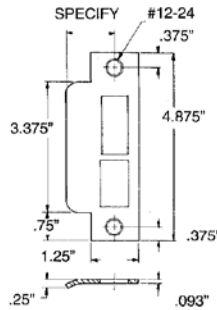
With curved lip, specify hand.

Code	A	B
6340-...XX	\$ 30	\$ 35

LATCH STRIKES

ASA EXTENDED LIP STRIKE

Use with locks installed on special door and frame conditions. Supplied with a curved lip only. Specify hand and finish. With screws. Lip to Center Length Determined by following formula: Door Thickness ÷ 2 + .375, round to closest size.



2.75" Backset Latch, Deadbolt Latch width: 5/8".

Code	Lip to Center	Hand	Finish Group	
			A	B
6039-...-L158	1-5/8"	LH	\$ 65	\$ 70
6039-...-R158	1-5/8"	RH	65	70

1.5", 2", 2.5" Backset Latch, Deadbolt Latch width: 1/2".

Code	Lip to Center	Hand	Finish Group	
			A	B
6339-...-L158	1-5/8"	LH	\$ 65	\$ 70
6339-...-R158	1-5/8"	RH	65	70
6339-...-L178	1-7/8"	LH	65	70
6339-...-R178	1-7/8"	RH	65	70
6339-...-L214	2-1/4"	LH	65	70
6339-...-R214	2-1/4"	RH	65	70

EMERGENCY RELEASE TRIM

BALDWIN EMERGENCY RELEASE TRIM

For use with Tubular Privacy Bolts and Privacy Mortise Locks. Trim sets provided with No. 0417 Emergency Release Key and No. 6701 Cover except for #0406 which only includes the key.

Important: To enable emergency trim to function, the turn piece spindle must be cut to extend no further than halfway through the bolt.

Code	Description	Finish Group	
		A	B
0403-...	Emergency Trim/Key Set	\$ 40	\$ 45
0404-...	Emergency Trim/Key Set	40	45
0405-...	Emergency Trim/Key Set	40	45
0406-...	Emergency Trim/Key Set	40	45
0407-...	Emergency Trim/Key Set	40	45
0415-...	Emergency Trim/Key Set	40	45
0416-...	Emergency Trim/Key Set	40	45
0417	Emergency Release Key	-	-
6701-...	Emergency Release Cover	\$ 10	\$ 15
6703-...	Emergency Bit Key	35	35



BALDWIN ESTATE FINISHES

Finish Group A

031, 030, 033, 034, 040, 050, 060,
102, 112, 150, 151, 190, 260, 264

Finish Group B

003, 055, 056, 402, 412, 452

3

Brass Tones



003
Lifetime
Polished Brass



030
Polished Brass



031
Non-Lacquered Brass



033
Vintage Brass



034
Lacquered
Vintage Brass



040
Satin Brass



050
Satin Brass
& Black



060
Satin Brass
& Brown

Silver Tones



055
Lifetime
Polished Nickel



056
Lifetime
Satin Nickel



150
Satin Nickel



151
Antique Nickel



260
Polished
Chrome



264
Satin Chrome

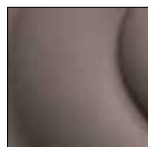


452
Distressed
Antique Nickel

Dark Tones



102
Oil Rubbed
Bronze



112
Venetian
Bronze



190
Satin Black



402
Distressed
Oil Rubbed
Bronze

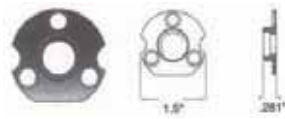


412
Distressed
Venetian Bronze

BALDWIN PARTS

SOLID BRASS BACKPLATE

Designed for use with all screwless roses on active trim.



Code	Description	List/ea
5097	For Round Roses	\$ 8.07
5097-009-N	For Roses: 5074, 5021, 5029	8.09

DUMMY TRIM BACKPLATE

Designed for use with all screwless roses on Half/Full Dummy applications.



Code	Description	List/ea
5098	Full Dummy Backplate	\$ 8.06
5098-004	Half Dummy w/ Spindle	8.07

DUMMY ADAPTER

For mounting escutcheons on Full Dummy applications (2 needed). 1.175" diameter.



Code	Description	List/ea
5099	Full Dummy Adapter	\$ 5.06

DOOR ADAPTER - 2-1/8" Cross Bore

Retrofits all 2.125" pre-bored doors allowing for Estate knob/lever installation. Works with Full Dummy, Passage and Privacy functions. Must use 2.625" or larger diameter rose/escutcheon to cover adapter. **MUST** be used if doors are pre-drilled.



6502.009

Code	Description	List/ea
6502-009	Cross Bore Adapter	\$ 10.11

ALIGNING TOOL & BUSHING

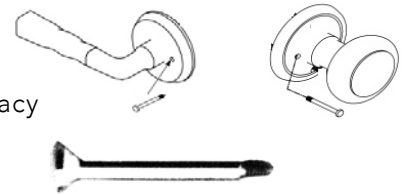
For use in proper alignment of knobs/levers and roses with mortise locks and tubular latches.



Code	Description	List/ea
8480-000	Aligning Tool	\$ 15.56

PRIVACY BUTTON

Furnished with all privacy tubular latch sets.



Code	Description	Finish Group	
		A	B
5510-...-0030	Privacy Button for all Knob Strength latches	\$ 10	\$ 15
5513-...-0030	Privacy Button for all Lever Strength latches	10	15

PRIVACY BUTTON EXTENDER

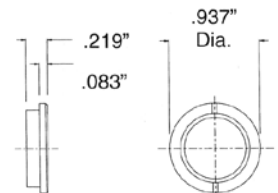
Use to extend length of privacy button in applications where hardware is installed on doors over 1.75" thick and/or with escutcheon plates thicker than .25".



5199-000
List \$ 5

ROSE RETAINER

Rose Retainers furnished standard with all Privacy Rosettes and Privacy Adapter Sets.



5197-000 List \$ 3

SET SCREW

Included with all Estates Knobs and Lever Sets.



1327-013-00005 List \$ 2.49/pr

BALDWIN PARTS

BALDWIN THICK DOOR ADAPTER KITS

For Wood Doors up to 2.25" Thick

3 These Mounting Hardware Adapter kits will allow Baldwin Estate (mortise) entry trim sets to accommodate wood doors greater than 1.75" and up to 2.25" thick.

<u>Kit</u>	<u>Used for Trim #</u>	<u>List</u>
6501-000-A	6515, 6520, 6526, 6540 6541, 6543, 6549, 6556, 6557, 6560, 6564, 6565, 6567, 6568, 6570, 6571, 6572, 6573, 6931, 6946, 6948, 6950, 6963, 6976 - active & dummy	\$ 6
6501-000-B	6548, 6562, 6563, 6915 - active & dummy	20
6501-000-C	6944, 6952, 6999 - active & dummy	30
6501-000-D	6542, 6544, 6545 - active only	18
6501-000-E	6542, 6544, 6545 - dummy only	22
6501-000-F	6966	26



LOCK MORTISER

Special Order

Model 513*
List \$ 2435



- 11 Amps, AC only
- 1-3/4 HP, 27,500 RPM
- Quick, accurate cutting of mortises for box locks
- Cuts mortises up to 7" long, 1-1/4" wide, 4-3/4" deep
- Automatically centers cutter on door edge
- Mounts to door in seconds
- Adjustable height rod for repetitive mortise cuts
- Includes height rod, 3/4" & 1" mortising bits, wrench set, and operating manual

BALDWIN PARTS

HALF DUMMY RIGID MOUNTING SPINDLE

Special Order only.

Base Dia: 1".
Spindle length: 2.25".
Door thickness: 1.375"
For added strength and appearance on dummy applications.

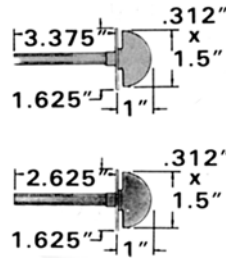


Code	Finish Group	
	A	B
5084-...	\$ 30	\$ 35

CLOSET SPINDLES

Special Order only.

For the inside of closet doors and low frequency use doors.
CAUTION: Closet spindles are difficult to turn and should not be used where children, aged, or physically handicapped people may lock themselves within a small space.



Finish Group

Code	Description	A	B
6748-...	For 1.75" thick door 3.375" Spindle length	\$ 45	\$ 50
6749-...	For 1.375" thick door 2.625" Spindle length	45	50

CLOSET SPINDLES FOR ADAPTERS

Special Order only.

For Pre-Drilled Doors. For the inside of closet doors and low frequency use doors in place of a knob or lever. Mounts with 6502.0009 Adapter.

CAUTION: Closet spindles are difficult to turn and should not be used where children, aged, or physically handicapped people may lock themselves within a small space.



Finish Group

Code	Description	A	B
5081-...	For 1.375" thick door 2.625" Spindle length	\$ 45	\$ 50
5082-...	For 1.75" thick door 3.375" Spindle length	45	50

See Finish Groups/Code page 377

HALF DUMMY SPINDLES

For mounting Estates knobs and levers to escutcheon plates.



Code	Size	List/ea
5077-004	1.5"	\$ 13.14
5091-004-A	.875"	13.14
5092-004-A	1.125"	13.14
5093-004-A	2.25"	9.03

STRAIGHT SPINDLES - PASSAGE



Code	Size	List/ea
0509	3"	\$ 12.13
0510	3.5"	17.19
0511	4"	12.13
0512	4.5"	17.19
0513	5"	17.19
0514	5.5"	17.19
0515	6"	17.19
0516	7"	17.19

SWIVEL SPINDLES - PRIVACY



Code	Size	List/ea
0519	3"	\$ 21.23
0520	3.5"	21.23
0521	4.5"	16.18
0522	4"	16.18
0523	5"	16.18
0524	5.5"	21.23
0525	6.5"	21.23

HALF SPINDLES



No. 530 is furnished standard on all Knob Entrance handle sets; No. 533 spindle is standard on all Lever Entrance Handlesets.

Code	Size	List/ea
0530-004	2.375"	\$ 12.13
0531-004	2.875"	12.13
0532-004	3.375"	12.13
0533-004	2.25"	12.13

Dealer No. C

SCREEN DOOR HARDWARE

SINGLE BORE LOCK

Single bore latch, 1" backset, requires a 15/16" hole. Has inside lock. Fully reversible. Door Thickness: 5/8" to 1-1/8".



Code	Finish	List/ea
1100301	Polished Brass	\$ 33.95
1100211	Venetian Bronze	53.93
1100151	Satin Nickel	47.57

STORM DOOR LOCK

Tubular latchset fits doors from 7/8" to 1-1/8" thick. Reversible, with inside privacy lock. Backset: 1-3/4". Edgebore: 5/8" .



Code	Finish	List/ea
1159301	Polished Brass	\$ 33.77
1159151	Satin Nickel	41.99

BELWITH GLASS REPLACEMENT KNOBS

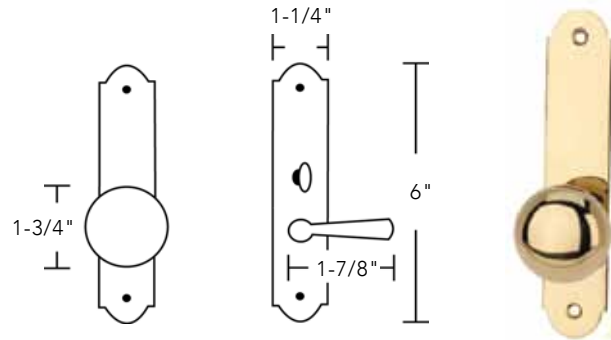
Glass Knob set includes one pair of knobs and a spindle.



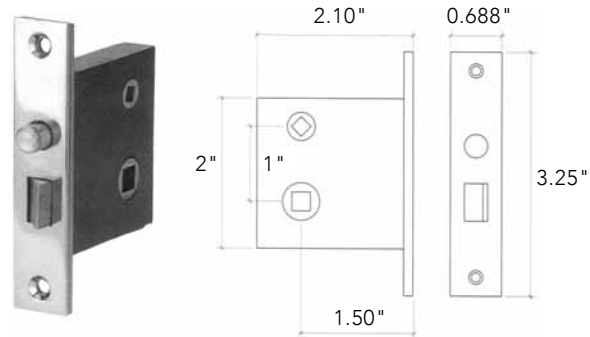
Code	Description	Ctn	List/cd
1140	Glass Knob Set	5	\$ 11.27

SCREEN DOOR MORTISE LOCK & TRIM

Eric Morris - All Special Order



Solid Brass Buckingham Trim. Knob Outside, Lever Inside.



The Latch Case is precision cast iron. Its small size makes mortising easy. Its smooth sides provide easy insertion. Interior working parts are powder forged brass. The Brass Front is applied over a steel sub face plate. Dual springs of Stainless Steel prevent lever sag. The Latch is field reversible. Two way hub rotation allows lock to be installed with the turn piece either above or below the lever. Minimum door thickness is 1-1/8". Use Thick Door Kit for doors over 1-3/8" and up to 1-3/4".

Trim is Solid Brass. Mortise Box is cast iron. Backset: 1-1/2". Straight lip strike.

Complete Lockset	Finish	List
8000/9000-605E	Pol. Brass, Tarn-Free	\$ 273
8000/9000-613	Oil R. Bronze	273
8000/9000-619	Satin Nickel	273
Full Dummy	Finish	List
8010FD-605E	Pol. Brass, Tarn-Free	\$ 209
Thick Door Kit	Finish	List
9000TDK	All Std. Finishes Avail.	\$ 48

ACCURATE LOCK

ACCURATE LOCK CUSTOM STRIKES

All Special Order

Accurate provides fast, high quality custom products.

Items include:

- Custom wraps
- Custom cover plates
- Custom face plates
- Custom filler plates
- Custom strikes (mortise, full lip, "T", profile, roller, ball catch, cremone, angle and double lip

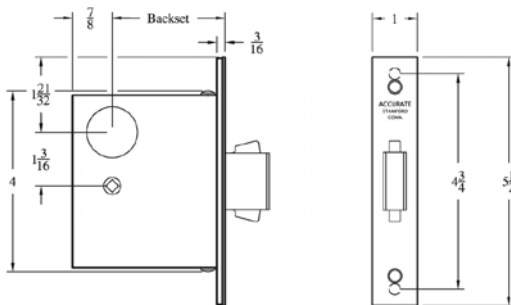


ACCURATE LOCK SLIDING DOOR LOCKS

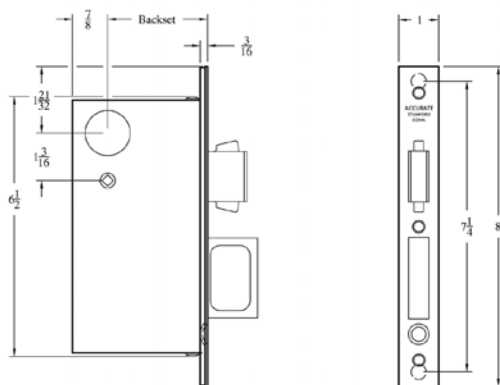
All Special Order



2001 Sliding Door Lock



2002 Pocket Door Lock with Pull

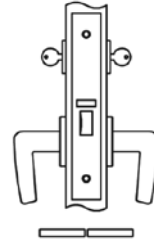


ACCURATE LOCK MORTISE LOCKS

Used by Omnia, Rocky Mtn, FSB, Emtek and Schlage

For use with lever handles and knobs.

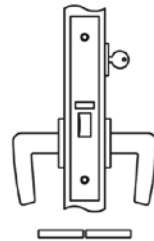
Cylinders and trim shown for illustration purposes only (supplied by others).



8842
For doors 1-3/4" min (1-1/4" armour front)

8742
For doors 1-3/8" min (1" armour front)

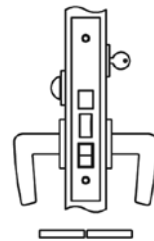
Entrance or public restroom Lock (ANSI Series 1000-F09)
Latch bolt by lever either side unless outside lever is locked by Master Key from inside.
When outside lever is locked, latch bolt by key outside and lever inside.
Auxiliary latch deadlocks latch bolt.



8845
For doors 1-3/4" min (1-1/4" armour front)

8745
For doors 1-3/8" min (1" armour front)

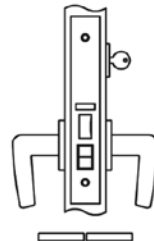
Classroom Lock (ANSI Series 1000-F05)
Latch bolt by key outside and lever either side unless outside lever is locked by key.
Auxiliary latch deadlocks latch bolt.



8848
For doors 1-3/4" min (1-1/4" armour front)

8748
For doors 1-3/8" min (1" armour front)

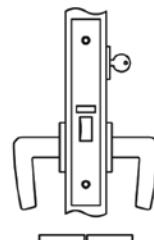
Entrance or Apartment Lock (ANSI Series 1000-F12)
Latch bolt by key outside and lever either side unless outside lever is locked by toggle action stop.
Dead bolt by key outside and turn piece inside.
Turning inside lever retracts latch and dead bolt simultaneously.
Outside lever remains locked until manually unlocked by toggle.



8856
For doors 1-3/4" min (1-1/4" armour front)

8756
For doors 1-3/8" min (1" armour front)

Entrance or Office Lock (ANSI Series 1000-F04)
Latch bolt by key outside and lever either side unless outside lever is locked by toggle action stop.
Auxiliary latch deadlocks latch bolt.



8859
For doors 1-3/4" min (1-1/4" armour front)

8759
For doors 1-3/8" min (1" armour front)

Storeroom or Closet Lock (ANSI Series 1000-F07)
Latch by lever inside and key outside.
Outside lever always RIGID.
Auxiliary latch deadlocks latch bolt.

3



All Special Order

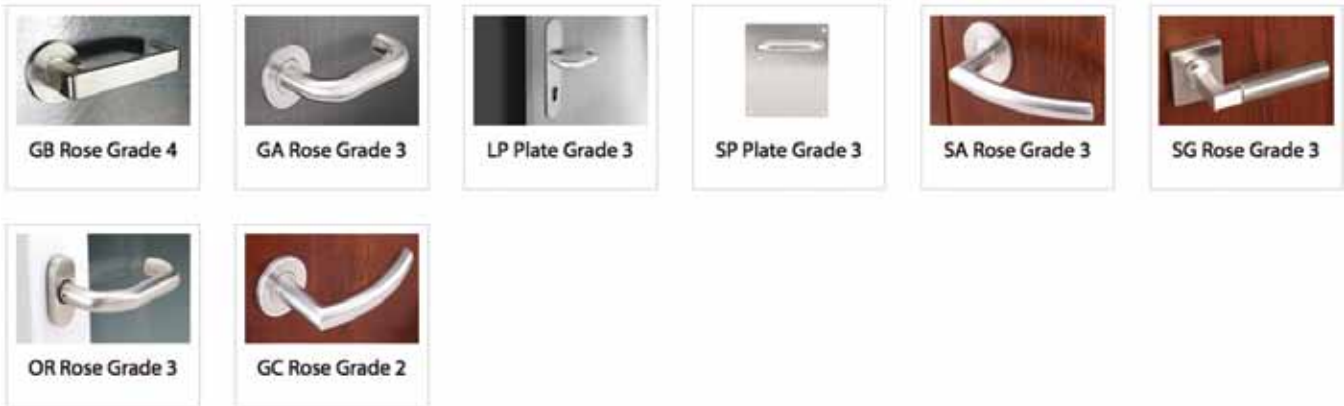
3

Residential ~ Commercial ~ European
Locks by Unison Hardware.

Go to: www.unisonhardware.com for a more detailed product listing.



European Lever Styles



US Lever Styles



Deadbolts

