

CUTTING BOARDS

MARCO BREADBOARDS/CUTTING BOARDS

Made From Alder

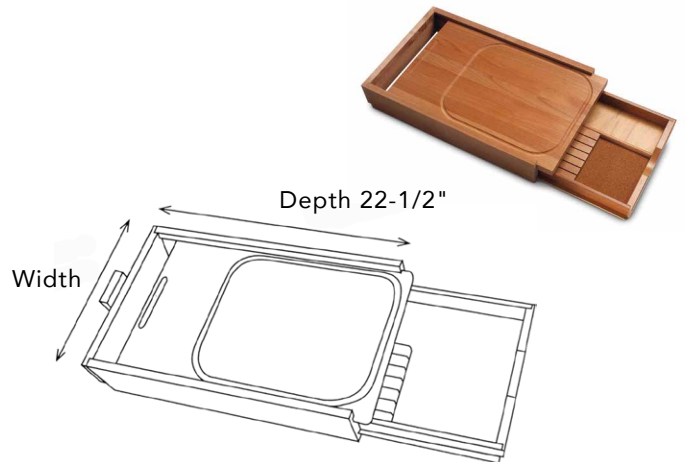
Edge grained hardwood pull-out breadboards have grooved finger pulls at each end and are reversible. All boards are sealed against moisture. All 3/4" thick Alder pull-out breadboards. Stocked with Alder, Oak or Maple finger pull ends.



Sealed finish prevents problems due to swelling and binding and maintains a cleaner surface for food.

Code	Size	Finger Pull End	Ctn	List/ea
BB1222	12" x 22"	Alder	12	\$ 32.78
BB1422	14" x 22"	Alder	12	37.57
BB1622	16" x 22"	Alder	6	40.58
BB1622-OA	16" x 22"	Oak	6	44.85
BB1822	18" x 22"	Alder	6	46.38
BB1822-M	18" x 22"	Maple	6	54.87
BB1822-OA	18" x 22"	Oak	6	49.88
BB2422	24" x 22"	Alder	6	56.81
BB2422-M	24" x 22"	Maple	6	73.33
BB2422-OA	24" x 22"	Oak	6	62.51

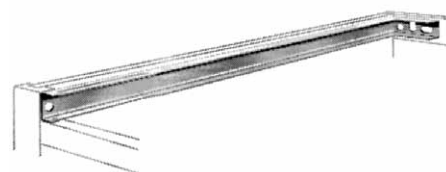
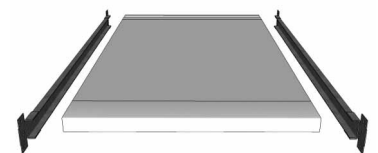
MARCO CABINET DRAWER CONVERSION KIT



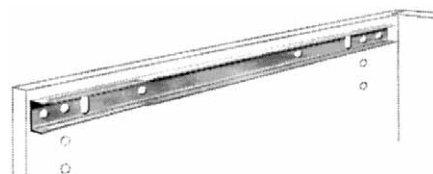
These Marco drawer inserts will convert a kitchen drawer into a knife storage area with a removable 1" thick cutting block. Cutting block has a permanent washable finish. All hardware is included. Hinges are supplied to reapply existing drawer front. Instructions included. Face frame: 1-1/2" to 1-5/8". One ea/box.

Code	Drawer Ht x Outside Width	List/ea
DI15-4	4" Ht x 11-11/16"	\$ 137.43
DI18-4	4" Ht x 14-11/16"	151.88
DI21-4	4" Ht x 17-11/16"	169.41
DI24-4	4" Ht x 20-11/16"	182.45

BREADBOARD SLIDES



No. 70BB-WH
For Face Frame



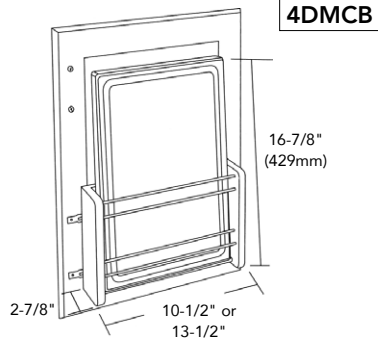
No. 80BB-WH
For Frameless

For complete Breadboard Slide selection see page 1550.

CUTTING BOARDS

CHINA RACKS

REV-A-SHELF® DOOR MOUNT CUTTING BOARD RACK WITH WOOD CUTTING BOARD



4DMCB-15	Width	Depth	Height
Rack	10-1/2"	2-7/8"	8"
Board	7-3/4"	1-1/4"	16"

4DMCB-18	Width	Depth	Height
Rack	13-1/2"	2-7/8"	8"
Board	10-3/4"	1-1/4"	16"



Adjustable Door Mounting Brackets (rear view) add up to 5" of adjustability to each side for mounting to back of cabinet door.

Includes: Maple hardwood cutting board (mineral oil treated), Door Rack and screws.

Both units: 2-7/8" Depth and 16-7/8" Height

Code	Base	Width	List/ea
4DMCB-15	15	10-1/2"	\$ 67.63
4DMCB-18	18	13-1/2"	76.41

COMBINATION KNIFE HOLDER/CUTTING BOARD

Rev-A-Shelf

- 4KCB-18
- 4KCB-21
- 4KCB-24



No drawer box needed! Just add a drawer front.

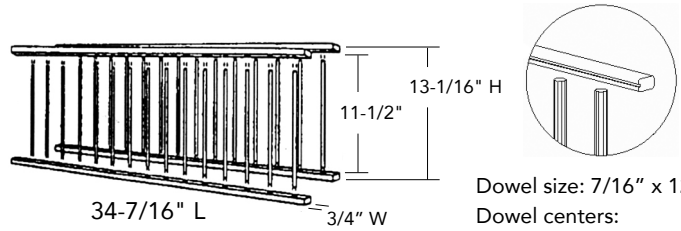
Combination Knife Holder/Cutting Board Contains:
Knife Rest, Cutting Board (mineral oil treated), Full extension slides, mounting hardware and screws.

Code	Dimensions	List/ea
4KCB-18	14-1/2" W x 22-1/4" D x 5" H	\$ 176.25
4KCB-21	17-1/2" W x 22-1/4" D x 5" H	194.57
4KCB-24	20-1/2" W x 22-1/4" D x 5" H	208.68

OMEGA HARDWOOD CHINA DISPLAY RACKS



P1100



Dowel size: 7/16" x 12"
Dowel centers: 2" spacing

Versatile design allows for trim capability for small size applications. Kit consists of two top and two bottom predrilled rails with 32 vertical fluted dowels, spaced on 2" centers. Convenient design offers 3 removable dowels for easy cleaning.

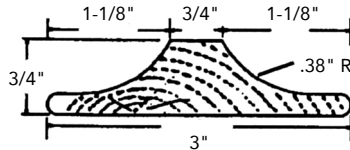
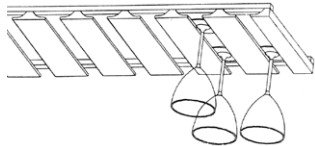
Code	Description	List/ea
P1100OUF2	Oak, Unfinished	\$ 59.93
P1100MUF2	Maple, Unfinished	65.90
P1100CUF2	Cherry, Unfinished	80.00
P1100QUF2	Alder, Unfinished	62.09

WINE RACKS

OMEGA STEMWARE RACKS



Solid wood stemware rack is designed to accommodate most sizes and styles of stemware. Sanded and ready-to-finish. Depth: 12".



Code	Rows	W x D	Wood	List/ea
S9600OUF1	4	18" x 12"	Oak	\$ 50.64
S9600MUF1	4	18" x 12"	Maple	62.32
S9620MUF1	7	30" x 12"	Maple	80.72
S9620QUF1	7	30" x 12"	Alder	82.73
S9620CUF1	7	30" x 12"	Cherry	123.79
S9630OUF1	8	36" x 12"	Oak	89.15
S9630MUF1	8	36" x 12"	Maple	90.60
S9630CUF1	8	36" x 12"	Cherry	149.13
S9630QUF1	8	36" x 12"	Alder	97.30

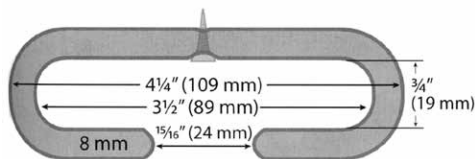


STEMWARE HOLDER

Four 11" racks hold up to 12 glasses.

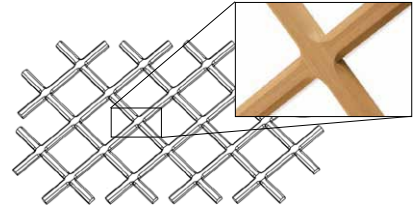


The Rev-A-Shelf 3150 stemware rack features heavy gauge wire construction and a hidden mounting plate. Easy to install. Dimensions: 4-1/4" W x 11" D x 1-1/2" H.



Code	Description	List/ea
3150-11ORB	11", Oil Rubbed Bronze	\$ 9.41
3150-11SN	11", Satin Nickel	8.05
3150-11CR	11", Chrome	7.06

OMEGA WINE RACK LATTICE



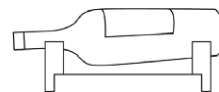
3-3/4" wide squares

Interlaced and flush-fit for a professional appearance. With chamfered edges. Sold in pairs (2 panels) without face frames. Can be cut to desired dimensions. 3-3/4" wide squares.

Code	Size	Wood	List/pr
L3380OUF9	17" x 29"	Oak	\$ 94.76
L3380MUF9	17" x 29"	Maple	103.16
L3380CUF9	17" x 29"	Cherry	116.60
L3380QUF9	17" x 29"	Alder	102.39
L3360OUF9	17" x 36"	Oak	115.44
L3360MUF9	17" x 36"	Maple	125.23
L3360CUF9	17" x 36"	Cherry	150.32
L3360QUF9	17" x 36"	Alder	125.10
L3340OUF9	23" x 29"	Oak	134.46
L3340MUF9	23" x 29"	Maple	155.01
L3340CUF9	23" x 29"	Cherry	177.10
L3340QUF9	23" x 29"	Alder	153.60
L3320OUF9	23" x 42"	Oak	167.64
L3320MUF9	23" x 42"	Maple	179.58
L3320CUF9	23" x 42"	Cherry	215.38
L3320QUF9	23" x 42"	Alder	203.37

OMEGA WINE BOTTLE RACK

Made of Solid Hardwood



Holds 11 bottles

Both members 3/4" thick

48" Overall Length

Front top edge is bullnosed w/ 3/8" radius



Products are both pre-rabbeted 3/8" x 3/8" on bottom
No Bullnose on back member

Code	Wood Specie	List/set
S9200AUF1	Ash	\$ 59.14
S9200CUF1	Cherry	79.31
S9200MUF1	Maple	63.75
S9200OUF1-RO	Red Oak	58.58



APPLIANCE GARAGE

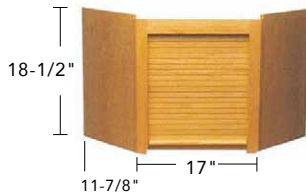
APPLIANCE GARAGE - For Corners
Omega National



Solid Wood Corner
Appliance Garage

AG-100CS

- Solid wood tambour door mounted to solid wood face frame
- End panels are veneer faced and backed on 3/8" MDF, using plain-sliced veneer
- Doweled joints
- Spring Tension Track System (ST-2)
- Smooth, non-binding operation
- Prefabricated for simple installation
- Easily Trimmable



Code	Wood	List/ea
AG-100CSR	Red Oak	\$ 176.75
AG-100CSM	Maple	152.83

TAMBOUR TRACK KITS

For Custom Appliance Garages



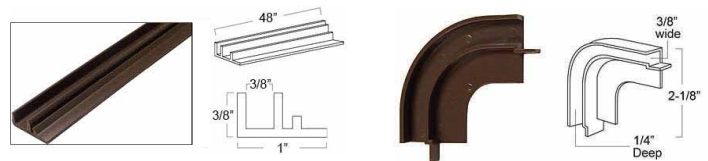
ST-2

- ST-2: Face Frame Mount
- ST-3: Euro Style Frameless Mount
- ST-4: Face Frame Mount for Larger Doors

System includes tension spring and wood dowel donut(s). Plastic guide rails on the ST-2 and ST-3. Solid maple rails on the ST-4. Controls tambour doors up to 36"W x 19"H on the ST-2 and ST-3. Controls doors up to 36"W x 24"H on the ST-4. Doors are easily controlled from the top to bottom, glides smoothly. Easy to install. Track: 1/4". Recommended Tambour: 3/16" thick.

Code	Width	Height	List/kit
ST2-16AL	16"	17-1/2"	\$ 18.79
ST2-24AL	24"	17-1/2"	23.13
ST2-36AL	36"	17-1/2"	24.13
ST3-30AL	30"	17-1/2"	23.28
ST3-36AL	36"	17-1/2"	24.85
ST4-24AL	24"	24"	62.13

MARCO PLASTIC TAMBOUR TRACK & CURVES



4T54 Track

4C55 Curve

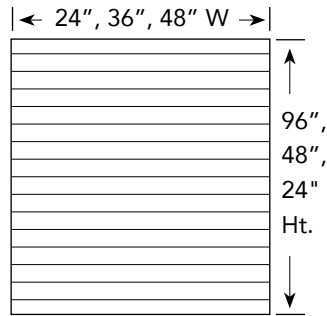
For 1/4" to 5/16" material. Fits all Marco tambour profiles. Brown in color.

Code	Description	Ctn	List/ea
4T54	Track 4' length	1 ea.	\$ 6.80
4C55	Corner for Track	1	3.76

TAMBOUR

CORNA

MARCO TAMBOUR WOOD



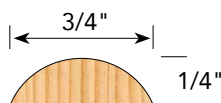
Solid Wood. 1/4" thick, 3/4" wide. Grain of slats run way of the width.

Flat with Radius Profile:



Code	Wood	Size	List/ea
AT36	Alder	36" W x 96" H	\$ 360.55
AT48	" "	48" W x 96" H	575.26
OT36	Oak	36" W x 96" H	415.93
OT48	" "	48" W x 96" H	535.00
OT4824	" "	24" W x 48" H	137.28
CT4836	Cherry	36" W x 48" H	345.34
CT4848	" "	48" W x 48" H	460.47
CT2448-FR	" "	48" W x 24" H	231.76
MT4848FR	Maple	48" W x 48" H	329.66
MT2448-FR	" "	48" W x 24" H	165.59

Half Round Profile:



Code	Wood	Size	List/ea
AT36HR	Alder	36" W x 96" H	\$ 360.55
AT48HR	" "	48" W x 96" H	499.07
OT48HR	Oak	48" W x 96" H	555.00
MT4848HR	Maple	48" W x 48" H	338.46

MARCO PLASTIC TAMBOUR TRACK & CURVES

For 1/4" to 5/16" material. Fits all Marco tambour profiles. Brown in color.

Code	Description	Ctn	List/ea
4T54	Track 4' length	1 ea.	\$ 6.80
4C55	Corner for Track	1	3.76

CORNER CABINET CATCHES

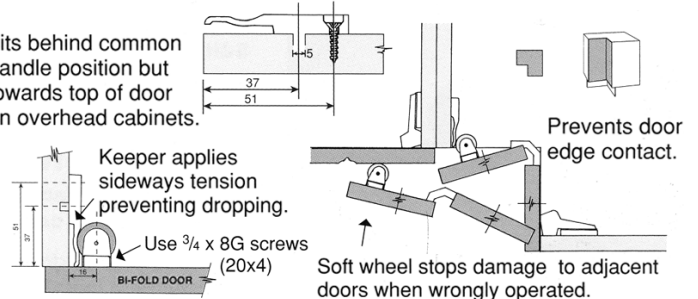


Catch - Side Mounting

Catch prevents sagging of corner doors and damage due to accidental misuse. Includes: catch, aligner and protector. Suits standard two door corner units. System 32 friendly.



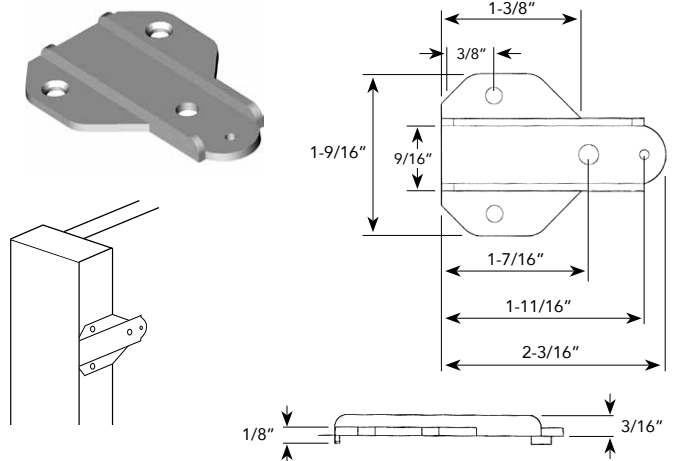
Fits behind common handle position but towards top of door on overhead cabinets.



Code	Description	Ctn	List/ea
CSM	Catch, Side	50 ea.	\$ 3.18

CORNA FACE FRAME ADAPTER PLATE

Face-frame adapter plate for easy mounting of Corna Catch on corner unit (lazy susan) doors. Seats the door, prevents damage to neighboring cabinetry and prevents sag of the corner unit doors.



Code	Description	Ctn	List/ea
FFP	Adapter Plate	10 ea.	\$ 3.18



LAZY SUSANS

REV-A-SHELF: FULL CIRCLE SHELF SETS

Polymer Lazy Susans



Uses same proven hardware as all-metal sets with reinforced polymer shelves that are as rigid as metal under load.

6012 Two-Shelf Set: Includes two shelves, hardware, and instructions. Telescoping post is 22-1/2" and will fit cabinets with inside dimensions of 24" to 31" high. Can be cut.

Code	Diameter	Color	List/set
6012-18-11-52	18"	White	\$ 64.03
6012-18-15-52	18"	Almond	64.03
6012-20-11-52	20"	White	70.72
6012-24-11-52	24"	White	78.52
6012-24-15-52	24"	Almond	78.18
6012-28-11-52	28"	White	94.25
6012-28-15-52	28"	Almond	94.25

*For 32" Dia. see 6072 Shelf sets on pg.

6013 Three-Shelf Set: Includes three shelves, hardware & instructions. Telescoping post will fit cabinets with inside dimensions of 38" to 46". Can be cut.

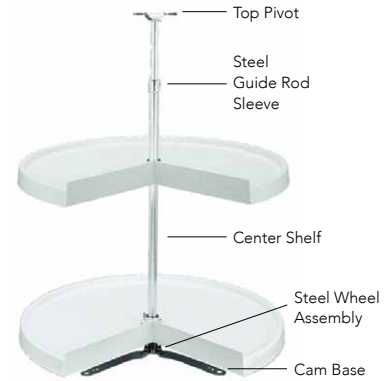
Code	Diameter	Color	List/set
6013-18-11-526	18"	White	\$ 95.43
6013-20-11-526	20"	White	106.63
6013-18-15-526	18"	Almond	95.44
6013-20-15-526	20"	Almond	106.13

Extra Center Post, 72"

6000-05-7200-2 List \$ 40.25 ea.

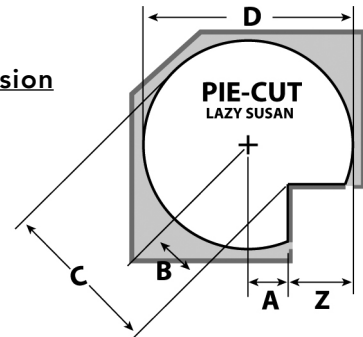
REV-A-SHELF: PIE CUT SHELF SETS

Polymer Lazy Susans



Reinforced polymer shelves are as rigid as metal under load. Includes: two shelves, hardware, and instructions. Telescoping post is 22-1/2" and will fit cabinets with inside dimensions of 26" to 32" high. (Cannot be cut). Can be door mounted.

Pie-Cut Cabinet Dimension



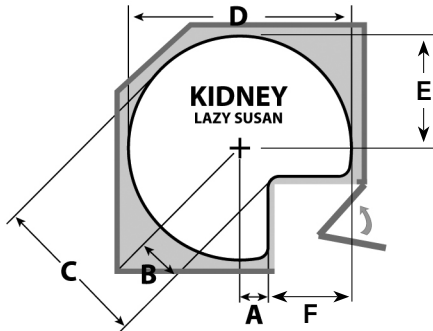
Shelf Dia.	A	B	C	D	Z	System
24"	1-3/8"	1-15/16"	13-15/16"	24"	10-9/16 + 1/8" gap	1" Dep
28"	3"	4-1/4"	18-1/4"	28"	11 + 1/8" gap	1" Dep

Code	Diameter	Color	List/set
6942-24-11-52	24"	White	\$ 88.80
6942-24-15-52	24"	Almond	88.80
6942-28-11-52	28"	White	102.39
6942-28-15-52	28"	Almond	109.11



LAZY SUSANS

REV-A-SHELF KIDNEY SPECIFICATIONS



Shelf Dia.	A	B	C	D	E	F
18"	1-3/4"	2-13/16"	11-13/16"	18"	9"	6-13/16"
24"	1-1/2"	2-5/16"	14-5/16"	24"	12"	10-1/6"
28"	3"	4-11/16"	18-5/8"	28"	14"	10-9/16"
32"	4-1/4"	6-7/16"	22-7/16"	32"	16"	11-3/8"

18" Diameter

Storage area: 1.38 Sq Ft.
Load Capacity: 19.2 lbs.
Cab Depth: 11-3/4"
Cab Opening: 6-13/16"

24" Diameter

Storage area: 2.51 Sq Ft.
Load Capacity: 37.6 lbs.
Cab Depth: 14-1/2"
Cab Opening: 10-1/16"

28" Diameter

Storage area: 3.2 Sq Ft.
Load Capacity: 48 lbs.
Cab Depth: 18"
Cab Opening: 10-9/16"

32" Diameter

Storage area: 4.2 Sq Ft.
Load Capacity: 63 lbs.
Cab Depth: 21-1/4"
Cab Opening: 11-3/8"

REV-A-SHELF: KIDNEY SINGLE SHELF SETS

One polymer shelf with positioner assembly, 5" shaft & screws.



6421 Single Shelf

Code	Diameter	Color	List/set
6421-32-11-52	32"	White	\$ 64.90

REV-A-SHELF: KIDNEY TWO SHELF SETS



Shelves rotate independently. Telescoping Chrome plated center shaft fits cabinets from 26" to 31". Can be cut for shorter cabinets. Polymer bushings are self-lubricating for smooth, quiet action. Positioner assembly supports each shelf and provides centering from 30° either side of original position. Set includes 2 shelves and all hardware.

Code	Diameter	Color	List/set
6472-18-11-52	18"	White	\$ 97.97
6472-18-15-52	18"	Almond	97.97
6472-24-11-52	24"	White	107.51
6472-24-15-52	24"	Almond	107.00
6472-28-11-52	28"	White	122.53
6472-28-15-52	28"	Almond	126.94
6472-32-11-52	32"	White	135.16
6472-32-15-52	32"	Almond	138.29

Bulk Pack: 5 sets/ctn. Full Cartons Only

Code	Diameter	Color	List/set
6472-28-11-4S	28"	White	\$ 115.51

REV-A-SHELF VALUE LINE KIDNEY SUSANS

- Twist-N-Lock Telescoping Shaft
- Molded Polymer Hubs/bearings (instead of metal)
- Independently rotating



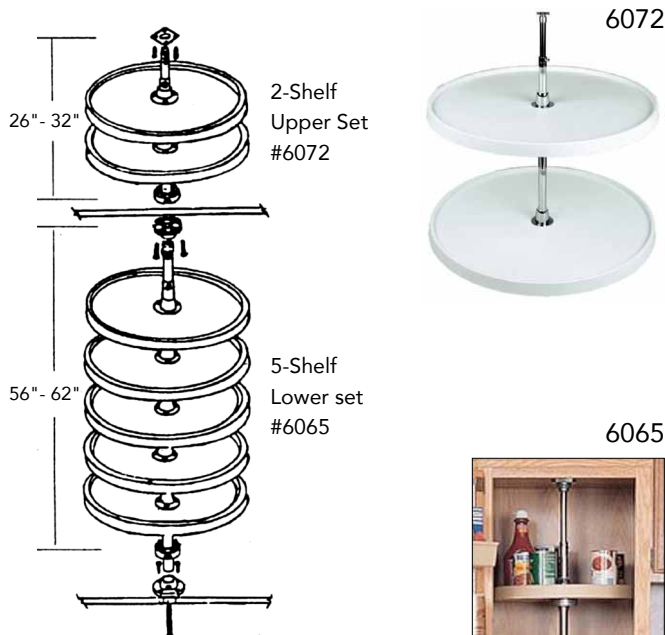
Code	Diameter	Color	List/set
3472-24-11-52	24"	White	\$ 66.50
3472-28-11-52	28"	White	79.88
3472-32-11-52	24"	White	85.70



PANTRY LAZY SUSANS

REV-A-SHELF FULL CIRCLE PANTRY SETS

Independently Rotating Shelves



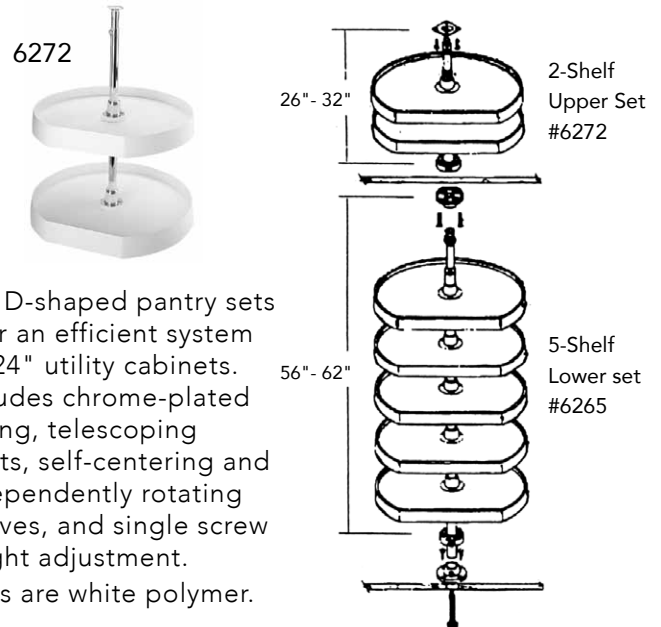
Full Circle Pantry Sets are packaged complete with hardware. Features chrome-plated tubing, telescoping shafts, self-centering and independently rotating shelves, and single screw height adjustment. Shelves are white or almond polymer.

2-Shelf Set	Description	List/st
6072-16-11-52	16" Dia, White	\$ 110.10
6072-20-11-52*	20" Dia, White	129.24
6072-24-11-52*	24" Dia, White	150.06
6072-32-11-52	32" Dia, White	169.62
6072-32-15-52	32" Dia, Almond	169.62

5-Shelf Unit	Description	List/st
6065-16-11-52	16" Dia, White	296.12
6065-18-11-52*	18" Dia, White	320.46

REV-A-SHELF "D" SHAPED PANTRY SETS

Independently Rotating Shelves



The D-shaped pantry sets offer an efficient system for 24" utility cabinets. Includes chrome-plated tubing, telescoping shafts, self-centering and independently rotating shelves, and single screw height adjustment. Trays are white polymer.

2-Shelf Set	Description	List/st
6272-20-11-52	20" Dia, White	\$ 126.07
6272-22-11-52	22" Dia, White	117.10
3-Shelf Set**		
6273-20-11-536	20" Dia, White	173.39
5-Shelf Set		
6265-22-11-52	22" Dia, White	298.35

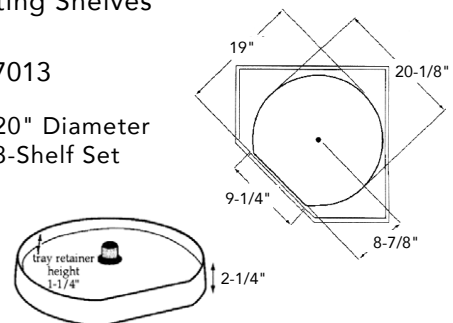
** Same dimensions and hardware as 6272 but with a third shelf and telescoping shaft accommodates 38" - 46".

REV-A-SHELF "D" SHAPED PANTRY SETS

Dependent Rotating Shelves



7013
20" Diameter
3-Shelf Set



Three-shelf set has dependent rotating shelves. For frame or frameless diagonal wall cabinets. Telescoping post adjusts 38" to 46". White finish.

Code	Description	List/st
7013-20-11-526	20" Dia, White	\$ 99.33



BANDED WOOD LAZY SUSANS

BANDED WOOD LAZY SUSANS

Banded Wood Lazy Susans have a laminated hardwood rim with a dowelled butt joint. Clear finish.

Chrome posts have an almond polymer hub. Rim is 5/16" higher than the wood classic (4WLS472) series.

Features:

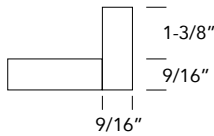
- 2" Banded Wood Rim
- Almond Polymer Hubs
- 5/8" Thick Maple Tray Bottom
- Chrome posts



Laminated Hardwood Rim



Doweled Butt Joint



KIDNEY SHAPE BANDED WOOD



LD-4BW-401

Single shelf has attached steel swivel bearing and stop on back of tray.



LD-4BW-472

2-Shelf sets are adjustable from 26 - 31" in height.

Code	Dia	Shelves in Set	List/ea
LD-4BW-401-28SBS-1	28"	1	\$ 83.97
LD-4BW-401-32SBS-1	32"	1	93.21
LD-4BW-472-24-1	24"	2	139.79
LD-4BW-472-28-1	28"	2	158.61
LD-4BW-472-32-1	32"	2	196.49

PIE-CUT BANDED WOOD

Adjustable from 26 - 32" in height.

LD-4BW-942



Code	Dia	Shelves in Set	List/ea
LD-4BW-942-28-1	28"	2	\$ 189.73

FULL ROUND BANDED WOOD

Single shelf has attached swivel bearing.



LD-4BW-001



LD-4BW-062



LD-4BW-063

2-Shelf sets are adjustable from 26 - 31" in height.
3-Shelf sets are adjustable from 38 - 46" in height.

Code	Dia	Shelves in Set	List/ea
LD-4BW-001-18SB-1	18"	1	\$ 55.53
LD-4BW-001-20SB-1	20"	1	54.49
LD-4BW-001-24SB-1	24"	1	69.49
LD-4BW-001-28SB-1	28"	1	76.66
LD-4BW-001-32SB-1	32"	1	91.85
LD-4BW-062-18-1	18"	2	121.62
LD-4BW-062-20-1	20"	2	124.72
LD-4BW-062-24-1	24"	2	139.79
LD-4BW-062-28-1	28"	2	158.61
LD-4BW-062-32-1	32"	2	187.25
LD-4BW-063-1836-1	18"	3	191.34
LD-4BW-063-2036-1	20"	3	185.16

D-SHAPE BANDED WOOD



LD-4BW-262



LD-4BW-263

2-Shelf sets are adjustable from 26 - 31" in height.
3-Shelf sets are adjustable from 38 - 46" in height.

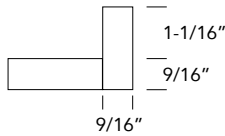
Code	Dia	Shelves in Set	List/ea
LD-4BW-262-20-1	20"	2	\$ 124.72
LD-4BW-262-32-1	32"	2	198.65
LD-4BW-263-2036-1	20"	3	185.14

WOOD LAZY SUSANS



REV-A-SHELF WOOD CLASSIC LAZY SUSANS

- The beauty of Maple without the worry of warping and splitting
- 1-5/8" Solid wood rim with plywood tray. Clear, durable UV cured finish
- Shelves Rotate Independently
- Sets contains 2 shelves, post and metal pivot hardware
- Telescoping chrome post accomodates 26" - 32" Inside Cabinet Height



REV-A-SHELF®
Wood Classics

Featuring Chrome Hub and Hardware, metal bearings

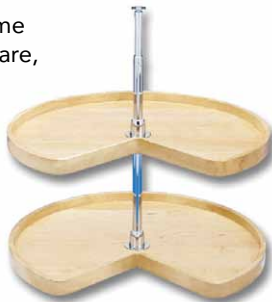


FULL CIRCLE WOOD CLASSIC 2 SHELF SET
4WLS072

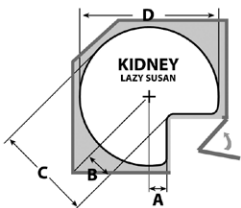
Code	Diameter	List/set
4WLS072-18-52	18"	\$ 175.78
4WLS072-20-52	20"	195.06
4WLS072-28-52	28"	258.80
4WLS072-32-52	32"	289.92

REV-A-SHELF®
Wood Classics

Featuring Chrome Hub and Hardware, metal bearings



KIDNEY SHAPE WOOD CLASSIC 2 SHELF SET
4WLS472



Shelf Dia.	A	B	C	D
24"	1-7/16"	2-3/8"	14-3/8"	23-15/16"
28"	2-7/8"	4-3/8"	18-1/4"	27-3/4"
32"	4-1/16"	6"	21-15/16"	31-3/4"

Code	Diameter	List/set
4WLS472-24-52	24"	\$ 228.63
4WLS472-28-52	28"	249.43
4WLS472-32-52	32"	289.92

REV-A-SHELF®
Wood Classics

FULL CIRCLE WOOD CLASSIC 3 SHELF SET
4WLS073

Includes three shelves, hardware & instructions. Telescoping post will fit cabinets with inside dimensions of 38" to 46". Can be cut. Shelves rotate independently.

4WLS073



Code	Diameter	List/set
4WLS073-18-536	18"	\$ 241.38
4WLS073-20-536	20"	244.56

REV-A-SHELF®
Wood Classics

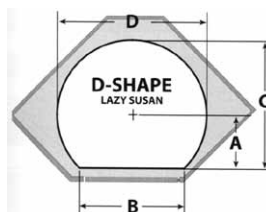
D-SHAPE WOOD CLASSIC 3 SHELF SET
4WLS273



4WLS273



Includes three shelves, hardware & instructions. Telescoping post will fit cabinets with inside dimensions of 38" to 46". Shelves rotate independently.



Shelf Dia.	A	B	C	D
20"	8-3/8"	10-5/8"	18-3/8"	20"

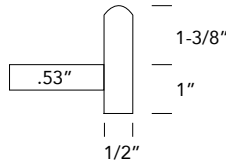
Code	Diameter	List/set
4WLS273-20-536	20"	\$ 252.27



WOOD LAZY SUSANS

NATURAL WOOD LAZY SUSANS

- 2-3/8" Steam Bent Hardwood Rim
- 9/16" Thick Maple-Ply Tray Bottom
- Chrome Hardware
- Doweled (2) Butt Joint
- Aluminum Bearings



Rim: 2-3/8"

KIDNEY SHAPE LAZY SUSAN

Natural Wood



LD-4NW-401

Bottom view:
Single shelf has attached aluminum swivel bearing and stop on back of tray.



LD4NW472

Code	Description	List
LD4NW472-28-1	2 Shelf, 28" Dia.	\$ 302.53
LD4NW472-32-1	2 Shelf, 32" Dia.	338.64

Single Shelf with Tall Rim (3-1/4" Overall)

LD-4NW-401-32TBS-1	Single Shelf, Tall Rim, 32" Dia.	193.95
--------------------	----------------------------------	--------

FULL CIRCLE WOOD CLASSIC SINGLE SHELF

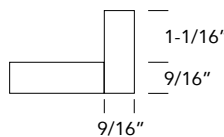
With Swivel Bearing Attached



4WLS001
Single Maple Tray with Swivel Bearing



Rim: 1-5/8"



Code	Description	List
4WLS001-18-B52	Single Shelf, 18" Dia.	\$ 75.39
4WLS001-32-B52	Single Shelf, 32" Dia.	124.60

KIDNEY SHAPE WOOD CLASSIC SINGLE SHELF

With Swivel Bearing and Stop Installed

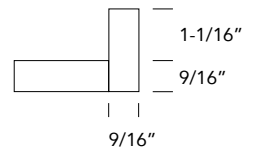


4WLS401
Single Maple Kidney Tray



Installed Swivel Bearing and stop on back of tray

Rim: 1-5/8"



The thick high-density multi-ply tray with 1-5/8" high solid wood rim has a UV-cured clear coat finish. Fast mounting to flat surfaces.

Code	Description	List
4WLS401-28-BS52	Single Shelf, 28" Dia.	\$ 124.60
4WLS401-32-BS52	Single Shelf, 32" Dia.	133.51

CENTER SHAFT EXTENSION Rev-A-Shelf

1" diameter, 70-1/2" long center shaft extension can be cut to size. For use with Rev-A-Shelf pantry or kidney independently rotating hardware sets when a longer shaft is needed. Must be used with bushings supplied by factory.

Code	List
6370-96-7008-26	\$ 55.83



INDEPENDENTLY ROTATING CENTERING HARDWARE

2 Shelf Hardware Set

Dimensions:
26"- 32", 1" dia. shaft

Code	Description	List
6272-04-52	2 Shelf Hdwr St	\$ 98.70





LAZY SUSANS

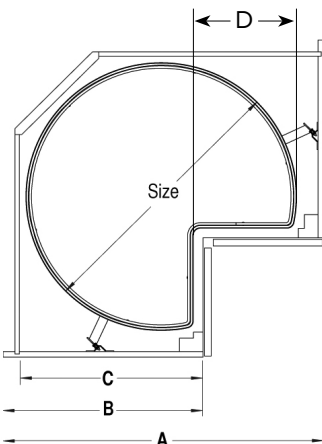
RECORNER MAXX : FLOATING SUSAN
Kidney Lazy Susan



Floating Susan: Concealed Supports & No Space Limiting Center Post!

A new corner cabinet solution: Optimal use of storage with no space limiting center post. Trays are mounted on a horizontal support arm - hardware is virtually invisible.

- Tool-less height adjustment of the trays
- Can be used in base, pantry and wall cabinets
- Can be retrofitted into existing cabinets
- Load capacity: 62 lbs. per shelf
- Inside height min: 24-3/8"
- Maple shelf, Silver rail



Cabinet Dimensions

- A = 35-1/2"
- B = 21-1/4" to 24"
- C = 19-1/4" min depth
- D = 11-3/8"

Set Contains: 2 shelves, 2 support arms, 2 wall brackets and instructions.

Code	Description	List/st
90004098	30" Kidney	\$ 544.42

Shelf Mount Lazy Susan:

Single Tray and Lazy Susan Bearings installed on cabinet shelf.



No Space Limiting Center Post

See previous pages for shelf mount trays and bearings.

TRIANGLE LAZY SUSAN BEARINGS



3C, 4C, 6C

12C

Bearings attach easily to second surface even though hidden by first surface. Only 5/16" thick. Can be recessed to reduce clearance to 1/8". Large ball-bearing race for maximum stability has full load of precision ground ball-bearings. Unit is pre-assembled.

Code	Dia.	Max Load	Shelf Dia.	Ctn	List/ea
3C	3"	200 lbs.	18"	100	\$ 1.72
4C	4"	300	25"	75	3.78
6C	6"	500	30"	100	4.15
12C	12"	1000	40"	25	9.38



CHROME WIRE KIDNEY LAZY SUSAN

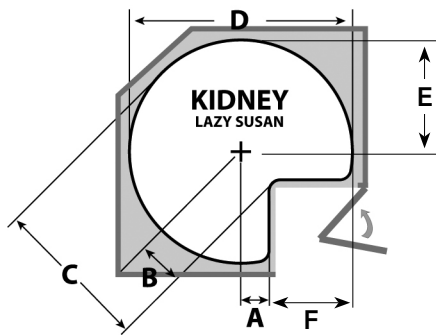
5472 Series



5472



Heavy gauge chrome. Independently rotating shelves. Telescoping shaft (9-1/4" upper, 22-1/2" lower) to accommodate 26" - 32" Inside Cabinet Height. Features durable 1" chrome shaft and hubs. Rim Height: 2.42".



Shelf Dia.	A	B	C	D	E	F
28"	2-7/8"	4-3/16"	18-1/4"	28-1/8"	14"	10-5/8"
32"	2-7/8"	4-3/16"	20-1/4"	32-1/8"	16"	11-1/2"

28" Diameter

Storage area: 3.2 Sq Ft.
Cab Depth: 18-1/16"
Cab Opening: 10-5/8"

32" Diameter

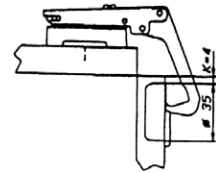
Storage area: 4.2 Sq Ft.
Cab Depth: 21-3/16"
Cab Opening: 11-1/2"

Code	Description	List/ea
5472-28CR	Chrome Kidney Shape, 28" Dia.	\$ 296.62
5472-32CR	Chrome Kidney Shape, 32" Dia.	326.84

LAZY SUSAN HARDWARE

SALICE PIE CUT HINGE

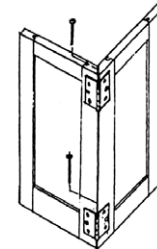
Self-Closing



Patented adjustment features: Save time with this special hinge. Opening angle of the first door: 70°. Allows standard drilling of door for pie-cut cabinet. Uses 3mm Salice plate on a 3/4" door.

Code	Description	Ctn	List/ea
C2RYA99	Dowelled	150 ea.	\$ 6.71
C2PYA99	Screw-On	150	6.50

MITERED PIE-CUT DOOR HINGE



Pie-cut/
Kidney

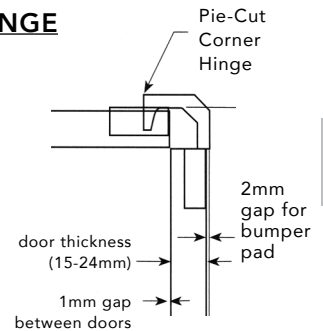
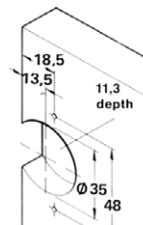
For overlay corner doors with miters. Plated steel butt hinges with loose pins. Much quicker than piano hinges, no cutting. With 3/4" long screws.

Code	Finish	List/pr
H0257751031	Satin Brass	\$ 7.94

GRASS PIE-CUT CORNER HINGE



13128



With two identical recess bosses: ø35mm, 11.3mm depth. Screw-mounted. Max. door opening angle: 78°. For door variable thickness from 15-24mm. Zinc alloy, nickel plated. Polybagged: 2 hinges, 1 magnetic catch, 1 strike, and instructions.

Code	Finish	Ctn	List/bg
13128	Nickel Plate	50 bgs.	\$ 39.71

LAZY SUSAN BEARINGS

TRIANGLE LAZY SUSAN BEARINGS

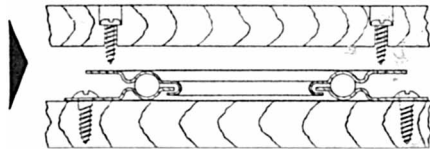


3C, 4C, 6C

12C

Bearings attach easily to second surface even though hidden by first surface. Only 5/16" thick. Can be recessed to reduce clearance to 1/8". Large ball-bearing race for maximum stability has full load of precision ground ball-bearings. Unit is pre-assembled.

How to install and mount



Code	Dia.	Max Load	Shelf Dia.	Ctn	List/ea
3C	3"	200 lbs.	18"	100	\$ 1.72
4C	4"	300	25"	75	3.78
6C	6"	500	30"	100	4.15
12C	12"	1000	40"	25	9.38

ALUMINUM TV SWIVEL/LAZY SUSAN WITH BALL-BEARINGS

Diameter: 17-1/2" and 23-1/4"

- 54450 18"
- 54600 24"

- With Ball Bearings
- With Bumpers



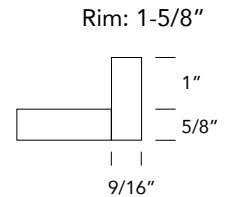
Code	Dia.	Ht.	Load Cap	List/ea
54450	17-1/2"	9/16"	275 lbs.	\$ 124.26
54600	23-1/4"	5/8"	660	309.17

BLIND CORNER STORAGE

REV-A-SHELF® Wood Classics
REV-A-SHELF WOOD HALF MOON GLIDE-OUT
4WLS882



Two Shelf Glide-Out System

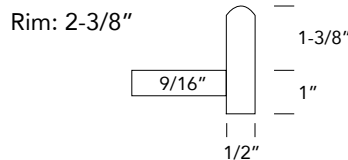


Made of 5/8" thick high-density multi-ply tray and 1-5/8" high solid wood rim that is protected by a UV clear-coat finish. Features pivot and pull slides that can be RH or LH. Contains: 2 Shelves, slides, Euro and standard brackets, assembly hardware and instructions.

Code	Size	Min opening	List
4WLS882-32-570	32"	12"	\$ 306.27
4WLS882-35-570	35"	15"	351.85
4WLS882-38-570	38"	18"	404.12

REV-A-SHELF NATURAL WOOD HALF MOON GLIDE-OUT

LD4NW882



Two Shelf Glide-Out System

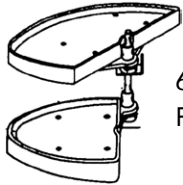
- Steam Bent Hardwood - 2-3/8" Rim
- Non-handed: LH or RH
- UV cured clear coat finish
- Smooth pivot & extension
- Two Shelf Glide-Out

Code	Size	Min opening	List
LD4NW882-32-1	32"	12"	\$ 339.25
LD4NW882-35-1	35"	15"	386.40
LD4NW882-38-1	38"	18"	443.19



REV-A-SHELF HALF MOON PIVOT SHELF SETS

Polymer 2-Shelf Sets



6842
Pivot Only



Half Moon polymer pivot shelves. Two shelves per set. All hardware and installation instructions are included. Overall Height: 17".

Code	Min opening	Color	List/st
6842-31-11-570	13-1/4"	White	\$ 150.48
6842-33-11-570	16-1/8"	White	161.49
6842-39-11-570	19-1/4"	White	178.25

REV-A-SHELF HALF MOON GLIDE-OUT PIVOT SHELVES

Polymer 2-Shelf Sets



6882
Pivot and Slide Set

Half moon glide-out polymer pivot shelves. Shelves individually slide out as well as pivot. Two shelves per set. Each set contains all hardware, slides, and installation instructions. Overall Height: 17".

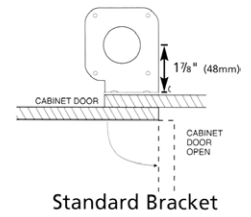
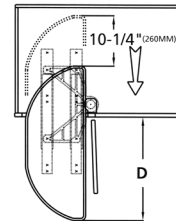
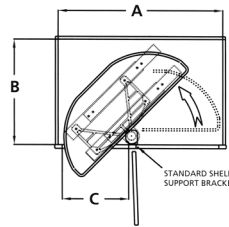
Code	Min opening	Color	List/st
6882-31-11-570	13-1/4"	White	\$ 194.80
6882-31-15-570	13-1/4"	Almond	225.25
6882-33-11-570	16-1/8"	White	204.02
6882-33-15-570	16-1/8"	Almond	225.52
6882-39-11-570	19-1/4"	White	222.29
6882-39-15-570	19-1/4"	Almond	245.83

BLIND CORNER STORAGE

Specifications for Rev-A-Shelf Half Moon Trays

Framed Cabinet

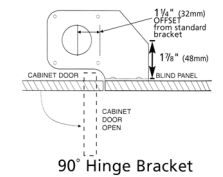
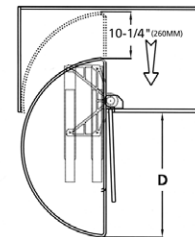
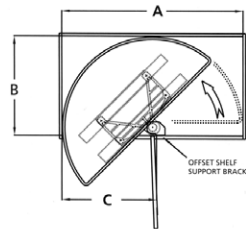
Dimensions (A, B & C) are minimums. 31" tray shown in diagram. Larger trays do not have "flat" in circular arc.



Tray Size	A	B	C	D
31"	33-11/16"	21-1/2"	13-1/4"	21-1/16"
33"	34-5/16"	18-9/16"	16-1/8"	24-1/16"
39"	40-11/16"	21-13/16"	19-1/4"	27-3/8"

Frameless Cabinet (Euro)

Dimensions (A, B & C) are minimums. 39" tray shown in diagram.



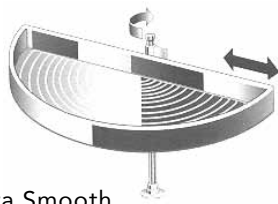
Tray Size	A	B	C	D
31"	32-13/16"	21-1/2"	15"	21-1/16"
33"	33-3/16"	18-9/16"	17-7/16"	24-1/16"
39"	39-7/8"	21-13/16"	20-3/4"	27-3/8"

BLIND CORNER STORAGE

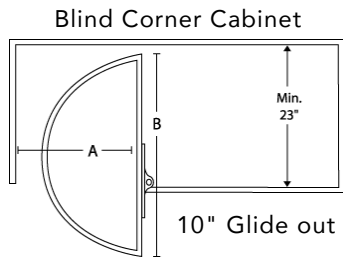
KV

KV / FEENY HALF-MOON POLYMER GLIDE-OUTS

White Polymer 2-Shelf Sets



Ultra Smooth
Glide Action!



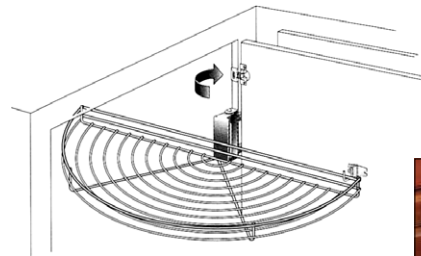
	min. opening	
<u>Code</u>	<u>A</u>	<u>B</u>
PHM28GG	14"	27-7/8"
PHM34GG	17"	33-7/8"
PHM40GG	20"	39-7/8"

Gliding shelves extend 10" on precision ball-bearing slides, operates both RH or LH applications. For use in base blind corner cabinets.

White shelves feature textured surface with extra-deep 1-1/2" rim height. Exceeds ANSI/BHMA Grade 1 performance requirements. Shelves glide independently on zinc-plated 1" diameter post. Packed individually as two shelf sets with installation hardware and template. Bottom/Frame mounting.

<u>Code</u>	<u>Post Height</u>	<u>Shelf Radius</u>	<u>Shelf Length</u>	<u>List/st</u>
PHM28GG-W	17"	14"	27-7/8"	\$ 222.98
PHM34GG-W	17"	17"	33-7/8"	233.39
PHM40GG-W	17"	20"	39-7/8"	271.93

KV / FEENY HALF MOON WIRE BASKETS

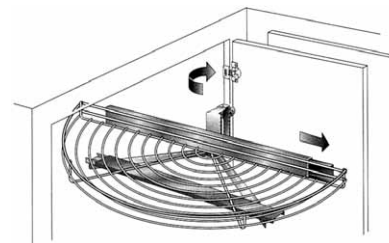


Half Moon wire baskets with a 1-1/2" shelf fence. Heavy duty reversible hinge system for RH and LH applications.

<u>Code</u>	<u>Min opening</u>	<u>Finish</u>	<u>List/ea</u>
HM-25WH	12-3/4"	White	\$ 67.15
HM-28WH	14-1/4"	White	58.18
HM-34WH	17-1/4"	White	63.24

KV/FEENY HALF MOON GLIDE-OUT WIRE BASKETS

For Blind Corners



Slide mounted shelf pivots out of blind corner cabinets and extends 13". Shelf fence is 1-1/2" high.

<u>Code</u>	<u>Min opening</u>	<u>Finish</u>	<u>List/ea</u>
HM-25GWH	12-3/4"	White	\$ 120.08
HM-25GC	12-3/4"	Chrome	136.81
HM-28GWH	14-1/2"	White	118.75
HM-28GC	14-1/2"	Chrome	139.64
HM-34GWH	17-1/2"	White	121.58
HM-34GC	17-1/2"	Chrome	141.90



BLIND CORNER STORAGE

SLIDE CORNER

For Blind Corners. Made in Germany.

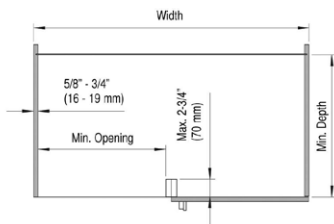


The movement of the Slide Corner enables easy access within a limited space so that adjacent kitchen appliances, like dishwashers, can be operated at the same time.

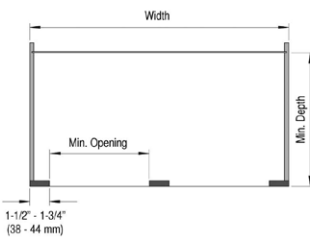
- The trays turn and slide independently out of the cabinet
- The upper shelf can be placed at height 12-1/2" to 16-1/2"

- Inside height min 19-3/4"
- Load cap per shelf: 33 lbs.
- Specify left or right hand use
- Three sizes available
- Maple Tray, Silver powder coated rail

Frameless

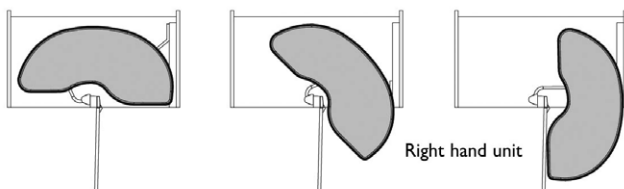


Faceframe



Slide Corner	1	2	3
Width	36"	42"	48"
Min. Depth	19-1/4"	21-5/8"	21-5/8"
Min. Opening	16-1/2"	19-1/2"	22-1/2"

Slide Corner	1	2	3
Width	39"	42"	45"
Min. Depth	19-7/8"	22-3/8"	22-3/8"
Min. Opening	15"	18"	21"



Pack: 1 set per box consisting of 2 shelves, silver powder coated railing, all parts and mounting instructions.

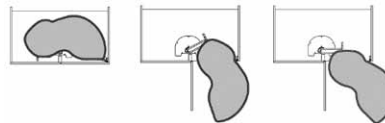
Left Hand	Right Hand	Size	List/st
90003283	90003284	1	\$ 561.00
90002991	90002992	2	571.14
90003281	90003282	3	639.61

CORNER SYSTEM : TWIN CORNER

Made in Germany



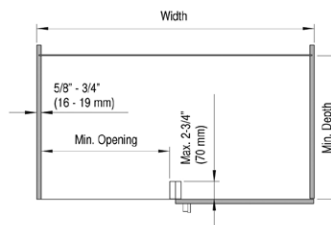
Right Hand unit is pictured



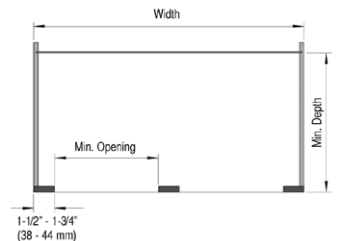
See video at MacMurrayPacific.com

- One smooth motion puts all items to be retrieved right at your fingertips
- Both shelves turn and swing simultaneously out of the cabinet
- Easy, rapid install: 2 brackets, 2 shelves. That's it.
- Stylish silver powder coated wire, maple bottom
- For Frameless or Face Frame Cabinets
- Load Cap: 90 lbs. (45 lbs per shelf)
- Minimum installation depth: 19-3/8"
- Minimum installation height: 19-11/16"

Frameless



Faceframe



Twin Corner	1	2	3
Width	36"	39"	48"
Min. Depth	19-5/8"	19-5/8"	20"
Min. Opening	16-1/4"	18-1/2"	22"

Twin Corner	1	2	3
Width	36"	39"	48"
Min. Depth	19-1/8"	19-1/8"	19-1/4"
Min. Opening	15-3/4"	17-1/4"	21-1/2"

Pack: 1 set per box consisting of 2 shelves, silver powder coated railing, all parts and mounting instructions.

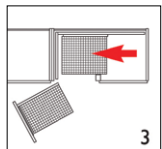
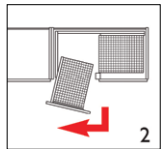
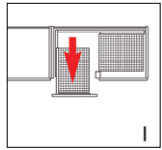
Left Hand	Right Hand	Size	List/st
90002409	90002410	1	\$ 559.45
90002411	90002412	2	567.80
90002517	90002518	3	609.55



BLIND CORNER STORAGE

BLIND CORNER SOFT-CLOSE PULL OUT

Made In Germany



Wari corner®



Left Hand Installation shown.

Front baskets swing sideways for free access to rear baskets. Silent/Smooth soft-close action.

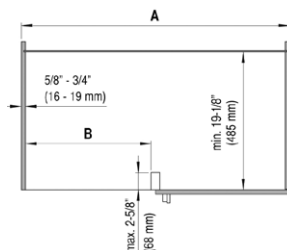


See video at MacMurrayPacific.com

- Smooth soft close system
- Easy assembly of door fronts with central height adj.
- Independent width door mount bracket
- Height adjustable top baskets
- Tool-less door attachment
- Min installation depth: 19-1/8"
- Min installation height: 21-3/8"
- Load cap: Door basket - 17 lbs, Cabinet basket - 20 lbs.
- Saphir Chrome Finish

Code	Cab Width A	Door Opening B
90004164	31-1/2"	14-1/2" - 16-1/2"
90004165	31-1/2"	14-1/2" - 16-1/2"
90003890	35-1/2"	16-1/8" - 22-3/8"
90003891	35-1/2"	16-1/8" - 22-3/8"

Cabinet Dimensions



Packing: 1 set/box, Includes all parts, 4 baskets and instructions

Code	Hand	Door Width	List/st
90004164	RH	15-3/4" - 17-3/4"	\$ 676.35
90004165	LH	15-3/4" - 17-3/4"	676.35
90003890	RH	17-3/4" - 23-1/2"	709.75
90003891	LH	17-3/4" - 23-1/2"	709.75

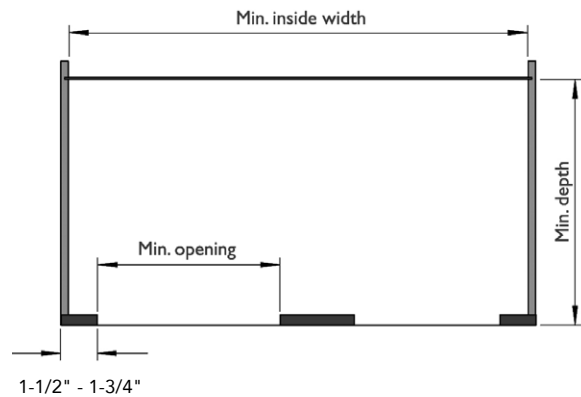
CORNER SYSTEM : FLEX CORNER UNIT

Made in Germany

- Bottom mount installation
- Non-handed
- Face frame or Euro style installation
- Load cap: 21 lb. per basket
- Saphir Chrome baskets



Flex Corner Unit



Size	Min. Inside Width	Min. Opening	Min. Depth
1	27-1/4"	15"	20"
2	31-5/8"	17-1/2"	20"
3	34-1/2"	20-1/2"	20"

Order 1 frame and 1 basket set. Basket set consists of 2 front baskets and 2 rear baskets.

Frame	Description	List
90006112	Min. opening 15" (size 1)	\$ 295
90006113	Min. opening 17-1/2" (size 2) or Min. opening 20-1/2" (size 3)	295

Saphir Chrome Basket sets

90006117	Front: 11" W x 16-1/3" D Rear: 11" W x 19-2/3" D	181
90006255	Front: 13-3/4" W x 16-1/3" D Rear: 12-3/4" W x 19-2/3" D	195
90006256	Front: 13-3/4" W x 16-3/8" D Rear: 15-3/4" W x 19-2/3" D	211

BLIND CORNER STORAGE

BLIND CORNER ORGANIZER

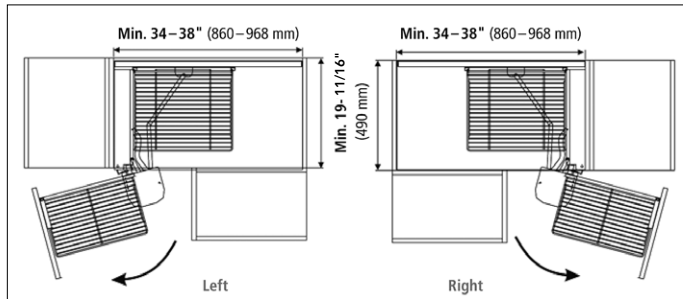
Set Includes all Hardware & Baskets



SOFT CLOSE
for quiet operation

- Installs easily in either left or right hand cabinets
- Two door mounted baskets pull completely out of the cabinet and swing away from the opening. This allows complete access to the rear baskets which automatically slide into an accessible position
- All baskets have a non-skid solid bottom
- Basket finish is satin stainless steel epoxy
- Frame finish: Silver gray epoxy
- Minimum door opening: 14" (356mm)

Dimensions



Low cost version of the popular blind corner storage unit. Baskets a little larger but space requirements are the same.

2 each Cabinet Baskets: 3-1/2" H x 14-7/8" W x 17-7/8" D
2 each Door Baskets: 3-1/2" H x 10-3/8" W x 17-1/8" D

Height: 21-1/4" Width: 33-7/8" - 38-1/8"
Min Depth: 19-11/16" Cab Width: 35-7/16" - 39-3/8"
Min Door Opening: 14" (356mm)

Code	Description	List/ea
JASMH111-A	Blind Corner Organizer w/ Soft Close	\$ 619.59

BLIND CORNER OPTIMIZER

5PSP CR Series - Chrome



The Universal 5PSP Series maximizes space in blind corner cabinets while allowing the user full accessibility to the entire unit. The two large and two small baskets are vertically adjustable, unit is easy to assemble, and installs for either left or right-handed applications. Available in 2 sizes and now in Soft-Close.



Unit fully closed



Unit partially open, first set of baskets pulled out



Unit partially open, first set of baskets slide over to allow access for second set



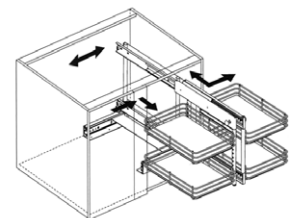
Unit fully extended

Basket Dimensions:

(15CR) 11-3/4"W x 16-1/2"D x 3-1/2"H
(18CR) 14-3/4"W x 16-1/2"D x 3-1/2"H

Non-handed!

15" Min Cab Width Opening (15-CR)
18" Min Cab Width Opening (18-CR)
Both Models:
20-1/4" Min Inside Cabinet Depth
21" Min Cabinet Height Opening



The 5PSP CR front baskets pull out, then slide over to allow the rear baskets to be pulled out for total access to the items stored within. Ball-bearing, full-extension slides, Load Cap: 100 lbs. Includes 4 ea. chrome baskets.

Code	Dimensions	List/ea
5PSP15-CR	26-1/4"W x 20-1/4"D x 21" H	\$ 445.85
5PSP18-CR	32-1/4"W x 20-1/4"D x 21" H	535.14

Soft Close version

5PSP15SC-CR	26-1/4"W x 20-1/4"D x 21" H	459.00
5PSP18SC-CR	32-1/4"W x 20-1/4"D x 21" H	566.16

PANTRY STORAGE

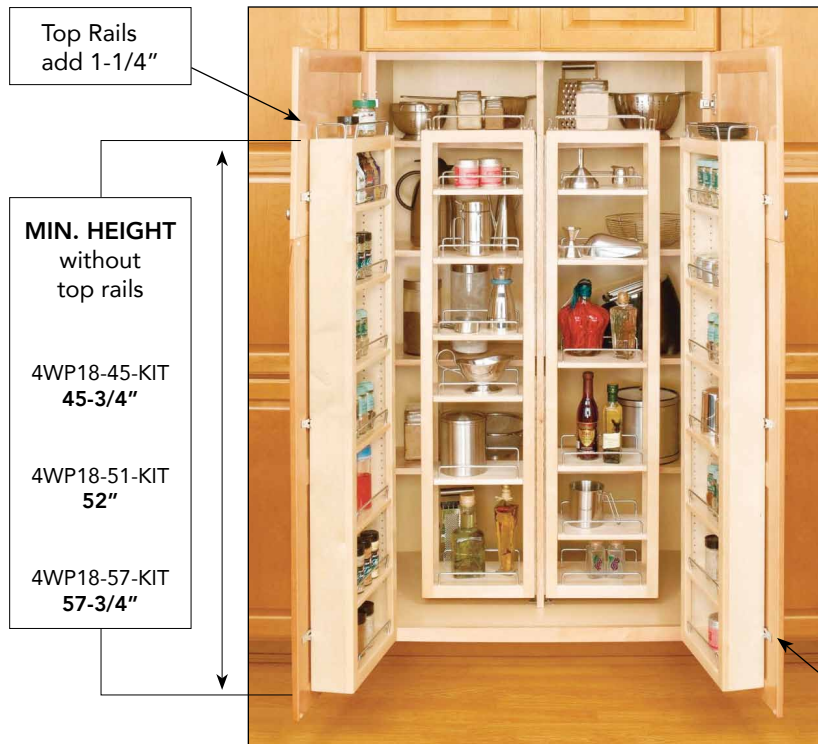
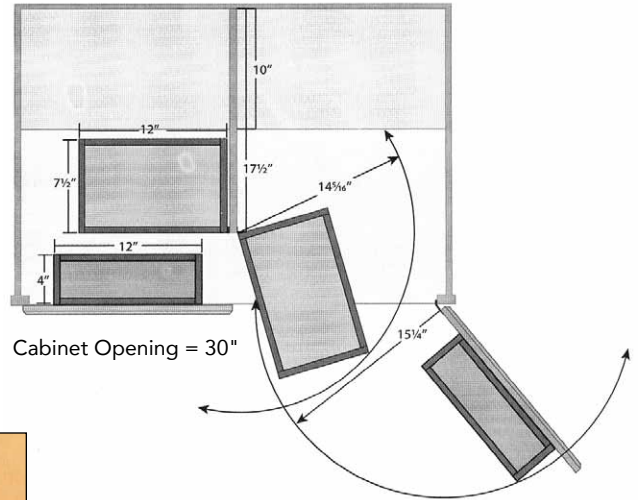


WOOD SWING OUT PANTRY

For both Base and Tall Pantry cabinets: 25", 45", 51", 57" High

The 4WP Series Swing-Out Wood Pantry System fits both Base and Tall Pantry cabinets. It features industrial piano hinge and adjustable inside shelves with chrome rails. Also, you can add or remove chrome bars to the top of the units.

Solid 1/2" maple has a UV-cured, clear finish. Complete kit includes two swing-out units and two door storage units with adjustable mounting brackets.



Top Rails add 1-1/4"

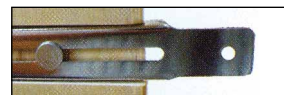
MIN. HEIGHT
without top rails

4WP18-45-KIT
45-3/4"

4WP18-51-KIT
52"

4WP18-57-KIT
57-3/4"

MIN. HEIGHT
4WBP18-25-KIT
25-3/4"



Door Mount Brackets allow up to 5" of adjustment!

Cabinet Opening as Shown = 30"

Code	Description	Dimensions	List
4WBSP18-25*	25" Swing Out Pantry (w/hdwr) Single	12" W x 7-1/2" D x 25" H	\$ 100.44
4WBDP18-25	25" Pantry Door Unit (w/hdwr) Single	12" W x 4" D x 25" H	95.25
4WBP18-25-KIT*	25" Swing Out Pantry Kit - Includes (2) 4WBSP18-25 and (2) 4WBDP18-25		363.62
4WSP18-45*	45" Swing Out Pantry (w/hdwr) Single	12" W x 7-1/2" D x 45" H	171.66
4WDP18-45	45" Pantry Door Unit (w/hdwr) Single	12" W x 4" D x 45" H	133.63
4WP18-45-KIT	45" Swing Out Pantry Kit - Includes (2) 4WDP18-45 and (2) 4WSP18-45		601.40
4WSP18-51*	51" Swing Out Pantry (w/hdwr) Single	12" W x 7-1/2" D x 51-1/4" H	182.18
4WDP18-51*	51" Pantry Door Unit (w/hdwr) Single	12" W x 4" D x 51-1/4" H	141.93
4WP18-51-KIT	51" Swing Out Pantry Kit - Includes (2) 4WSP18-51 and (2) 4WDP18-51		638.44
4WSP18-57∞	57" Swing Out Pantry (w/hdwr) Single	12" W x 7-1/2" D x 57" H	188.74
4WDP18-57∞	57" Pantry Door Unit (w/hdwr) Single	12" W x 4" D x 57" H	143.17
4WP18-57-KIT∞	57" Swing Out Pantry Kit - Includes (2) 4WDP18-57 and (2) 4WSP18-57		643.02

∞ Top Rail NOT included with these models * Special Order when out



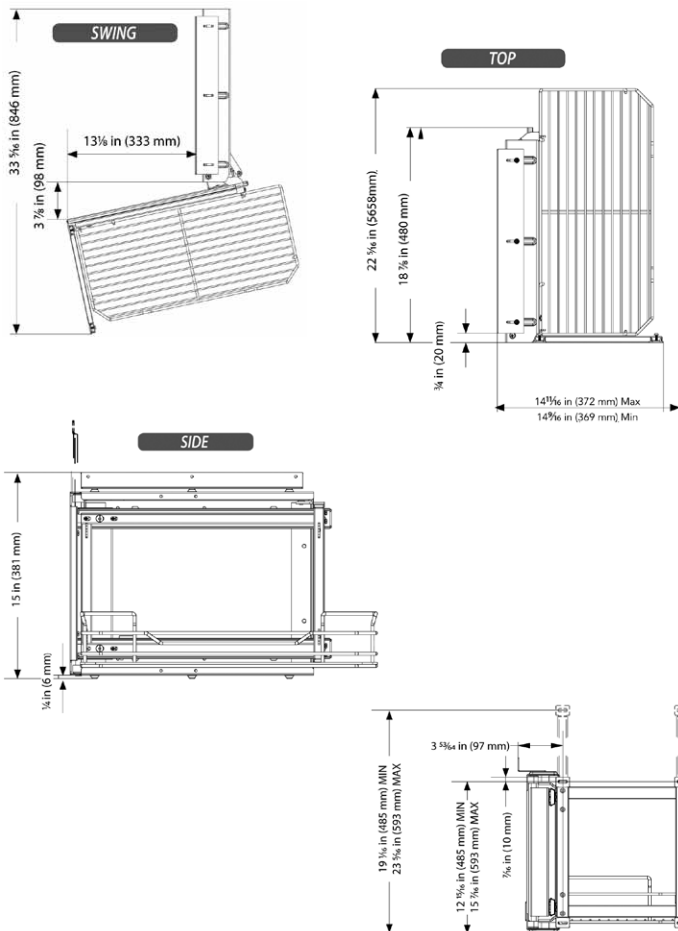
PANTRY STORAGE

ABOVE APPLIANCE PULL-OUT
5708 Series, Non-handed

5708-15CR



- Fits 24" deep wall cabinetry
- Minimum cabinet opening width: 15", 15-1/2" min. opening height required for frameless cabinetry
- Reversible design: attached to either side of cabinet
- Adjustable door mount brackets for perfect fit

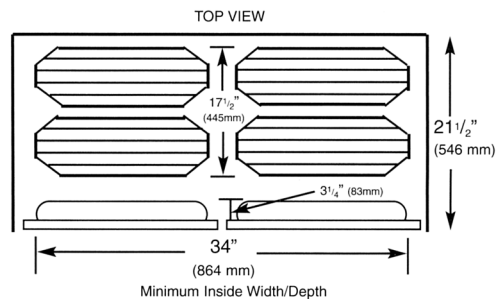


Code	Dimensions	List/ea
5708-15CR	13" W x 19" D x 15" H	\$ 371.54

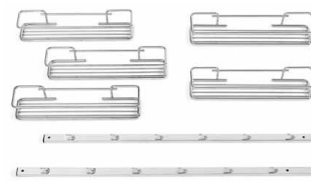
CHROME CHEF ROLL-OUT PANTRY WITH DOOR STORAGE



Contains: Roll-out Pantry Pivot sliding hardware with 20 interior chrome baskets, 2 sets of door storage standards and 10 door mount baskets with fasteners and installation assembly instructions.



Door Storage Baskets



Height: 2-3/8"
Width: 2-3/4"
Depth: 12-3/8"

Door Mount Brackets - 44-1/8"

Pantry Baskets



Height: 3"
Width: 14-15/16"
Depth: 7-7/8"

Code	Dimensions	List
5222-21CR	34" Width x 21-1/2" Depth x 49-1/4" - 52-1/4" Height	\$ 3484.13



PANTRY STORAGE



448TP PULL-OUT WOOD PANTRY

Rev-A-Shelf



- Pre-finished Maple
- Adjustable shelves
- Soft-Close, 450 lb. slide
- Includes slide and all mounting hardware: Ready to assemble
- Door mount brackets with micro-adjustment for door alignment and tilt
- Rub bushing included for 1-1/2", 1-5/8", 1-3/4" face frames
- Fully accessible top shelf
- Available in 4 widths and 3 heights

Rear wall can be adjusted to accommodate a large range of cabinet heights.



View from rear of cabinet

Product Dimensions

Cabinet Dimensions

Code	Width	Depth	Height Min	Height Max	Width	Height	List
448TP43-5	5"	22"	43-3/8"	50-3/8"	5-1/2" to 6"	43-1/2" to 51"	\$ 498.48
448TP51-5	5"	22"	50-7/8"	57-7/8"	5-1/2" to 6"	51" to 58-1/2"	526.48
448TP58-5	5"	22"	58-3/8"	65-3/8"	5-1/2" to 6"	58-1/2" to 66"	550.50
448TP43-8	8"	22"	43-1/4"	50-1/4"	8-1/2" to 9"	43-1/2" to 51"	526.36
448TP51-8	8"	22"	50-3/4"	57-3/4"	8-1/2" to 9"	51" to 58-1/2"	564.01
448TP58-8	8"	22"	58-1/4"	65-1/4"	8-1/2" to 9"	58-1/2" to 66"	602.27
448TP43-11	11"	22"	43-1/4"	50-1/4"	11-1/2" to 12"	43-1/2" to 51"	580.72
448TP51-11	11"	22"	50-3/4"	57-3/4"	11-1/2" to 12"	51" to 58-1/2"	627.54
448TP58-11	11"	22"	58-1/4"	65-1/4"	11-1/2" to 12"	58-1/2" to 66"	670.47
448TP43-14	14"	22"	43-1/4"	50-1/4"	14-1/2" to 15"	43-1/2" to 51"	635.71
448TP51-14	14"	22"	50-3/4"	57-3/4"	14-1/2" to 15"	51" to 58-1/2"	691.69
448TP58-14	14"	22"	58-1/4"	65-1/4"	14-1/2" to 15"	58-1/2" to 66"	751.09



PANTRY STORAGE

SOFT-CLOSE PULL-OUT PANTRY

5700 Series

Adjustable Frame Height



Telescoping frames for height adjustability of 6-1/2". Frame Heights range from a 43-1/2" min. to 80-3/4". Full extension, Upper & lower Soft-Close slides. Door mounting brackets feature new micro adjustment. Incorporates bottom and Top Slide Covers for a finished look and features a Soft-Close slide system.

Load Capacity: 250 lbs. Depth: 20". All baskets are 17-1/4" deep and 3" in height and are adjustable. All Chrome finish.

Code	Min Width	Frame Height	# of Baskets	List
5743-09CR*	8-7/8"	43-13/32" - 50-3/4"	4	\$ 733
5743-14CR*	14-3/4"	"	4	781
5743-20CR*	20-5/8"	"	4	850
5750-09CR*	8-7/8"	50-3/4" - 58-9/32"	4	795
5750-14CR*	14-3/4"	"	4	850
5750-20CR	20-5/8"	"	4	1069
5758-09CR	8-7/8"	58-1/4" - 65-3/4"	5	984
5758-14CR	14-3/4"	"	5	1079
5758-20CR	20-5/8"	"	5	1178
5773-09CR	8-7/8"	73-5/8" - 80-3/4"	6	880
5773-14CR	14-3/4"	"	6	950
5773-20CR	20-5/8"	"	6	1386

* Special Order

SOFT-CLOSE PULL-OUT PANTRY - All Special Order

5200 MP Series

5225-09-MP



5273-14-MP



Anti-Skid Maple Shelves



Available in 3 heights & 2 widths; each feature adjustable maple shelves with Stylinox™, an Anti-Skid transparent coating that prevents skidding and protects the surface. The pantry has a 250 lb. rated soft-closing slide, is door mountable and comes kit packaged.

Load capacity: 250 lbs. Depth: 19-1/2". All baskets are 17-1/4" deep and 3" in height and are adjustable. Maple shelves. **All Special Order.**

Code	Min Width	Frame Height	# of Baskets	List
5225-09-MP	8-5/8"	26-3/4" - 35"	3	\$ 864
5258-09-MP	8-5/8"	59-1/2" - 66-7/8"	5	1143
5258-14-MP	14-1/2"	59-1/2" - 66-7/8"	5	1217
5273-09-MP	8-5/8"	74-7/8" - 81-7/8"	6	1340
5273-14-MP	14-1/2"	74-7/8" - 81-7/8"	6	1500



PANTRY STORAGE

CHEF PANTRY

Made in Germany



Full Depth: 22-3/4"
High Capacity: 23% more storage

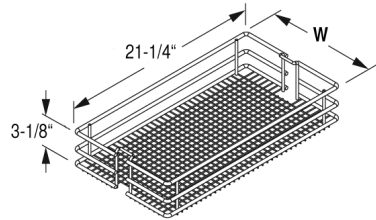
12 Minute Install

Soft-Close Pantry

Door adjusts:
Height, Side, Door Warp & Tilt



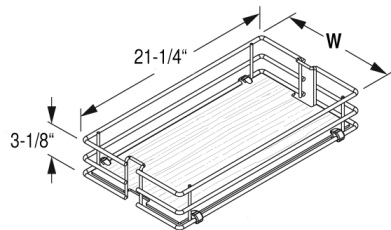
Chrome Plated Baskets



Chrome or Maple

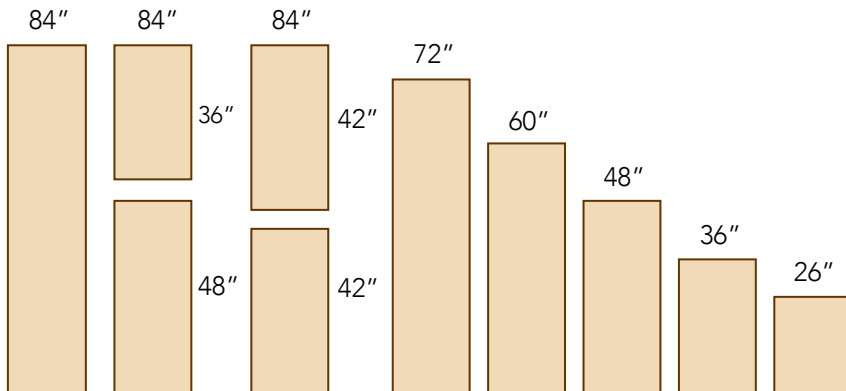


Maple Melamine base, silver powder coated baskets



- 12 Minute Install
- Door adjusts for: Height, Side, Door Warp & Tilt
- Baskets Adjust in 2-1/2" steps
- Synchro-action : 265 lbs.
- Five widths : 9" - 20" • Any height 26" - 84"

16

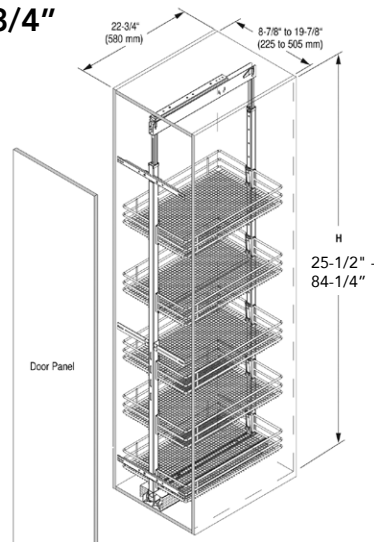


Many Solutions Possible: every inch from 26" to 84" high. Five widths: 9" - 20".



PANTRY STORAGE

Depth: 22-3/4"



Chef Pantry

Complete sets include pantry pull-out frame, top and bottom slides, baskets and door adapters.

Cabinet Dimensions:

Specify **Width** and **Basket type** when ordering:
 'C' for Chrome baskets or 'M' for Maple baskets
 (Example: 9076-11C)

Complete Sets	# of Baskets	Min Width	Frame Ht	Depth	List Chrome	List Maple
9037-8 'C' or 'M'	2	8-7/8"	25-1/2" - 37-1/2"	22-3/4"	\$ 712	794
9037-11 'C' or 'M'	2	11-5/8"	25-1/2" - 37-1/2"	22-3/4"	722	808
9037-14 'C' or 'M'	2	14-3/8"	25-1/2" - 37-1/2"	22-3/4"	732	834
9037-17 'C' or 'M'	2	17-1/8"	25-1/2" - 37-1/2"	22-3/4"	742	860
9037-19 'C' or 'M'	2	19-7/8"	25-1/2" - 37-1/2"	22-3/4"	750	874
9047-8 'C' or 'M'	4	8-7/8"	37-1/2" - 47-1/4"	22-3/4"	694	860
9047-11 'C' or 'M'	4	11-5/8"	37-1/2" - 47-1/4"	22-3/4"	714	886
9047-14 'C' or 'M'	4	14-3/8"	37-1/2" - 47-1/4"	22-3/4"	734	936
9047-17 'C' or 'M'	4	17-1/8"	37-1/2" - 47-1/4"	22-3/4"	752	988
9047-19 'C' or 'M'	4	19-7/8"	37-1/2" - 47-1/4"	22-3/4"	768	1014
9057-8 'C' or 'M'	4	8-7/8"	47-1/4" - 57"	22-3/4"	696	862
9057-11 'C' or 'M'	4	11-5/8"	47-1/4" - 57"	22-3/4"	726	888
9057-14 'C' or 'M'	4	14-3/8"	47-1/4" - 57"	22-3/4"	736	940
9057-17 'C' or 'M'	4	17-1/8"	47-1/4" - 57"	22-3/4"	754	990
9057-19 'C' or 'M'	4	19-7/8"	47-1/4" - 57"	22-3/4"	770	1016
9067-8 'C' or 'M'	4	8-7/8"	57" - 67"	22-3/4"	718	884
9067-11 'C' or 'M'	4	11-5/8"	57" - 67"	22-3/4"	736	910
9067-14 'C' or 'M'	4	14-3/8"	57" - 67"	22-3/4"	760	962
9067-17 'C' or 'M'	4	17-1/8"	57" - 67"	22-3/4"	776	1014
9067-19 'C' or 'M'	4	19-7/8"	57" - 67"	22-3/4"	794	1040
9076-8 'C' or 'M'	6	8-7/8"	67" - 76-3/4"	22-3/4"	844	1094
9076-11 'C' or 'M'	6	11-5/8"	67" - 76-3/4"	22-3/4"	874	1132
9076-14 'C' or 'M'	6	14-3/8"	67" - 76-3/4"	22-3/4"	906	1210
9076-17 'C' or 'M'	6	17-1/8"	67" - 76-3/4"	22-3/4"	930	1288
9076-19 'C' or 'M'	6	19-7/8"	67" - 76-3/4"	22-3/4"	956	1326
9091-8 'C' or 'M'	6	8-7/8"	74-3/4" - 84-1/4"	22-3/4"	852	1098
9091-11 'C' or 'M'	6	11-5/8"	74-3/4" - 84-1/4"	22-3/4"	882	1140
9091-14 'C' or 'M'	6	14-3/8"	74-3/4" - 84-1/4"	22-3/4"	912	1218
9091-17 'C' or 'M'	6	17-1/8"	74-3/4" - 84-1/4"	22-3/4"	938	1294
9091-19 'C' or 'M'	6	19-7/8"	74-3/4" - 84-1/4"	22-3/4"	962	1330

PANTRY STORAGE

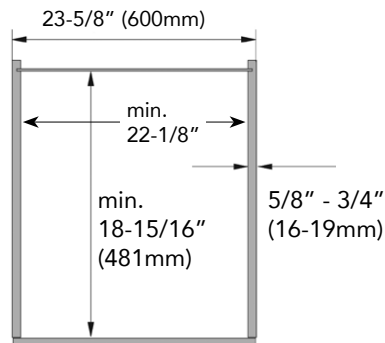
VSA SWING-OUT STORAGE - Soft Close

Made in Germany

Baskets glide out as door is opened. One easy motion brings stored goods into reach. Storage with easy access.

- Basket Width: 19-11/16"
- Cabinet Width: 23-5/8"
- Min. Installation Depth: 18-15/16"
- Tool-free installation of frame onto lower runners
- Tool-free attachment of carriers to mounting frame
- Height adjustment for individual baskets
- 33 lb. load cap per basket
- 4 or 5 Chrome baskets
- Soft Close Hinges purchased separately

Saphir basket



Swing-Out Pantry



For a complete set, you will need:

- 1 Frame (choice of 2 heights)
- 1 Top & Bottom runner
- 1 Carrier
- 1 (4 or 5) Basket Sets

Code	Description	List/ea
90005457	VSA-4 Frame / 57-1/8" - 67-1/8"	\$ 142
90005459	VSA-6 Frame / 74-7/8" - 84-1/4"	152
90005451	Top & Bottom runner	232
90005607	Carrier	34
90005471	Basket (order 4-5)	78



CABINET STORAGE

TALL CABINET FILLERS

432 TF Series



Each section of filler operate independently



432 Tall Filler Organizers



Included Mending Plates securely fastens the frames of 2 Fillers.

Create a pantry behind decorative panels with these Tall 432 fillers. Available for 6" applications, the 432TF Series comes in 39" and 45" heights and can be used alone or in conjunction with others to meet your 84", 90", or 96" height requirements. Each unit features adjustable shelves (5 for the 39", and 6 for the 45") with chrome rails, 150 lb. full extension ball bearing slides, mounting brackets and three-slide design that provides for the most stable function on the market. Made from maple with a UV clear coat finish.

Available in 39" and 45" Heights.

Code	Dimensions	List
432-TF39-6C	6" W x 23" D x 38-1/2" H	\$ 317.47
432-TF45-6C	6" W x 23" D x 44-1/2" H	343.80

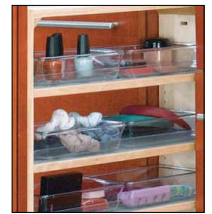
VANITY FILLER PULL-OUT

432 VF Series

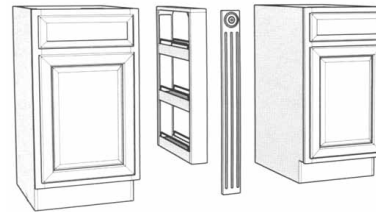


432VF

Available for Base Height and Vanity Height Applications.



Acrylic Bins included



Installation is easy! Simply attach the organizer to adjacent cabinets and add a filler front and decorative onlay for a completely functional storage pull-out.

Vanity filler storage pull-out to utilize wasted space behind decorative fillers. The adjustable wood shelves feature clear polycarbonate rails and non-skid vinyl shelf liners. Clear acrylic storage trays are also included to keep smaller items organized. The 26" version, for vanity height applications and 30" base height version are available in 3" and 6" widths. Full extension ball-bearing slides.

Vanity Height - with 4 acrylic bins

Code	Dimensions	List
432-VF26-3	3" W x 19" D x 26" H	\$ 210.05
432-VF26-6	6" W x 19" D x 26" H	271.47

Vanity Base Height - with 6 acrylic bins

Code	Dimensions	List
432-VF30-3	3" W x 19" D x 30" H	\$ 251.91
432-VF30-6	6" W x 19" D x 30" H	320.89

CABINET STORAGE



BASE CABINET FILLERS

432 BF Series



Attach filler to one side of the cabinet and add a decorative onlay for a completely functional storage pull-out.

Add storage space behind decorative panels with base or wall filler cabinets. Transforms decorative fillers into functional storage pull-outs. Features adjustable shelves with chrome rails and full extension ball-bearing slides. Wood is solid maple/birch, UV cured with clear finish.

Available in three different slides:

- 432-BF: Full Extension Ball Bearing Slides
- 432-BFBBSC: Full Extension Soft Close Ball Bearing Slides
- 432-BFSC: Full Extension Blumotion Soft Close Slides

On the 432-BFSC, middle shelf is solid for extra support. All base organizers come fully assembled.

432-BF Full Extension Ball Bearing Slides

Code	Dimensions	List/ea
432-BF-3C	3" W x 23" D x 30" H	\$ 135.24
432-BF-6C	6" W x 23" D x 30" H	165.22
432-BF-9C	9" W x 23" D x 30" H	197.15

432-BFBBSC with Soft Close

432-BFBBSC-3C	3" W x 23" D x 30" H	\$ 175.62
432-BFBBSC-6C	6" W x 23" D x 30" H	209.92

432-BFSC with Blumotion Soft Close

432-BFSC-3C	3" W x 23" D x 30" H	\$ 212.15
432-BFSC-6C	6" W x 23" D x 30" H	249.37

WALL CABINET FILLERS

432 WF Series

Four Heights Available



Wall Filler Pull-Out Cabinets create functional storage space behind decorative panels. Adjustable shelves with chrome rails and full-extension ball-bearing slides. Wood is solid maple/birch, UV cured with clear finish. All wall organizers come fully assembled.

Code	Dimensions	List/ea
432-WF-3C	3" W x 11-1/8" D x 30" H	\$ 134.24
432-WF-6C	6" W x 11-1/8" D x 30" H	157.78
432-WF36-3C	3" W x 11-1/8" D x 36" H	137.10
432-WF36-6C	6" W x 11-1/8" D x 36" H	168.43
432-WF39-3C	3" W x 11-1/8" D x 39" H	137.48
432-WF39-6C	6" W x 11-1/8" D x 39" H	171.40
432-WF42-3C	3" W x 11-1/8" D x 42" H	145.90
432-WF42-6C	6" W x 11-1/8" D x 42" H	177.11



CABINET STORAGE

REV-A-SHELF PULL-OUT BASE ORGANIZER

448 BC Series

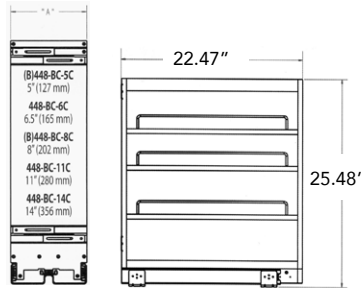


REV-A-SHELF®
Wood Classics

- Micro door adjustment
- Adjustable Shelves
- Soft-Close available

448-BC-8C

Pull-out Base Organizer contains: 3-tier pull-out, chrome side rails and full extension "tri-slides" for complete stability and easy installation.



Also available in Soft-Close w/ Ball Bearing and Soft-Close w/ Blum Tandem slides.

Code	Dimensions	List
448-BC-5C	5" W x 25-1/2" H x 22-1/2" D	\$ 141.67
448-BC19-5C	5" W x 25-1/2" H x 19" D	197.99
448-BC-6C	6.5" W x 25-1/2" H x 22-1/2" D	163.10
448-BC-8C	8" W x 25-1/2" H x 22-1/2" D	181.43
448-BC19-8C	8" W x 25-1/2" x 19" D	278.47
448-BC-11C	11" W x 25-1/2" H x 22-1/2" D	282.75
448-BC-14C	14" W x 25-1/2" H x 22-1/2" D	335.15

Soft Close w/ Ball Bearing

448-BCBBS-5C	5"W x 25-1/2"H x 21-3/4"D	199.64
448-BCBBS-8C	8"W x 25-1/2"H x 21-3/4"D	212.90

Soft Close w/ Blum Tandem Slides

448-BCSC-5C	5.5"W x 25-1/2" H x 21-5/8"D	239.65
448-BCSC-6C	6.5"W x 25-1/2"H x 21-5/8"D	253.24
448-BCSC-8C	8"W x 25-1/2"H x 21-5/8"D	255.50
448-BCSC-9C	9.5"W x 25-1/2"H x 21-5/8"D	301.45
448-BCSC-11C	11"W x 25-1/2"H x 21-5/8"D	304.42
448-BCSC-14C	14"W x 25-1/2"H x 21-5/8"D	398.00

SPICE RACK FOR 448-BC-8C BASE ORGANIZER



Spice Rack Insert

Use with 448-BC-8C size



Keep spices within reach with the 448 Spice Rack Insert. Use with the 448-BC-8C size. Features a unique angled design for easy spice access, drop-in installation, and a maple UV clear coat finish to match pullout.

Code	Dimensions	List
448-SR8	7" W x 4-7/8" H x 21" D	\$ 46.51

WALL FILLER PULL-OUT SHELF

448 Series



448WC-05C
5" Wide
26-1/4" High

448WC-08C
8" Wide
26-1/4" High



Shelf Pull-Out with chrome rails designed for wall 9" and 12" cabinets. Features full-extension "tri-slides" for complete stability and adjustable door mount brackets providing up to 5" of flexibility for trouble-free installation on any door style. Includes three adjustable shelves and offers up to five surface areas. Wood is solid maple/birch, UV-cured with clear finish.

Code	Dimensions	List
448WC-05C	5"W x 10-3/4"D x 26-1/4"H	\$ 113.19
448WC-08C	8"W x 10-3/4"D x 26-1/4"H	131.44

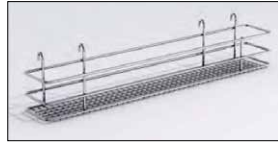


CABINET STORAGE

DSA BASE UNIT SIDE PULL-OUT

Soft Close

22" Depth

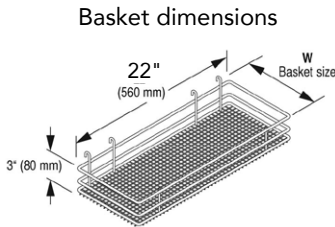


3-3/8" Saphir basket for min cab opening width of 4-1/2"

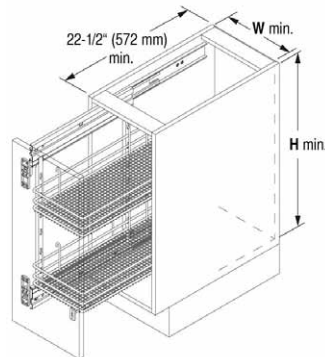


9" Saphir basket for min cab opening width of 10-1/8"

- 3-D front adjustment
- Full-Extension, side mounted with soft-close/self close
- Non-handed
- Load capacity: 45 lbs.
- Door mount brackets included
- Chrome finish



Basket dimensions
Four Basket widths available



Cabinet dimensions allow 22-1/2" Depth

UTENSIL BIN BASE ORGANIZER

w/ Blum Soft-Close Slides



448UT-BCSC-8C



448UT-BCSC-5C

- Designed for full height 9" and 12" base cabinets
- Adjustable shelves and rear wall for extra strength and durability
- Comes with 3 stainless steel bins
- Sizes accommodate 5-1/2" and 8-1/2" minimum cabinet openings
- Full extension soft close slides


Both sizes 21-5/8" Depth and 25-1/2" Height

Code	Dimensions	List/ea
448UT-BCSC-5C	5-1/2" Width	\$ 297.85
448UT-BCSC-8C	8" Width	340.59

16 Order Frame and Baskets Separately

Frame	Frame Height	For Basket Qty	List/ea
90003259	26-1/2"	3	\$ 220

Baskets	Width	Min Cab Opening	Baskets per Set	List/st
90002570	3-3/8"	4-1/2"	3	\$ 166
90002572	5"	6"	3	182
90002574	6-1/2"	7-1/2"	3	210
90002576	9"	10-1/8"	3	236

 See video at MacMurrayPacific.com



CABINET STORAGE

BASE CABINET PULLOUT KNIFE/UTENSIL ORGANIZER w/ Blumotion Soft-Close



448KB-BCSC-8C

Knife/Utensil
Organizer Pullout

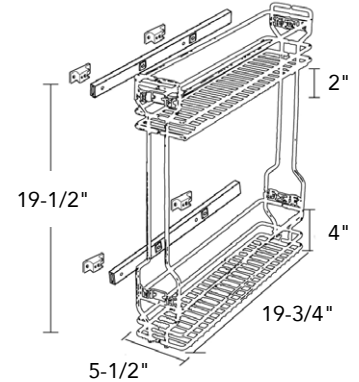


448KB-BCSC-11C

- Features 2 universal knife inserts, stainless steel utensil bin(s) and adjustable shelf for lower storage
- Easy to clean
- Full-extension soft-close slides
- Includes door mount brackets and adjustable rub bushings
- Adjustable rear wall for extra strength and stability
- Knife inserts feature movable flex rods that adjust to hold a multitude of knives
- 8" base includes one 5-1/4" stainless steel bin, 11" base includes four stainless steel bins: two 5-1/4" and two 5"

Code	Dimensions	List
448KB-BCSC-8C	8"W x 21-5/8"D x 25-1/2"H	\$ 444.98
448KB-BCSC-11C	11"W x 21-5/8"D x 25-1/2"H	535.27

TWO-TIER BASE ORGANIZER 548 Series



5-1/2" Chrome Base Organizer with ball-bearing reversible slides and 12-1/2" extension with door mounting capability. Side mount. Mounting screws and spacers (for face frame installation) are included. Overall: 5-1/2" W x 19-3/4" D x 19-1/2" H.

Code	Finish	List/ea
548-06CR	Chrome	\$ 119.89

VANITY STORAGE



GROOMING ORGANIZER

445 Series



Adjustable Door Mount Brackets

445-VCG
Available
20-1/4" or 25-1/2" Ht.

- Now featuring full-extension Soft-Close slides
- Designed for Full Height Vanity and Base height 12" cabinet applications
- 19" Depth
- Adjustable shelves with non-skid vinyl liners and clear polycarbonate rails
- Includes two stainless steel bins for storing curling irons and hair dryers
- Adjustable door mount brackets

Contains (1) completely assembled organizer with 100 lb. weight rated, full extension slides and adjustable shelves.



Includes Stainless Steel Bins

Dimensions:

445-VCG20: 8-7/16" W x 19-9/16" D x 20-1/4" H
445-VCG25: 8-7/16" W x 19-9/16" D x 25-1/2" H

Code	Description	List/ea
445-VCG20-8	8" Vanity Ht. Grooming Organizer	\$ 247.45
445-VCG20SC-8	8" Vanity Ht. Soft-Close Grooming Organizer	289.92
445-VCG25-8	8" Base Ht. Grooming Organizer	286.72
445-VCG25SC-8	8" Base Ht. Soft-Close Grooming Organizer	329.06

VANITY BASE ORGANIZER

448 VC Series



Adjustable Door Mount Brackets

448-VC
Available
20-1/4" or 25-1/2" Ht.

- Now featuring full-extension Soft-Close slides
- Designed for Full Height Vanity and Base height 12" cabinet applications
- 19" Depth
- Adjustable shelves with non-skid vinyl liners and clear polycarbonate rails
- Includes polycarbonate bins and a 3rd shelf for more storage options
- Adjustable door mount brackets

Contains (1) completely assembled organizer with 100 lb. weight rated, full extension slides and adjustable shelves with polycarbonate bins.



Includes Polycarbonate Bins

Dimensions:

448-VC20: 8-7/16" W x 19-9/16" D x 20-1/4" H
448-VC25: 8-7/16" W x 19-9/16" D x 25-1/2" H

Code	Description	List/ea
448-VC20-8	8" Vanity Base Organizer	\$ 315.87
448-VC20SC-8	8" Vanity Soft-Close Base Organizer	357.18
448-VC25-8	8" Base Ht. Grooming Organizer	383.88
448-VC25SC-8	8" Base Ht. Soft-Close Grooming Organizer	419.35

16

WASTE CONTAINERS

ELECTRIC ASSIST

**GRASS SENSOMATIC
ELECTRO-MECHANICAL OPENING KIT**
Waste bin cabinet with bottom panel frame mounting



**Sensomatic Kit
Set Includes:**

- 1- Opening Unit
- 1- Base frame
- 1- Power supply unit
- 1- Connection cable (1000mm)
- 1- Power cord
- 4- Front bumpers (F121100296223)
 - 8mm hole
 - Front gap 4mm

- Can be used with:
Rev-A-Shelf 5349 Series Waste Bins, King Slide, Grass DWD-XP and Nova Pro, and Blum Tandem.

Code F121100698201 List/set \$ 630

FOB North Carolina

ELECTRIC ASSIST WASTE CONTAINERS
4WCSD Series



Create a Recycling Center!
Lid not included, but can be purchased separately. Can only be used on front bin.
(see page 1641 for lids)

The Rev-A-Shelf electric assist waste containers is available as a complete kit with a dovetail maple drawer box, adjustable door mounting brackets, durable polymer waste containers, plus Blum's Tandem heavy duty full extension concealed runners with Blumotion soft close and Servo-Drive touch-to-open.

It allows the waste container to open automatically with just a touch on the front of the door or with a light pull of the handle. Perfect for when your hands are full of messy garbage and you can't access your pull-out waste container. Silver polymer containers. Lid not included.

	<u>Dimensions</u>	<u>Min Opening</u>
4WCSD-1835DM-2	15"W x 22-1/2"D x 20-3/8"H	15"W
4WCSD-2150DM-2	18"W x 22-1/2"D x 24-1/4"H	18"W

<u>Code</u>	<u>Description</u>	<u>List</u>
4WCSD-1835DM-2	Double 35 Quart Electric Assist Waste containers	\$ 641.90
4WCSD-2150DM-2	Double 50 Quart Electric Assist Waste containers	716.70

16



WASTE CONTAINERS



PREMIER WASTE PULL OUTS

5349 Series / Soft Close

Rev-A-Shelf's Premier Pull Outs feature bottom mount, full extension, heavy-duty soft-close brushed aluminum slides, heavy duty wire frame for supporting the containers and a fully adjustable door mounting system. Single waste container set features a built-in storage area for bags. Load Cap: 100 lbs.



Single Pull-Out Waste Containers / White & Silver Polymer

Code	Description	Width	Depth	Height	List
5349-15DM-1	One 35 Qt. White Container	10-3/4"	21-15/16"	19-1/4"	\$ 245.65
5349-15DM18-1	One 35 Qt. White Container	10-13/16"	18"	19-5/16"	292.04
5349-15DM-117	One 35 Qt. Silver Container	10-3/4"	21-15/16"	19-1/4"	328.44
5349-15DM18-117	One 35 Qt. Silver Container	10-13/16"	18"	19-5/16"	293.88
5349-1550DM-1	One 50 Qt. White Container	10-3/4"	21-15/16"	23-1/8"	291.40



Single/Double Pull-Out Waste Containers / Stainless Steel

Code	Description	Width	Depth	Height	List
5349-15DM-1SS	One 32 Qt. Stainless Steel	10-3/4"	21-15/16"	19-1/8"	\$ 513.35
5349-15DM18-1SS	One 32 Qt. Stainless Steel	10-13/16"	18"	19-1/8"	503.81
5349-18DM-2SS	Two 32 Qt. Stainless Steel	14-13/16"	22-1/8"	18-13/16"	676.33



Double Pull-Out Waste Containers / White & Silver Polymer

Code	Description	Width	Depth	Height	List
5349-1527DM-2	Two 27 Qt. White Containers	11-11/16"	22-1/4"	18-15/16"	\$ 281.01
5349-1527DM-217	Two 27 Qt. Silver Containers	11-11/16"	22-1/4"	18-15/16"	303.67
5349-18DM-2	Two 35 Qt. White Containers	14-13/16"	21-7/8"	19-1/4"	283.44
5349-18DM-217	Two 35 Qt. Silver Containers	14-13/16"	22-1/8"	19-1/4"	308.86
5349-2150DM-2	Two 50 Qt. White Containers	14-13/16"	22-1/8"	22-15/16"	298.93
5349-2150DM-217	Two 50 Qt. Silver Containers	14-13/16"	22-1/8"	22-15/16"	378.40

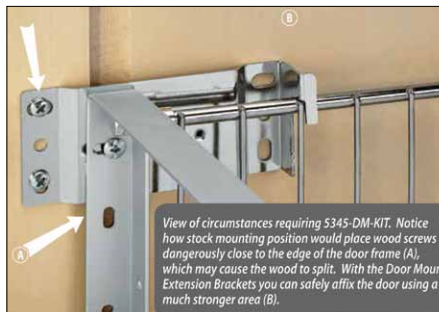
16 DOOR MOUNT EXTENDER KIT

For 5349 Series

The Door Mount Extender Kit is designed for Rev-A-Shelf aluminum frame pull-outs.

Attaches to the existing door bracket for an extended mounting adjustability for any drawer front or cabinet door style where previously a sub-door might have been required. Kit can be used on the Rev-A-Shelf 5349, 5498, 5527 and 5590 Series.

Code	Description	List/ea
5345-DM-KIT-1	Door Mount Extender Kit	\$ 32.32



REPLACEMENT PISTON SET

For 5349 Series

Code	List/st
SP-5349-13A	\$ 44.09





SOFT CLOSE WASTE CONTAINERS

4WCSC Series



4WCSC-1835DM-2



Tandem Slides



Create a Recycling Center!

Lid not included, but can be purchased separately. Can only be used on front bin.

(see page 1641 for lids)

Bottom Mount waste containers feature Blum Tandem heavy duty, full-extension concealed soft-close slides. Dovetail maple drawer box. Comes with 35 or 50 Qt. containers. Door mount with adjustable brackets. Metallic silver waste bins.

	<u>Dimensions</u>	<u>Min Opening</u>
4WCSC-1535DM-1	12"W x 21-3/4"D x 19-1/2"H	12"W
4WCSC-1835DM-2	15"W x 21-3/4"D x 20-3/8"H	15"W
4WCSC-2150DM-2	18"W x 21-3/4"D x 24-1/4"H	18"W

<u>Code</u>	<u>Description</u>	<u>List</u>
4WCSC-1535DM-1	Single 35 Quart Soft Close Waste container	\$ 232.00
4WCSC-1835DM-2	Double 35 Quart Soft Close Waste containers	280.39
4WCSC-2150DM-2	Double 50 Quart Soft Close Waste containers	316.81

WASTE CONTAINERS

REV-A-MOTION SOFT CLOSE WASTE CONTAINERS

4WCBM Series

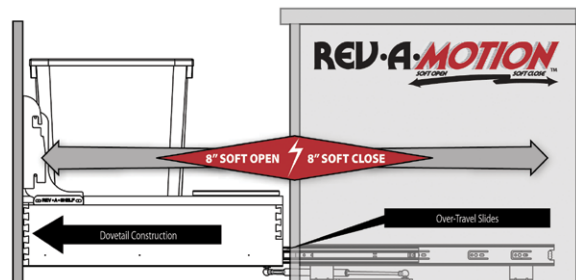


Lids not included.

(see page 1641 for lids)



4WCBM-2430DM-2



Bottom mount wood waste containers with Rev-A-Motion™ Soft Open/Soft Close slide system. Opens smoothly and shuts softly. Allows installation into 1-1/2", 1-5/8", and 1-3/4" face frame sizes, as well as frameless construction. Dovetail wood drawer with built-in door mount brackets and removable wood bin in rear for bag storage. Over-travel concealed 150 lb. slides. Metallic silver waste bins.

<u>Code</u>	<u>Bins</u>	<u>Code</u>	<u>Bins</u>
4WCBM-15DM-1	1- 35 Qt	4WCBM-2430DM-2	2- 30 Qt
4WCBM-1550DM-1	1- 50 Qt	4WCBM-18DM-2	2- 35 Qt
		4WCBM-2150DM-2	2- 50 Qt

<u>Code</u>	<u>W x D x H</u>	<u>List/ea</u>
4WCBM-15DM-1	12" x 21-3/4" x 19-1/4"	\$ 299
4WCBM-1550DM-1	12" x 21-3/4" x 23-3/16"	304
4WCBM-18DM-2	14-1/4" x 21-3/4" x 19-1/4"	315
4WCBM-2150DM-2	17-1/4" x 21-3/4" x 23-3/16"	353
4WCBM-2430DM-2	20-1/4" x 21-3/4" x 19-1/4"	373



WASTE CONTAINERS

4WC SERIES WASTE CONTAINERS

Bottom Mount



4WC-15DM1



4WC-18DM2

- White Single 35 Quart and Double 35 Quart waste containers
- Single pull-out has rear storage bin
- Solid Maple construction
- 150 lb. Full extension, ball bearing slides
- Pre-assembled door mount brackets

Dimensions:

4WC-15DM1: 11-1/4" W x 21-3/4" D x 19-1/4" H

4WC-18DM2: 14-1/4" W x 21-3/4" D x 19-1/4" H

Code	Description	List/ea
4WC-15DM1	Single, Wht 35 Qt. Bin, w/ Door Mount	\$ 179.17
4WC-18DM2	Double, Wht 35 Qt. Bins, w/ Door Mount	194.62

OKO XXLINER WASTE BIN SYSTEM

Large capacity in a small cabinet

Soft-Close

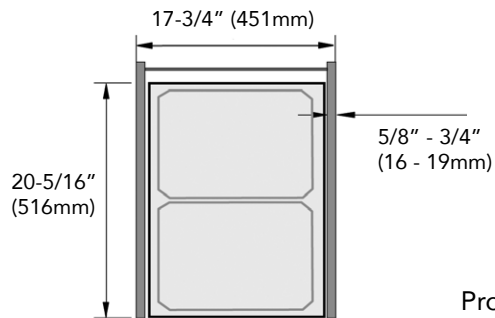


The space saving Oko XXLiner is self- and soft-close, and side mounts into a compact base cabinet.

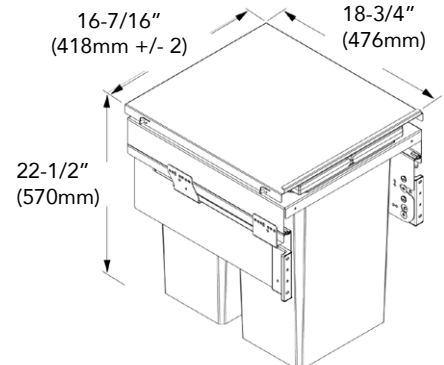
Provides high capacity slide-out waste disposal close to the worktop. Powder coated lid pulls out for added convenient storage.

- Cabinet width: 17-3/4"
- Installation depth: min. 20-5/16"
- Installation height: min. 22-7/8"
- Integral 3-D front adjustment, soft-closing and self-closing. Slide is smooth rack & pinion design
- Metal frame is silver powder coat finish
- Additional storage available using powder-coated roll-out lid
- Max capacity: 74 Qts. (2 bins, 37 Qts. each)

Cabinet Dimensions



Product Dimensions



Code	Description	List/ea
90005908	Oko XXLiner Waste Bin System	\$ 390.67



DOOR MOUNT WASTE CONTAINERS

5149 Series / With Soft Close Slides



Featuring single and double silver waste containers. Anodized aluminum frame with Rev-A-Motion Soft-Open/Soft-Close slides.



- Aluminum Frame with mitered corners
- Versatile base works with 35 Qt and 50 Qt containers for easy upgrade to full height cabinet applications
- Adjustable door mount brackets with up to 5" of flexibility to fit any door style
- Built-in storage on all single units (except 18" slide units)
- Durable and easy to clean polymer base
- 150 lb. over-travel slides for full accessibility
- Available in 27, 35 and 50 Qt silver polymer containers
- Fully assembled

Min Width Opening

Code	Dimensions	Face	
		Frameless	Frame
5149-15DM-117	12-1/8"W x 22"D x 19-1/2"H	12-1/4"	11-1/2"
5149-15DM18-117	12-1/8"W x 18"D x 19-1/2"H	12-1/4"	11-1/2"
5149-1550DM-117	12-1/8"W x 22"D x 23-1/2"H	12-1/4"	11-1/2"
5149-1527DM-217	12-1/8"W x 22"D x 19-1/2"H	12-1/4"	11-1/2"
5149-18DM-217	14-3/16"W x 22"D x 19-1/2"H	14-1/2"	14-1/2"
5149-2150DM-217	15-5/8"W x 22"D x 23-1/2"H	15-3/4"	15-3/4"

Code	Description	List/ea
5149-15DM-117	Single 35 Qt Silver Bin	\$ 248.64
5149-15DM18-117	Single 35 Qt Silver Bin w/ 18" Slides	272.59
5149-1550DM-117	Single 50 Qt Silver Bin	252.90
5149-1527DM-217	Double 27 Qt Silver Bins	260.82
5149-18DM-217	Double 35 Qt Silver Bins	239.03
5149-2150DM-217	Double 50 Qt Silver Bins	245.44

WASTE CONTAINERS

UNDER SINK MOUNT WASTE CONTAINERS

Features 2 Stainless Steel Bins



8-785-30-DM2SS



Removable Cans

- Door mount undersink waste container
- Full-Extension, ball bearing slides
- Fits in limited spaces around existing plumbing
- Unit has two stainless steel bins:
 - One 10 liter (2.64 gal) bin and One 20 liter (5.28 gal) bin, a covered lid and built in handles for easy removal

Dimensions:

10-1/4" W x 18-3/4" D x 15-3/16" H

Code	Description	List/ea
8-785-30-DM2SS	Door Mount Under Sink Waste Containers	\$ 312.22

UNDERMOUNT WASTE CONTAINER FRAME

53WCF - Soft Close



Frame, Slides, and Brackets only!

- Bins and lids sold separately!
- Fast and Easy install
- Door mount brackets included

- Single and Double 35 Qt. Soft Close Frames
- Full Extension Soft-Close slides - 90 lbs. cap.
- Removable Rear Basket on Single version

Code	Dimensions
53WCF-117SC-48	10-7/8" W x 22-1/4" D x 19" H
53WCF-217SC-48	14-3/8" W x 22-1/4" D x 19" H

Code	Description	List/ea
53WCF-117SC-48	Single 35 Qt. Frame	\$ 175.83
53WCF-217SC-48	Double 35 Qt. Frame	175.83

WASTE CONTAINERS - SOFT CLOSE



TOP MOUNT SINGLE WASTE CONTAINERS

4WCTM Soft Close Series / For Face Frame



Top Mount Soft-Close

Available in 35 and 50 Quart Containers

Optional Lids available - see page 1641

4WCTM-12BBSCDM1



Soft-Close Slide and Floating Rear Bracket

4WCTM-12BBSCDM1 Features:

- Single 35 Quart silver container
- 1-1/2" over travel soft-close ball-bearing slides
- Includes rear polymer storage bin
- Pre-assembled door mounting brackets
- Innovative floating bracket that ensures soft-close functionality even when your cabinet wood swells or shrinks

Dimensions: 12" W x 22-3/4" D x 17-7/8" H

4WCTM-1550BBSCDM-1 Features:

- Single 50 Quart silver container
- 1-1/2" over travel soft-close ball-bearing slides
- Pre-assembled door mounting brackets
- Rear adjustable mounting brackets for variances in cabinet depth

Dimensions: 12" W x 23-1/4" D x 21-3/4" H

Code	Description	List
4WCTM-12BBSCDM1	Single 35 Qt. Silver Bin w/ Storage Bin included	\$ 135.94
4WCTM-1550BBSCDM-1	Single 50 Qt. Silver Bin	139.58

TOP MOUNT DOUBLE WASTE CONTAINERS

4WCTM Soft Close Series / For Face Frame



Top Mount Soft-Close

Available in 27, 35 and 50 Quart Containers

Optional Lids available - see page 1641

4WCTM-15BBSCDM2

Designed for absolute sturdiness with front side mounting, rear adjustable mounting brackets for variances in cabinet depth and a floating bracket that ensures soft-close functionality even when your cabinet wood swells and shrinks. Complete with pre-assembled door mounting brackets and 1-1/2" overtravel soft-close ball-bearing slides.



- Floating bracket ensuring soft-close functionality

- Pre-assembled door mounting brackets
- Rear adjustable mounting brackets for variances in cabinet depth

Code	Description	List
4WCTM-15BBSCDM2	Double 27 Qt. Silver Bins 12" W x 23-1/4" D x 17-3/4" H	\$ 161.99
4WCTM-18BBSCDM2	Double 35 Qt. Silver Bins 15" W x 22-3/4" D x 17-7/8" H	161.99
4WCTM-2150BBSCDM-2	Double 50 Qt. Silver Bins 18" W x 23-1/4" D x 21-3/4" H	174.71



WASTE CONTAINERS

4WCTM SERIES TOP MOUNT WASTE CONTAINERS



These pull-out waste containers all have 150 lb. full extension over-travel slides and a maple frame. Each unit has three mounting options: Front, rear and door. White polymer containers. Optional Lids available - see page 1641.



27 QUART - DOUBLE BIN

Width: 12"
Depth: 23-1/4"
Height: 17-3/4"

Comes with two 27 quart white polymer bins.

<u>Code</u>	<u>List</u>
4WCTM-15DM2	\$ 141.56



35 QUART - DOUBLE BIN

Width: 18" or 21"
Depth: 22-3/4"
Height: 17-7/8"

Comes with two 35 quart white polymer bins.

<u>Code</u>	<u>Width</u>	<u>List</u>
4WCTM-21DM2	18"	166.83
4WCTM-24DM2	21"	186.15



35 QUART - SINGLE BIN

Width: 12"
Depth: 23-1/4"
Height: 17-3/4"

Extra storage compartment behind single bin.

<u>Code</u>	<u>List</u>
4WCTM-12DM1	\$ 117.41



50 QUART - SINGLE BIN

Width: 12"
Depth: 23-1/4"
Height: 21-3/4"

Extra storage compartment behind single bin.

<u>Code</u>	<u>List</u>
4WCTM-1550DM-1	125.84



35 QUART - DOUBLE BIN

Width: 15"
Depth: 22-1/2"
Height: 17-7/8"

Comes with two 35 quart white polymer bins.

<u>Code</u>	<u>List</u>
4WCTM-18DM2	\$ 137.48



50 QUART - DOUBLE BIN

Width: 18"
Depth: 23-1/4"
Height: 21-3/4"

Comes with two 50 quart white polymer bins.

<u>Code</u>	<u>List</u>
4WCTM-2150DM-2	153.57

WASTE CONTAINERS



REV-A-SHELF RV SERIES PULL-OUT WASTE CONTAINERS

Heavy duty epoxy-coated wire frame construction. White polymer bins. Easy 4 screw bottom-mount installation. Packaged fully assembled. Optional Door Mount Kits - See next page. Optional Lids available - see page 1641.

RV-814PB - Single 20 Qt. w/ Euro Slides



RV-814PB when rotated:
8-1/2"W x 14-5/8"D x 16-5/8"H 14-1/2"W x 14-5/8"D x 16-1/4"H

- Multi-purpose design for dual configuration for under sink applications
- For use with 4 gallon kitchen trash bags
- 3/4" Euro slides - 75 lb. weight rating

Code	Description	List
RV-814PB	Single 20 Quart Bin	\$ 43.97

RV-9PB - Single 30 Qt. w/ 3/4 Extension Slides



3/4 Extension Ball-Bearing Slides - 75 lb. weight rating. Optional Door Mount Kit.

9-1/2"W x 22"D x 19-1/4"H

Code	List
RV-9PB	\$ 68.62

RV-9PB

RV-12PB - Single 35 Qt. w/ 3/4 Extension Slides



3/4 Extension Ball-Bearing Slides - 75 lb. weight rating. Optional Door Mount Kit.

10-5/8"W x 22"D x 19"H

Code	List
RV-12PB	\$ 72.56

RV-12PB Shown with optional door mount kit

RV-12PB-50S - Single 50 Qt. w/ Lid & Full Ext. Slides

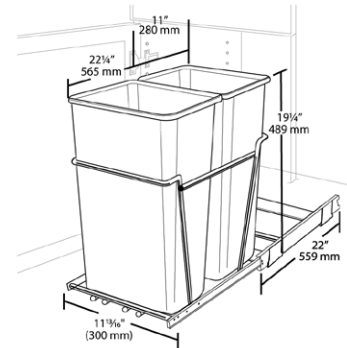


Full Extension Ball-Bearing Slides. 100 lb. weight rating. Optional Door Mount Kit.

10-3/4"W x 22"D x 24-1/4"H

Code	List
RV-12PB-50S	\$ 125.33

RV-15PB-2S - Double 27 Qt. with Full Ext. Slides



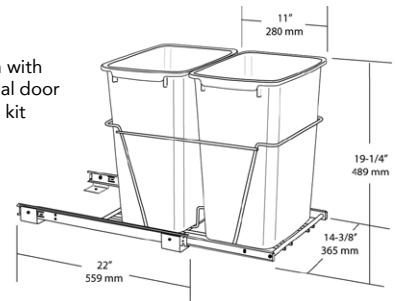
Full Extension Ball-Bearing Slides. 100 lb. weight rating. Optional Door Mount Kit.

Code	Dimensions	List
RV-15PB-2S	11-13/16"W x 22-1/4"D x 19-1/4"H	\$ 117.39

RV-18PB-2S - Double 35 Qt. with Full Ext. Slides



Shown with optional door mount kit



Full Extension Ball-Bearing Slides. 100 lb. weight rating. Optional Door Mount Kit.

Code	Dimensions	List
RV-18PB-2S	14-3/8"W x 22"D x 19-1/4"H	\$ 130.37



WASTE CONTAINERS

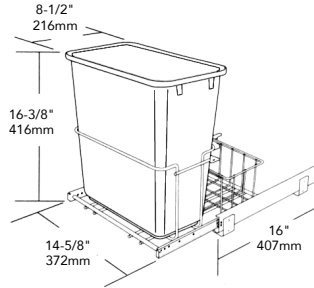
UNDERSINK PULL-OUT WASTE CONTAINER

RV Series



The RV-14PBS clears plumbing 'side saddle'

Undersink pull-out waste container includes one 20 Qt. white polymer container, frame with storage basket and full extension slides. 100 lbs. weight rating.



Code	Dimensions	List
RV-14PBS	14-5/8"W x 16"D x 16-3/8"H	\$ 81.62

RV SERIES PULL-OUT WASTE CONTAINERS

Chrome Frame Construction and Black or Silver Bins



RV-18KD-18CS

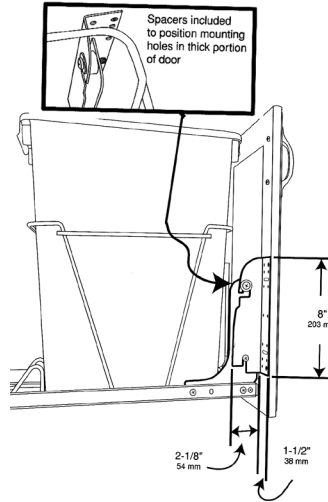
- Heavy Duty Chrome Wire Frame construction
- Choose Black or Silver Waste Containers
- Easy Bottom mount installation
- Optional Door Mount Kit: RV-DM17 KIT

Dimensions:

14-3/8" W x 22" D x 19-1/4" H

Code	Description	List/ea
RV-18KD-17CS	Double 35 Qt. w/ Silver Bins, Chrome Frame	\$ 98.00
RV-18KD-18CS	Double 35 Qt. w/ Black Bins, Chrome Frame	98.00
RV-DM17-KIT	Door Mount Kit, Silver	29.97

REV-A-SHELF HEAVY DUTY DOOR MOUNT KIT



- Fits all RV Series Waste Containers
- Fits all HPRV/HRV Hampers
- Fits all 5CW2 Series Cookware Organizers
- Allows cabinet door to be installed easily
- Six-way adjustable bracket
- Includes a complete set of brackets, fasteners and spacers for installation
- Eliminates the need for a sub door panel

Two piece bracket allows for easy installation and simple job site adjustments. Flexible mounting eliminates need for sub-door panels or extra supports. Spacers allow custom installation onto any door style. Door brackets can be faced in or out to ensure mounting to the thick portion of your cabinet door.



RV-DM-KIT



The door mount bracket flange is designed to be able to overlay the face frame of a cabinet. Once installed, the material thickness of 1/8" is less than any standard "bumper pad". Thus, it will not make contact or otherwise interfere with the front of the face frame.

Includes all brackets and fasteners needed for one door. Available in White or Silver.

Code	Description	List/ea
RV-DM KIT	Door Mount Kit, White	\$ 26.87
RV-DM17-KIT	Door Mount Kit, Silver	29.97

RV-814PB and VL-9PB require the Euro Adapter Kit:

RV-8DMADP	Euro Adapter Kit	N/C
-----------	------------------	-----



WASTE CONTAINERS



REPLACEMENT WASTE CONTAINERS

White Polymer Waste Containers



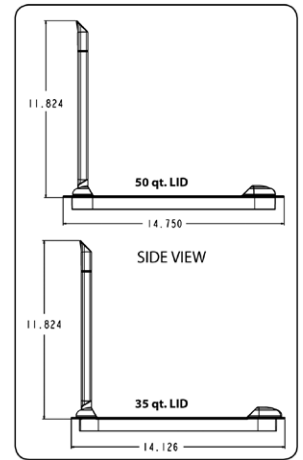
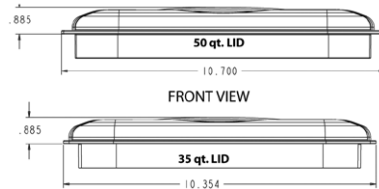
Code	Size	Where Used
RV-20-6	20 Quart	RV-8, RV-14
RV-1024W	27 Quart	RV-15, 4WCTM-15, 5149, 5349
6700-61-B	30 Quart	RV-9, EZ-300, 568 Series
RV-35-8	35 Quart	RV-12, RV-18, 5149, 5349 and 4WC Series, 53WC Series
RV-50-8	50 Quart	RV-12PB-50 and 4WC Series

Code	Dimensions	List/ea
RV-20-6	8-3/8"W x 14-1/4"D x 15"H	\$ 12.25
RV-1024W	11"W x 10-7/8"D x 17-3/4"H	19.44
6700-61-B	9-3/8"W x 15-3/8"D x 17-7/8"H	27.37
RV-35-8	14-3/8"W x 10-1/2"D x 17-7/8"H	12.64
RV-50-8	10-3/4"W x 14-3/4"D x 21-3/4"H	23.04

LIDS FOR 35 QT AND 50 QT CONTAINERS

Rev-A-Shelf Polymer flip-up lids for their most popular waste containers.

Available for 35 Quart and 50 Quart containers.



* These lids will add to the height of the waste containers. We recommend adding 1" to the height. Be sure to take this dimension into account when measuring your cabinet.

16 Silver Polymer Waste Containers



Code	Size	Where Used
RV-35-17-8	35 Quart	5149, 5349, 4WCSD, 4WCSC, RV Series, 53WC Series
RV-50-17-8	50 Quart	5149, 5349, 4WCSD, 4WCSC, RV Series, 53WC Series

Code	Dimensions	List/ea
RV-35-17-8	14-3/8"W x 10-1/2"D x 17-7/8"H	\$ 18.21
RV-50-17-8	10-3/4"W x 14-3/4"D x 21-3/4"H	24.77

Code	Description	List/ea
RV-35-LID	35 Qt. Container Lid - White	\$ 17.69
RV-35-LID-17	35 Qt. Container Lid - Silver	17.59
RV-35-LID-G	35 Qt. Container Lid - Green	20.10
RV-50-LID-1	50 Qt. Container Lid - White	16.84
RV-50-LID-17-1	50 Qt. Container Lid - Silver	18.82

Other colors available special order.



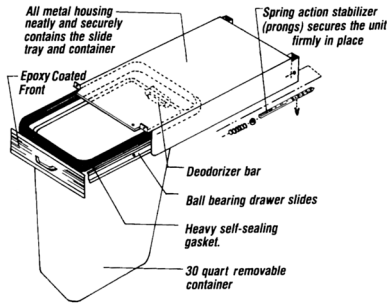
WASTE CONTAINERS

REV-A-SHELF PULL-OUT WASTE CONTAINER

Special Order



EZ300-52



Pull-out waste basket features full-extension, ball-bearing drawer slides, white epoxy front, all metal housing and 30 quart white polymer waste container.

There is also a special storage area for a deodorizer bar (bar included). A screw and bracket kit for frameless cabinet installation can be factory ordered.

Code	Dimensions	List/ea
EZ300-52	10-3/4"W x 22"D x 19-1/2"H	\$ 187.00

Extra 30 Qt. White Waste Container:

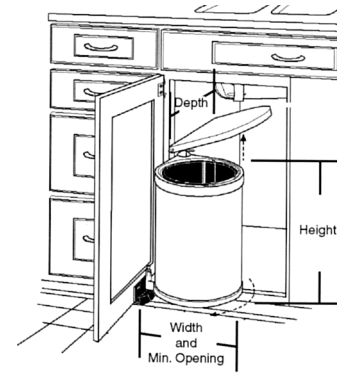
6700-61-B	9-3/8"W x 15-3/8"D x 17-7/8"H	27.37
-----------	-------------------------------	-------

REV-A-SHELF PIVOT-OUT WASTE CONTAINERS

Built-In



8-010412-15
For under kitchen or vanity sinks



White Lacquer 15 liter container. When the door is open, the lid opens and the container moves out for total accessibility. When the door is closed, the container swings back in and the lid closes automatically. Features an inner polymer container with built-in handle for easy removal.

Dimensions: 13-3/8" W x 11-7/8" D x 18-1/2" H
Minimum opening: 13-3/4"

Code	Description	List/ea
8-010412-15	Pivot-Out Waste Bin	\$ 93.44



WASTE CONTAINERS

KV

KV SLIDE-OUT WASTE CONTAINERS

Single and Double



Code	Capacity
SBM10-1	35 Qt
SBM15-1	20 Qt



Code	Capacity
PSW15-2	Two 35 Qt

The SBM Series Standard Bottom Mount-Waste & Recycling unit features medium-duty ball-bearing precision slides. Specialized wire framing holds white bins securely in place and includes a handle for easy pull-out. Pre-assembled for faster installation, the bottom-mount slides also provide stability. Unit installs easily with just four screws and can be door mounted using optional Door Bracket Kit (PDMKT1.5-1-W).

100 lbs. Load Capacity.

Code	Min. Cab Opening	Min. Int. Cab Dimensions
SBM10-1-35WH	10"	10"W x 19-5/16"H x 20-1/2"D
SBM15-1-20WH	15"	15"W x 17-13/16"H x 20-1/2"D
PSW15-2-35-W	15"	15"W x 19-5/16"H x 22-3/8"D

Code	Product Dimensions	List
SBM10-1-35WH	9-5/8"W x 18-13/16"H x 20-1/8"D	\$ 92.62
SBM15-1-20WH	14-3/8"W x 17-5/16"H x 16"D	92.00
PSW15-2-35-W	14-3/8"W x 18-3/4"H x 22-1/4"D	135.19
PDMKT1.5-1-W	Door Mount Kit (1-1/2" Cab. Frame Width)	31.04

KV ROLL-OUT RECYCLING CENTER



PRC12-2-27
Two 27 Qt. White Bins

Min. Cabinet Opening:
12"W x 19-1/4"H x 23-3/8"D
(Deduct 3/4" for face-frame installation.)

This unit has heavy duty, 1-1/2" over-travel full extension slides and 2 each 27 Qt. White plastic bins. 30 lbs. load capacity per bin, not to exceed 80 lbs. total weight. Optional Door Mount Kit: PDMKT1.5-1-W.

Code	Product Dimensions	List
PRC12-2-27-W	11-3/8"W x 19"H x 23"D	\$ 149.85
PDMKT1.5-1-W	Door Mount Kit (1-1/2" Cab. Frame Width)	31.04

KV DOOR MOUNT BRACKET KIT

Converts Slide-Out Waste Bins to Door Mount Units



PDMKT1.5-1



The Bracket design allows use with the four most common cabinet door reveals. Eliminates need for side panel behind door. Easy drop-in keyhole attachment and six-way adjustability. Reduces inventory requirements.

Code	Color	Width of Cab. Frame	List
PDMKT1.5-1-W	White	1-1/2"	\$ 31.04

16

KV

KV RECYCLING CENTER - 4 BINS



PRC24-4-27-W
Four 27 Qt. White Bins

Min. Cabinet Opening:
24"W x 19-1/2"H x 23-3/8"D

Standard Units have four White 27 Qt. plastic bins and medium duty precision ball-bearing slides. 100 lb. Load Cap, Optional Door Bracket Kit (PDMKT1.5-1-W) available.

<u>Code</u>	<u>Product Dimensions</u>	<u>List</u>
SBM24-4-27WH	23-3/8"W x 19"H x 22"D	\$ 213.85

KV SOFT-CLOSE WASTE CONTAINER

Double 35 Qt White Bins



Double pull-out waste container has a soft-closing mechanism and is meant for undermount installation.

Soft Close

- Heavy duty, undermount slide with soft-close technology
- Installs in minutes using self-aligning brackets secured with only four screws
- Aluminum side rails provide stability and conceal slide hardware
- Unique, washable, solid backsplash and floor
- Door mount bracket included

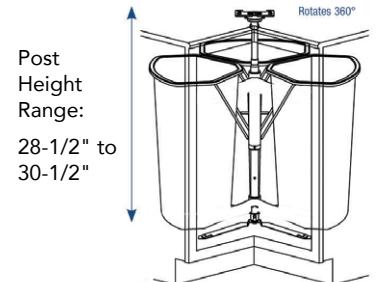
Dimensions:

14-13/16" Width x 19-3/16" Height x 22-7/16" Depth

<u>Code</u>	<u>Description</u>	<u>List</u>
USC15-2-35WH	Double 35 Qt. White Bins	\$ 281.06

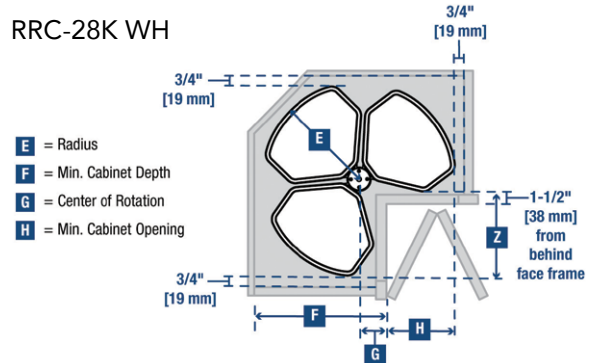
RECYCLING CENTERS

KV CORNER RECYCLING CENTER



Designed to fit a standard 36" base corner cabinet and installs quickly with 8 screws. Three removable 32-quart bins allow for in-home separating of plastics, glass, metal, etc. Bins rotate on 1" diameter post and are easily removed from cabinet. Also features "whisper" quiet bearing mechanism and positive return centering device. White in color.

RRC-28K WH



E	F	G	H	Z
13-13/16"	18-1/2"	3-15/16"	9-7/8"	12-1/8"

<u>Code</u>	<u>Overall Diameter</u>	<u>List</u>
RRC-28K WH	27-5/8"	\$ 194.81



RECYCLING CENTERS

RECYCLE CENTER - SOFT CLOSE

5BBSC Series



Soft-Close
Recycle Center

5BBSC-WMDM24-C

Recycle Center has three 25 Quart color polymer bins that allow for easy sorting of plastic, glass and metal, and contains a machine washable canvas bag for recyclable paper products. Features chrome frame and 150 lb. ball-bearing soft-close slides. Includes adjustable door mount brackets.

<u>Code</u>	<u>Dimensions</u>	<u>List</u>
5BBSC-WMDM24-C	20" W x 22-1/4" D x 20-1/4" H	\$ 345.90

ROLL OUT SHELVES

QUICK TRAY™ ROLLOUT SYSTEM

Tenn-Tex Plastics

QuikTray Support
20-1/8" length



1" Supports for Frameless Cabinetry

Rollout tray application in frameless cabinet. Concealed hinges and epoxy-coated metal-sided drawer.

Code	Color	List/bg
B520-01B	Beige	\$ 28.97
B520-00W	White	28.49



1-1/4" Supports for Face Frame Cabinetry

Face frame cabinet with low profile face frame hinges.

Code	Color	List/bg
B522-01B	Beige	\$ 25.62
B522-00W	White	25.62



2" Supports for Face Frame Cabinetry with Face Frame Adapter Baseplates

Long-arm hinge and face frame adapter baseplate application.

Code	Color	List/bg
B525-01B	Beige	\$ 41.24
B525-00W	White	37.49

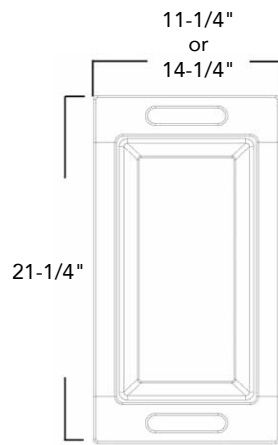
Use on faceframe or frameless cabinets and with any brand of drawer slides. Shelves can be adjusted vertically in 1-1/4" increments. Non-handed. Tool-free adjustment. 75 lb. dynamic, 150 lb. static.

Patented Hook Dowel makes installation easy: simply slide the dowel into the holes and lock into place. No tools required.

Easy tray Height Adjustment: Lift up on slide to unhook and move it to the new position.

Bag includes: 4 Supports, 8 Hook Dowels, and 8 machine screws (6-32 x 3/8).

WOVEN BASKETS WITH RAILS



Basket width only (no rails)

- Features machine washable canvas liners
- Basket secured within a natural maple frame, complete with built-in handles
- Easy four screw installation for side mount rails

Code	Width before rails are cut	Min. after rails are cut	Depth	Height
4WV-15L	14-1/2"	12-1/4"	21-1/4"	7-3/8"
4WV-18L	17-1/2"	15-1/4"	21-1/4"	7-3/8"

Code	Description	List
4WV-15L	Base 15 Woven Basket	\$ 93.42
4WV-18L	Base 18 Woven Basket	88.30

ROLL OUT SHELVES



REV-A-SHELF PREMIER COOKWARE ORGANIZER

With Soft-Close Quadro Slides



5389-21CR

Seven dividers for saucepans and lids. Basket space for large pots.



5389-33CR

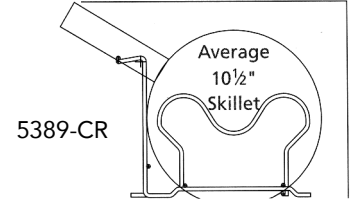
Seven dividers for saucepans and lids. Large basket space for pots. Large divided section for baking pans and other cookware. (Upper basket is a 5330 w/ divider kit not included.)

These cookware pull-outs are built from heavy-duty chrome wire. Pull-outs are coated in Crominox™, a transparent epoxy designed to provide better protection for stored items. All units can be bottom or side mounted with the full-extension, soft-close Quadro slides and include chrome plated adjustable side mount spacers for face frame and hinge clearance applications. Fully adjustable door mount brackets are included.

Available for base 24 cabinets.

Code	Width	Depth	Ht.	List/ea
5389-21CR	20-1/8"	22"	9-1/2"	\$ 313.58

DROP-IN COOKWARE ORGANIZER



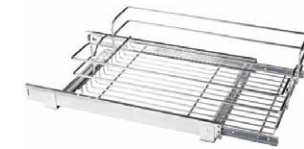
Convert disorderly drawers into fully functional storage pull-outs with the Drop-in Cookware Organizer. Flexible design fits base 24 drawer sizes and larger. Easy installation requiring just 4 screws. Heavy duty chrome wire is coated with a transparent epoxy to reduce noise.

Code	Dimensions	List/ea
5389-CR	17-1/2" W x 12" D x 8-3/4" H	\$ 108.01

SINGLE PULL-OUT CHROME BASKETS

5WB1 - Load Rating: 100 lbs.

These pull-out chrome baskets are ideal for organizing pots, pans and other bulky items. Baskets feature full-extension ball-bearing slides, Heavy-Duty Chrome plated frames, and are easy to install.



Slide units install easily with only four screws!

Code	Dimensions	Min Opening	List/ea
5WB1-0918-CR	8-3/8"W x 18"D	8-1/2"	\$ 45.83
5WB1-1218-CR*	11-3/8"W x 18"D	11-1/2"	49.00
5WB1-1220-CR*	11-3/8"W x 20"D	11-1/2"	60.39
5WB1-1520-CR*	14-3/8"W x 20"D	14-1/2"	62.23
5WB1-1222-CR	11-3/8"W x 22"D	11-1/2"	61.05
5WB1-1522-CR	14-3/8"W x 22"D	14-1/2"	67.67
5WB1-1822-CR	17-3/8"W x 22"D	17-1/2"	73.57
5WB1-2122-CR	20-3/8"W x 22"D	20-1/2"	81.37
5WB-DMKIT	Door Mount Kit 5WB Series		27.99

* Special Order



TWO TIER PULL-OUT CHROME BASKETS

5WB2 - Load Rating: 100 lbs.



Double Basket has full-extension, ball-bearing slides and chrome plated baskets. To install, simply mount the bottom bracket to the cabinet floor, then attach the upper bracket using the back of the cabinet and face frame.

Available in 18" or 22" slides and four widths to fit in kitchens, bath and laundry. All units 19" Height.

With 18" Slides

Code	Size	Width x Depth	List
5WB2-0918-CR	9"	8-3/4" W x 18" D	\$ 103.04
5WB2-1218-CR	12"	11-3/4" W x 18" D	113.82

With 22" Slides

Code	Size	Width x Depth	List
5WB2-1222-CR	12"	11-3/4" W x 22" D	\$ 127.44
5WB2-1522-CR	15"	14-3/4" W x 22" D	130.29
5WB2-1822-CR	18"	17-3/4" W x 22" D	141.56
5WB2-2122-CR	21"	20-3/4" W x 22" D	153.20

Door Mount Kit

Code	Description	List
5WB-DMKIT	Door Mount Kit 5WB Series	\$ 27.99

PREMIER PULL-OUT SHELVES

5730 Series



5730 Series available bottom mount, side mount or door mount.

Side Mount Dimensions:

Code	Description	Width Min.	Width Max.
5730-15CR	15" Pull-out	14-5/16"	16-11/16"
5730-21CR	21" Pull-out	20-5/16"	22-11/16"
5730-33CR	33" Pull-out	32-3/8"	34-3/4"

Premier Pull-out Shelves to organize all your cooking essentials. Features full-extension undermount soft-close slides as well as adjustable mounting brackets that enable you to affix the unit to the floor or walls of the cabinet. Door mount brackets also included, allowing up to five inches of flexibility for easy installation on any door style. Chrome finish.

Code	Dimensions	List
5730-15CR	15" W x 21-3/4" D x 5-5/8" H	\$ 192.09
5730-21CR	21" W x 21-3/4" D x 5-5/8" H	212.03
5730-33CR	33" W x 21-3/4" D x 5-5/8" H	233.09

ROLL OUT SHELVES

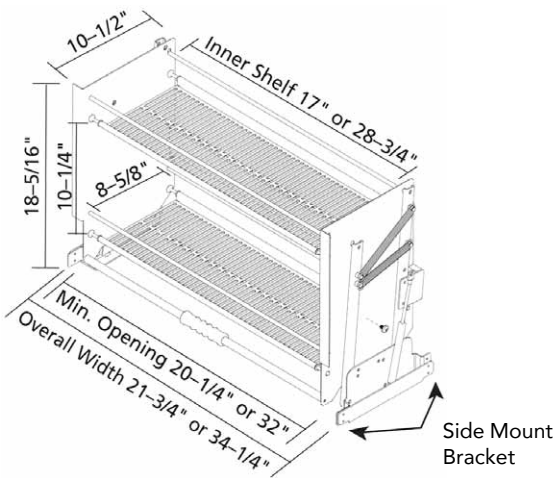


REV-A-SHELF PULL-DOWN SHELVING SYSTEM



5PD-24CR
or
5PD-36CR

Minimum Inside Cabinet Width
Bottom Mount 22-3/8"
or 34-1/4"
Side Mount 22-3/16" or 34"



Rev-A-Shelf's pull down shelving system can bring top shelf items to your fingertips. Available for wall 24 and 36 cabinets. Both sizes lower hard-to-reach items 11-1/2" while pulling out 16-3/4" from the cabinet. Unique gas assisted lifting/lowering mechanism provides unparalleled stability through the entire range of motion. Side and bottom mount brackets are included.

TWO-TIER COOKWARE ORGANIZER

5CW2 Series



5CW2-1222-CR
Top Tier Storage for up to 7 lids. Bottom Tier can store a variety of pots and pans.

Min Opening: 11-1/2"

Adjustable Dividers

5CW2-1222-CR



5CW2-2122-CR
Top Tier Storage for up to 14 lids. Bottom Tier can store a variety of pots and pans.

Min Opening: 20-1/2"

Adjustable Dividers

5CW2-2122-CR

The 5CW2 features independently operating shelves. The top tier organizes lids and the bottom tier features adjustable dividers to store a variety of large pots and pans. Made with a heavy-duty chrome plated wire frame.

Glides on 100 lb. rated full-extension ball-bearing slides. The bottom, side, and rear mounting provides stability. Installs easily. Door mounting is also an option with the RV Series Door Mounting Kit. Available in two sizes.

16

5PD-24CR For Wall 24" Cabinets
5PD-36CR For Wall 36" Cabinets

Minimum Inside Cabinet Width:

	5PD-24CR	5PD-36CR	
Bottom Mount	22-3/8"	34-1/4"	
Side Mount	22-3/16"	34"	
<u>Code</u>	<u>Min. Opening</u>		<u>List</u>
5PD-24CR	20-1/4"W x 10-1/2"D x 18-5/16"H		\$ 398.17
5PD-36CR	32"W x 10-1/2"D x 18-5/16"H		419.10

<u>Code</u>	<u>Dimensions</u>	<u>List</u>
5CW2-1222-CR	11.75"W x 22"D x 18"H	\$ 135.12
5CW2-2122-CR	20.75"W x 22"D x 18-1/8"H	246.33
RV-DM17-KIT	Door Mount Kit (Silver)	29.97

KITCHEN STORAGE

Glideware

CABINET ORGANIZERS



- 7 Fully adjustable/removable hooks
- Solid, clear Maple body



W22-BC-7 Undermount Glides



W22-SC-7 Side Mount Glides



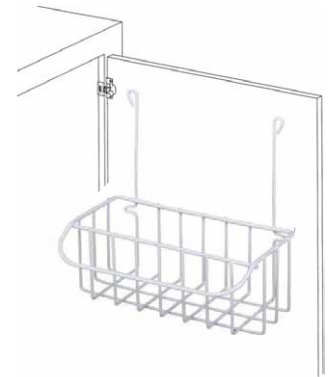
Made in USA

- Available with either side mount slides or undermount slides
- **Handcrafted:** Solid, clear Maple body. Made in the USA
- **Heavy Duty:** Designed to accommodate heavy cookware up to 100 lbs.
- **Accessible:** Fully extends out of the cabinet
- 7 hooks on each unit are fully adjustable and removable to accommodate any shape or size of cookware. Hooks and glides made from zinc.

Code	Description	List/ea
W22-SC-7	Glideware w/ 22" Side Mount Slide	\$ 266.67
W22-BC-7	Glideware w/ 22" Undermount Slide	350.00

KV/FEENY UTILITY RACK

Keeps often used cleaning supplies within easy reach. Designed with long stems to screw into door frame. Depth: 6". White finish.



Code	Height	Width	List/ea
UT-9WH	10"	9-5/8"	\$ 31.04

KV/FEENY MULTI-USE ROLL-OUT



Sturdy, large-capacity baskets can be used for any storage need. Clips easily to ball-bearing slides and is removable. Depth: 18-7/8". White finish.

Code	Height	Width*	List/ea
MU-11WH	5"	11-3/4"	\$ 58.25
MU-14WH	5"	14-3/4"	55.47

* Deduct 3/4" for face-frame cabinets.

KV/FEENY VEGETABLE BIN ASSEMBLY

Self-contained three-tier basket system is ready to mount to cabinet floor. Ideal for storing vegetables, linens, etc. Baskets slide out in coated steel channels. Depth: 21-3/8". White Finish.



Code	Height	Width	List/ea
VBA14-3WH	19-3/4"	14"	\$ 173.44



KITCHEN STORAGE



**REV-A-SHELF
DOOR STORAGE SYSTEM**

Trays and standards are ordered separately. Standards allow 1" adjustments. Trays are 4" D x 2-1/2" H in front and 3-9/16" H in rear. Trays are white polymer and come with screw-in clips. Standards are bright aluminum and come with shelf clips.

Available in two or five tray sets.
Available in three lengths.



2-Shelf Kit with Screw-In Clips

Code	Width	List/st
6232-08-11-52	7-7/8"	\$ 19.94
6232-14-11-52	13-3/4"	21.55

5-Shelf Kit with Screw-In Clips

Code	Width	List/st
6235-08-11-52	7-7/8"	\$ 47.44
6235-14-11-52	13-3/4"	51.16
6235-20-11-52	19-3/4"	62.18

Two standards with screws, mounting clamps and shelf clips

Code	Size	List/pr
6232-26-4528-52	26"	\$ 37.77
6232-58-4528-52	58"	52.76

Extra Clips
for Door Storage System

Code	Ctn	List/ea
6231-41-4101	100 ea.	\$ 1.61



**REV-A-SHELF
WOOD DOOR
STORAGE TRAYS**

4235-14-5 tray shown with included screw-in clips.



Birch/Maple wood trays with chrome accents are easily installed with included screw-in clips. Trays can also be mounted to 26" or 58" standards. (sold separately).

Dimensions

14" Wood Tray:
13-3/4" W x 4-1/4" D x 3-5/8" H

20" Wood Tray :
19-3/4" W x 4-1/4" D x 3-5/8" H



Packed 5 trays per carton. Sold per each Tray.

Code	Description	List/ea
4235-14-5	14" Wood Tray	\$ 26.28
4235-20-5	20" Wood Tray	30.30

Two standards with screws, mounting clamps and shelf clips. Can be used for above storage trays.

Code	Size	List/pr
6232-26-4528-52	26"	\$ 37.77
6232-58-4528-52	58"	52.76

KITCHEN STORAGE

FEENY STAIR-STEP SHELF

Expands in Width



Instantly organizes small items.
Durable white plastic construction.
Expands from 14" to 27" without tools.

<u>Code</u>	<u>Color</u>	<u>Height</u>	<u>Depth</u>	<u>List/ea</u>
SS1427-WH	White	4-1/8"	8"	\$ 22.22

KV COOKBOOK RACK

UCCB

Keep cookbooks at eye level, up and out of workspace and spills. Clear acrylic platform with zinc plated hinge brackets and springs. Pre-assembled. Easy installation. Fasteners supplied.



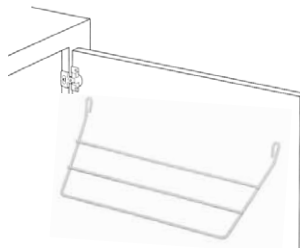
UCCB

3" H x 19-3/4" W x 10-1/2" D (folded), Hangs down 10-1/2", 1/4" min. clearance on all sides.

<u>Code</u>	<u>Description</u>	<u>List/ea</u>
UCCB	Cookbook Rack	\$ 120.39

KV/FEENY TOWEL RACK

Durable white epoxy coated rack keeps cloths and towels close at hand, while providing out-of-the-way storage.
Depth: 4-1/2"



<u>Code</u>	<u>Color</u>	<u>Height</u>	<u>Width</u>	<u>List/ea</u>
TB-WH	White	6-1/4"	12-3/8"	\$ 11.00

REV-A-SHELF TOWEL RACK

563-32

Available in White or Chrome.

Stores up to 3 dish towels.



12-3/4" Width x 3-1/2" Depth x 6-1/2" Height

<u>Code</u>	<u>Description</u>	<u>List/ea</u>
563-32	White Towel Rack	\$ 4.58
563-32CR	Chrome Towel Rack	4.95

KV SLIDING TOWEL RACKS



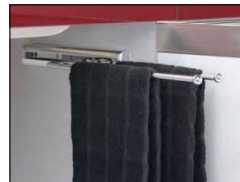
Towel Racks mount to side of cabinet and slide out for access to towels; retract to hide, leaving kitchen uncluttered. 1 per bx.

<u>Code</u>	<u>Description</u>	<u>List/ea</u>
793	3 Bars, Side Mount	\$ 46.52

REV-A-SHELF TOWEL RACKS

3 Prong - Chrome or White

2 Prong - Chrome



- Stores up to 2 towels
- Features a ball-bearing slide
- Easy 4 screw installation
- Left or Right hand mounting

- Slides out of the cabinet 12" and stores up to 3 towels
- White or Chrome finish
- Universal brackets for Left or Right hand mounting
- Includes spacers for face frame installation

<u>Code</u>	<u>Description</u>	<u>List/ea</u>
563-47	White 3 Prong Towel Bar	\$ 23.78
563-47C	Chrome 3 Prong Towel Bar	26.26
563-51C	Chrome 2 Prong Towel Bar	17.46

KITCHEN STORAGE



REV-A-SHELF BREAD DRAWER COVER KIT



BDC-200



Bread drawer Cover Kits contain a one-piece cover with molded-in handle and rear stop, one pair of adjustable sliding rails and mounting screws. Can be trimmed to accommodate any drawer dimension. Available in two sizes.

BDC24-20

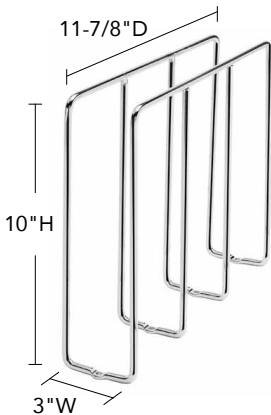


Code	Min. Drawer Size
BDC-200-20	11-5/8" x Any Length
BDC-200-11	11-5/8" x Any Length
BDC24-20	16-1/16" x Any Length

Code	Max Size	Color	List/ea
BDC-200-20	16-3/4"W x 21-3/4"L	Clear	\$ 48.43
BDC-200-11	16-3/4"W x 21-3/4"L	White	27.50
BDC24-20	20-1/8"W x 21-3/4"L	Clear	49.01

U-SHAPED TRAY DIVIDER

596-10CR-52

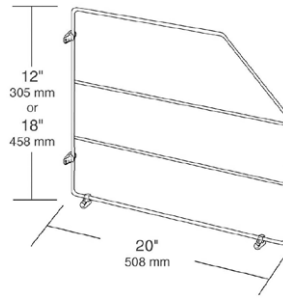


U-shaped, chrome finished tray divider has a simple bottom mount, four screw installation. Use one or more to create custom storage space.

Code	Dimensions	List
596-10CR-52	3"W x 11-7/8"D x 10"H	\$ 17.51

TRAY DIVIDER WITH CLIPS

597 Series



Tray dividers include screw-in clips and fasteners. Available in white or chrome, in 12" and 18" Heights.

Width: 3/4". Pack: 10/box with fasteners.

Code	Color	Height	Depth	List/ea
597-12	White	12"	20"	\$ 6.45
597-18	White	18"	20"	6.94
597-12CR	Chrome	12"	20"	9.17
597-18CR	Chrome	18"	20"	10.03

SPARE CLIPS FOR 597 TRAY DIVIDER

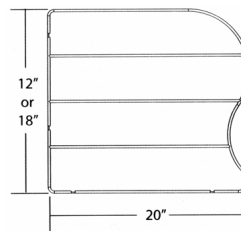


Pack: 4 clips and screws per bag, 10 bags per carton.

Code	Color	Use for:	List/bg
209-26-99CR	Chrome	597-12CR, 18CR	\$ 2.43
209-26-99WH	White	597-12, 18	2.52

CHROME TRAY DIVIDER

LD-597 Series



Heavy Duty chrome wire dividers screw directly into cabinet back and bottom. Available in 12" and 18" Heights.

Pack: 10 each/box.

Code	Height	Depth	List/ea
LD-597-12CR	12"	20"	\$ 9.26
LD-597-18CR	18"	20"	10.01



KITCHEN STORAGE

TRAY DIVIDER / FOIL WRAP HOLDER

447 Series



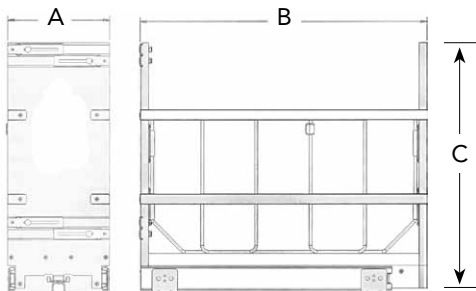
447-BC-5C



447-BCSC-8C

Designed for 9" and 12" base cabinets. Two compartments for storing baking sheets and platters and removable center divider allows for larger platters/ bakeware if desired. Door mount brackets provide up to 5" of adjustability for easy installation. T-Bar divider included to hold taller items in place. Available in non soft-close and full extension, Blum Soft-Close slides.

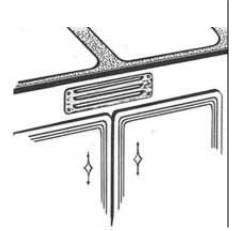
Code	Width (A)	Depth (B)	Height (C)
447-BC-5C	5"	22.44"	19.5"
447-BC-8C	8"	22.44"	19.5"
447-BCSC-5C	5"	21.5"	19.5"
447-BCSC-8C	8"	21.5"	19.5"



Code	Description	List/ea
447-BC-5C	5" Tray Divider w/ full-ext, 100 lb. 'Tri-Slides'	\$ 161.13
447-BC-8C	8" Tray Divider w/ full-ext, 100 lb. 'Tri-Slides'	213.14
447-BCSC-5C	5" Tray Divider w/ Blum Soft-Close Slides	230.36
447-BCSC-8C	8" Tray Divider w/ Blum Soft-Close Slides	265.29

CABINET VENTILATING LOUVERS

Washington Products



For apron above sink door. Outside dimensions: 10-7/16" x 2-7/8". Cut-Out dimensions: 9" x 2-1/2". 12 per box.

Code	Finish	List/ea
12-26	Bright Chrome	\$ 10.58

UNDERSINK

UNDERSINK U-SHAPED PULL-OUT

Soft Close, Full Extension Slides



- Unique U-Shaped frame fits around obtrusive plumbing
- Soft-close, full-extension slides
- Provides easy access to stored items
- Bottom and side mount brackets included

Code	Description	List/ea
5786-33CR	Undersink Pull-Out w/ Soft Close 32-1/2" -34-3/4"W x 22"D x 5-1/4"H	\$ 211.91

KV/FEENY UNDERSINK BASKETS

Use all of the space around your plumbing efficiently. Units are mounted on ball-bearing slides and feature removable top baskets. Depth: 18-7/8"



USB-11, USB-14

USB has carrier handle welded to base basket which allows taller items to be stored under removable top basket.

USB-TM has top basket that clips directly to base basket.

16 Either basket can be installed to avoid plumbing pipes on the right or left side. Quality constructed unit mounts to cabinet floor using four screws.



USB-11TM, USB-14TM

White Finish.

Code	Height	Width*	List/ea
USB-11WH	15-1/4"	11-3/4"	\$ 85.53
USB-14WH	15-1/4"	14-3/4"	94.78
USB-11TMWH	10-1/4"	11-3/4"	68.82
USB-14TMWH	10-1/4"	14-3/4"	71.42

* Deduct 3/4" for face-frame cabinet.

REV-A-SHELF UNDERSINK CHROME BASKETS

544 Series

- Store multiple cleaning items in removable caddy
- Unique handle adjusts to accommodate plumbing fixtures
- Reversible/Removable top tray ideal for paper towels or sponge storage



Handle adjusts left/right for undersink pipes.



544-10C-1

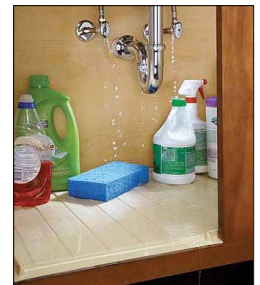
Removable caddy allows you to take cleaning items with you and the added bottom bumpers provide stability and protect surfaces from marring.

Code	Dimensions	List/ea
544-10C-1	11-1/4"W x 16-1/4"D x 19-1/2"H	\$ 72.94

DRIP TRAY
SBDT Series



- Tray holds 1.77 Quarts of water
- Designed to protect from minor drips and leaks
- Trimmable to fit 31-1/2" width
- Easy wipe clean
- Unique front gravity design
- Constructed from Hi Impact Polystyrene



Protects the bottom of your cabinet by holding water, the tray actually funnels excessive water to the front of your cabinet and out onto the floor alerting you of the leak. Designed for installation in 36" sink base cabinet construction, it can be cut down to fit a 33" cabinet, and the sleek surface makes for easy clean up. Almond in color.

Code	Dimensions	List/ea
SBDT-3336-A-1	34-1/2"W x 23-1/4"D x 3/4"H	\$ 56.72

SINK FRONT TRAYS

KV

KV/FEENY SINK FRONT TRAYS

Stainless Steel



Back Height: 3"
Depth: 2"

Stainless Steel tray turns wasted space into storage space. Has a built-in stop that prevents articles from tipping out. With Stops. Designed for use with standard self-closing hinges used in most cabinetry.

Pack: 10 each/box.

Code	Width	List/ea	Code	Width	List/ea
SF-10	10"	\$ 15.21	SF-19	19"	\$ 17.97
SF-11	11"	15.57	SF-22	22"	18.31
SF-13	13"	15.29	SF-25	25"	20.52
SF-14	14"	17.16	SF-28	28"	21.53
SF-16	16"	16.40	SF-31	31"	20.87

KV/FEENY SINK FRONT TRAYS

Epoxy Coated



Back Height: 3"
Depth: 2"

Epoxy-coated steel trays allow extra storage space behind false front boards. Height: 3". Depth: 2". Stop extends 1/2". Designed for use with standard self-closing hinges used in most cabinetry.

Pack: 10 each/box.

Code	Width	List/ea
ESF-10WH	10"	\$ 12.38
ESF-13WH	13"	12.82
ESF-14WH	14"	15.47
ESF-16WH	16"	16.29
ESF-19WH	19"	20.10
ESF-22WH	22"	18.37
ESF-25WH	25"	18.70
ESF-28WH	28"	21.57
ESF-31WH	31"	22.54

KV/FEENY SINK FRONT TRAYS WITHOUT STOPS

White Epoxy Coated

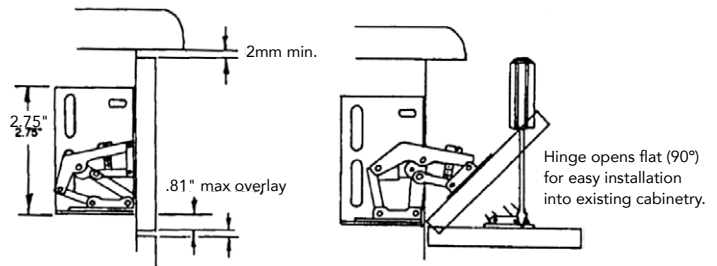


Epoxy-coated steel trays allow extra storage space behind false front boards. Height: 3". Depth: 2". No stops. Designed for use with standard self-closing hinges used in most cabinetry. Pack: 10 each/box.

Code	Width	List/ea
ESF-13WH-NT	13"	\$ 14.40
ESF-22WH-NT	22"	18.15
ESF-28WH-NT	28"	21.05

KV/FEENY SINK FRONT TRAY HINGES

For use with sink front trays as well as with concealed breadboards. Adjustment screws allows any opening angle from 45° - 90°. Ht: 2-3/4", Depth: 2", Width: 4" per pair.



Code	Description	List/pr
ET-H N	Nickel Euro hinges for sink front trays	\$ 12.60

KV/FEENY SCISSOR HINGES

Spring-loaded, self-closing concealed hinge fits both frame or frameless cabinet applications. Hinges open smoothly even when pulled from one end. Slots provided for adjustments. Mounting holes for both 32mm and frame installations.



Zinc Plated. Pack: 10 pr/Ctn. with screws.

Code	Dimensions	List/pr
SH	3-3/4" H x 3/4" W x 1-3/4" D	\$ 10.04

SINK FRONT TRAYS

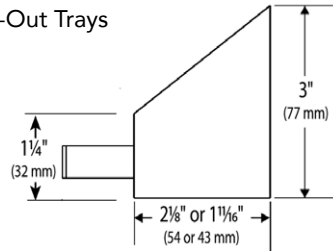


REV-A-SHELF SINK FRONT TRAYS

Stainless Steel



Regular and Slim Series Stainless Steel Tip-Out Trays



- Slim Series designed to accommodate minimum clearance openings for large sink applications
- Available in sizes ranging from 10" to 31"
- Hinges ordered separately - see next column



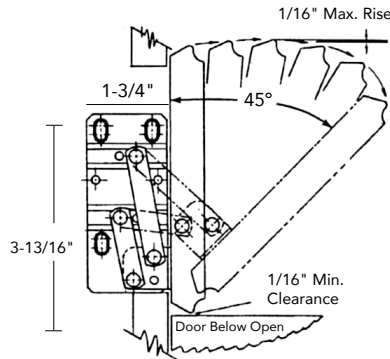
Pack: 20 each/box. Order hinges separately.
Regular Stainless Steel Trays, Depth = 2-1/8"

Code	Size (Width)	List/ea
6581-10-5	10"	\$ 13.87
6581-11-5	11-1/4"	14.49
6581-13-5	13"	14.12
6581-14-5	14-1/4"	14.41
6581-16-5	16"	14.49
6581-19-5	19"	15.61
6581-22-5	22"	16.72
6581-25-5	25"	18.09
6581-28-5	28"	18.95
6581-31-5	31"	19.20

Slim Stainless Steel Trays, Depth = 1-11/16"

Code	Size (Width)	List/ea
6541-11-5	11-1/4"	\$ 14.12
6541-13-5	13"	14.37
6541-14-5	14-1/4"	14.49
6541-16-5	16"	14.49
6541-19-5	19"	15.61
6541-22-5	22"	16.72
6541-25-5	25"	18.09
6541-28-5	28"	18.95
6541-31-5	31"	19.20

HINGES FOR SINK FRONT TRAYS

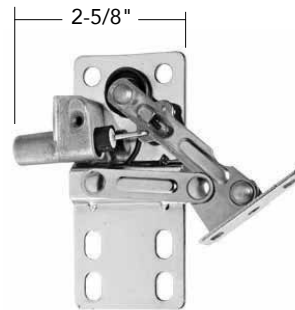


Unique self-closing spring tip to keep false fronts securely closed

Patented hinges allow the panel to pull out and tip open for full accessibility. Less than 2mm needed for tight clearance of full overlay doors. Hinges mount easily to frame and frameless construction and offer concealed and self-closing features.

Code	Dimensions	Ctn	List/pr
6552-95-0220	1" W x 1-3/4" D x 3-13/16" H	40 pr	\$ 6.07

SOFT CLOSE HINGES FOR SINK FRONT TRAYS



LD-0220-50SC
Soft Close

- Works with all Rev-A-Shelf tip-out trays
- Soft-close piston eliminates slamming
- The 50° opening allows complete access
- Spring for self close and stay close action
- Stiffening ribs eliminate side play
- Nickel finish

Code	Dimensions	Ctn	List/pr
LD-0220-50SC	1" W x 2-5/8" D x 3-7/8" H	5 pr	\$ 13.12



SINK FRONT TRAYS

REV-A-SHELF POLYMER SINK FRONT TRAYS



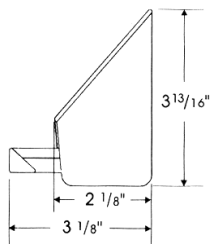
Available in white or almond.

Depth: 2-1/8" overall.
Back Height: 3-13/16".

Polymer Trays WITHOUT Hinges Pack: 40 ea/Ctn.
Sold per each.

Code	Size	Color	List/ea
6581-11-11-4	11"	White	\$ 5.08
6581-14-11-4	14"	White	5.08
6581-14-15-4	14"	Almond	5.08

REV-A-SHELF POLYMER TRAYS WITH TAB STOPS

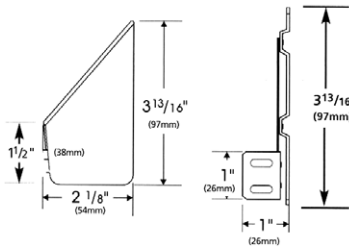
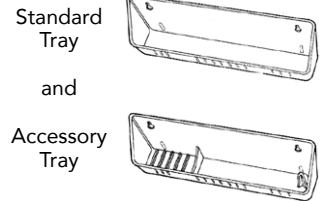


Tabs are engineered to resist twice the force of other trays with tab stops before breaking. Designed for use with standard self-closing hinges used in most cabinetry. Sold per each.

Code	Description	Ctn	List/ea
6561-11-11-4	11", White w/ Stops	40 ea.	\$ 4.95
6561-14-11-4	14", White w/ Stops	40	4.95

6572 SERIES SINK FRONT 2 TRAY SET

One Standard Tray / One Accessory Tray



Two pairs of hinges included



Accessory Tray includes Ring Post

The 6572 Series includes one conventional open tray, one accessory tray with ring holder and soap dish and two pairs of hinges. Made of high-impact polystyrene. White in color. 1 set/bx.

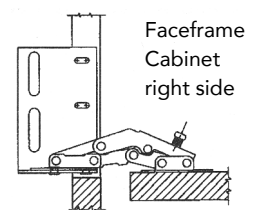
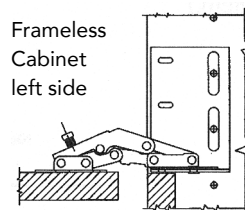
Depth: 2-1/8". Back Height: 3-13/16".

Code	Description	Ctn	List/st
6572-11-11-52	White, 11" Wide	1 set	\$ 23.90
6572-14-11-52	White, 14" Wide	1 set	24.15

EURO-TRAY HINGE FOR LONG FALSE FRONT TRAYS

6552-ETH-10

The Euro hinge is designed for long sink front or cooktop false panels in frameless or framed cabinet applications. The opening can be adjusted from 45° to 90°. Chrome plating allows for installation in any application.



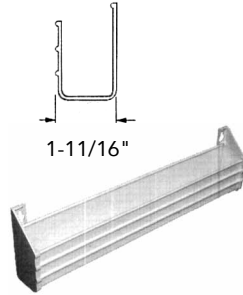
Code	Description	Ctn	List/pr
6552-ETH-10	Euro-Tray hinge	10 pr.	\$ 8.21



SINK FRONT TRAYS

REV-A-SHELF SLIM SERIES

Sink front trays for Minimum clearance applications



The Slim Series polymer trays are designed to fit solid surface countertop and large sink applications. 36" trays can be cut to size. One pair of hinges and end caps are included. White finish.

36" W x 1-11/16" D x 3-15/16" H

Code	Description	Ctn	List/ea
6541-36-11-50	White Tray, End Caps, 1 pr. hinges	1 set	\$ 23.66



36" Trays Only:

Code	Ctn	List/ea
6541-36-11-4	20 ea	\$ 13.13

HINGES AND END CAPS

For Slim Trays

Two hinges and two end caps per bag. Use with the 6541-36 Slim Trays shown above.

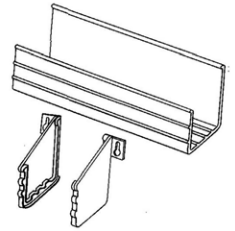


Code	Description	Ctn	List/bg
6542-97-11-4	Hinges/End Caps	40 bgs	\$ 13.00

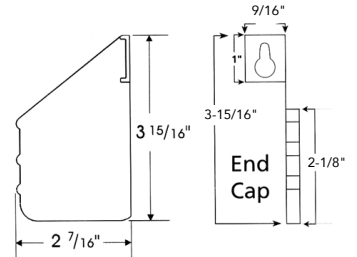


REV-A-SHELF SINK FRONT TRAYS

36" or 72" - Cut To Size!



Cut to size sink front trays in 3' or 6' lengths.
Depth: 2-7/16".
Back Height: 3-15/16".



36" Lengths - Single Pack

Packed one set per box. Each set includes 1 ea. 36" tray, 2 pr. hinges and 2 pr. end caps.

Code	Size	Color	List/st
6551-36-11-52	36"	White	\$ 36.04
6551-36-15-52	36"	Almond	36.04

36" Lengths - Bulk Pack

20 sets per carton. Each set includes 1 ea. 36" tray, 1 pr. hinges and 1 pr. end caps. Trays individually polybagged. Sold in full cartons only.

Code	Size	Color	List/st
6551-36-11-599	36"	White	\$ 24.03

72" Lengths - Bulk Pack

20 ea. 72" trays per carton. Hinges and endcaps must be ordered separately.

Code	Size	Color	List/ea
6571-72-11-4	72"	White	\$ 27.14
6571-72-15-4	72"	Almond	27.50

HINGES AND END CAPS

Two hinges, two endcaps and a packet of glue per polybag.



Code	Color	Ctn	List/bg
6552-97-11-4	White	40 bgs	\$ 11.38
6552-97-15-4	Almond	40	11.39

SINK FRONT TRAYS

HINGES ONLY for Sink Front Trays



Code	Ctn	List/pr
6552-95-0220	40 pr	\$ 6.07

END CAPS/SCREWS ONLY



Code	Color	Ctn	List/pr
ST-97-11-4	White	40 pr	\$ 6.44
ST-97-15-4	Almond	40	6.44

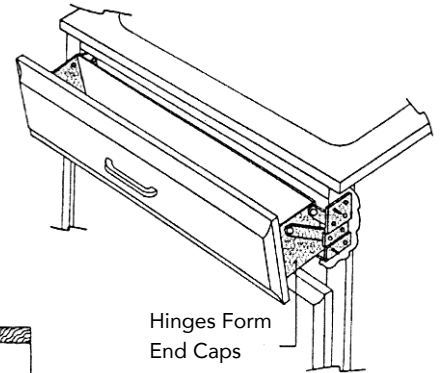
GLUE ONLY

2 Grams Adhesive

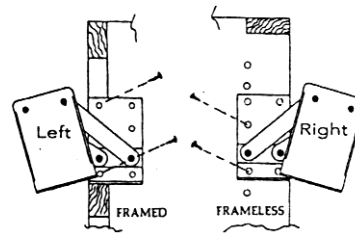


Code	Ctn	List/ea
6571-60	10	\$ 5.08

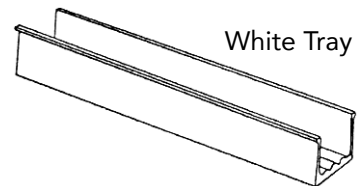
VOGT SINK FRONT TRAY AND HINGES



Hinges Form End Caps



Hinges Form End-Caps - Saves Time



White Tray

Designed to install in framed or frameless cabinets. Rigid plastic tray may be cut to fit any width cabinet. Bottom of tray is ribbed to aid drying of contents. White Tray may be easily and quickly removed for cleaning.

Hinge mechanism incorporates out-stop and tray end support bracket. Hardware is completely hidden when sink front is in closed position. Self-closing and stay-closed features. Screws included (FHPH #7x7/16").

Code	Description	Ctn	List
94-72WH	72" White Tray	10 ea.	\$ 35.19/ea
96-WH	Hinges for Sink Front Tray	20 pr.	18.45/pr
96-94S-WH	Kit*	1 ea.	34.36/kit

* Kit includes one white 34" tray, one pair of hinges, screws and instructions.



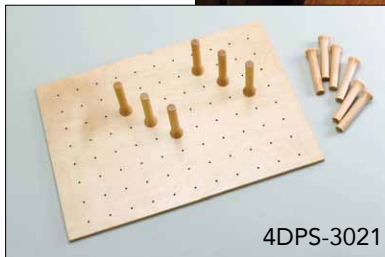
DRAWER DIVIDERS

DRAWER PEG SYSTEM

4DPS Series



4DPS-3921



4DPS-3021

Create instant storage for organizing all kinds of items, from dinner plates to plastic containers with dividers for your drawers. The 4DPS board can be trimmed to size and is available in three sizes to fit cabinets from 36", 39" and 42" (4DPS-3921), 30" and 33" cabinets (4DPS-3021) and 27" and smaller (4DPS-2421).

The width of the board is maximized to fit the largest cabinet drawers with undermount slides, is constructed from UV-Cured maple and comes with matching, push-in pegs. Peg Board only available Special Order (4DPB) - Call for price.

Small Drawer Peg System (9 Pegs)

Code	Dimensions	List/st
4DPS-2421	24-1/4"W x 21-1/4"D x 6-5/8"H	\$ 62.89

Medium Drawer Peg System (12 Pegs)

4DPS-3021	30-1/4"W x 21-1/4"D x 6-5/8"H	70.18
-----------	-------------------------------	-------

Large Drawer Peg System (16 Pegs)

4DPS-3921	39-1/4"W x 21-1/4"D x 6-5/8"H	91.03
-----------	-------------------------------	-------

Additional Pegs - Must order in increments of 4

Code	Description	List/each peg
4DPSPEG-4	4 ea. pegs/box	5.70

POT/PAN & LID ORGANIZER FOR DRAWERS

For Drawer Pegboards



Easy Press-in installation



Designed for use with 4DPS Pegboards

5DCD-1-CR Pot/Pan Organizer - Adjustable

Pot and pan rack for deep drawers. Chrome rack features complete adjustability to keep multiple sizes of cookware organized.

Created to use in combination with 5DLD-1-CR lid organizer, the rack holds up to five pots and pans and features a trimmable handle rest.



5DLD-1-CR Lid Organizer

Chrome lid organizer for deep drawers. Designed to work with the 4DPS peg board, this easy press-in rack keeps up to six lids organized, in reach, and when used in combination with our 5DCD-1-CR pot and pan holder you have a complete cooking station at your fingertips.



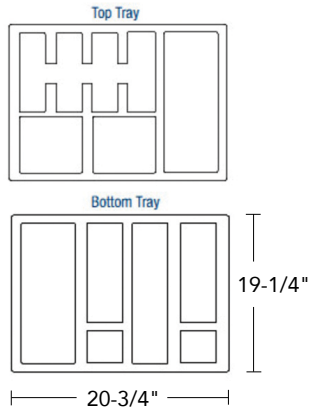
Organizers designed for use with these peg boards:

- 4DPS (Peg board system)
- 4DPB (Wood Peg board only - Special Order)
- 4DPBG (Vinyl Peg Board only - Special Order)

Code	Description	List/ea
5DCD-1-CR	Chrome Adjustable Pot/Pan Organizer for drawer pegboards	\$ 24.15
5DLD-1-CR	Chrome Lid Organizer for drawer pegboards	18.82

DRAWER DIVIDERS

KV/FEENY DOUBLE TIERED DRAWER INSERTS



2075WH

Efficient divided storage for all kitchen items. Top tier slides back to reveal lower level of space. Both components are made of easy-to-clean styrene. Requires only 3-1/2" minimum height clearance and 17-1/4" minimum interior drawer length.

Code	Width	Color	List/ea
2075WH	18-1/4" to 20-3/4"	White	\$ 123.89

TRIMMABLE KNIFE BLOCK INSERT



4WKB-1
18-1/2" W x 22" D x 2-3/8" H



Knife Block Tray Insert has 19 slots to store knives and a separate compartment for other utensils. Simple drop-in installation. Made of birch/maple hardwood with a UV-cured clear finish. Can be trimmed to fit drawers of various widths and lengths.

Code	Description	List/ea
4WKB-1	Trimmable Knife Block	\$ 61.92

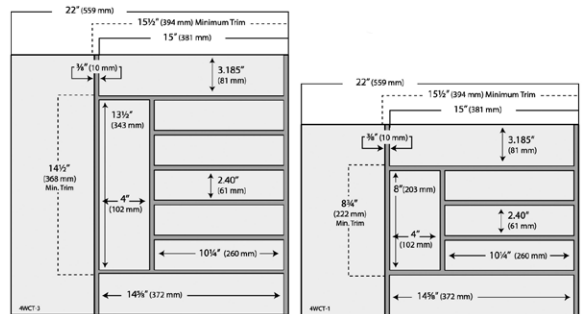
CUTLERY TRAYS

WOOD CUTLERY TRAY INSERT



- Made of Maple Hardwood
- Simple Drop-in Installation
- Available in two sizes that may be trimmed to fit various drawer sizes

Height: 2-7/8"



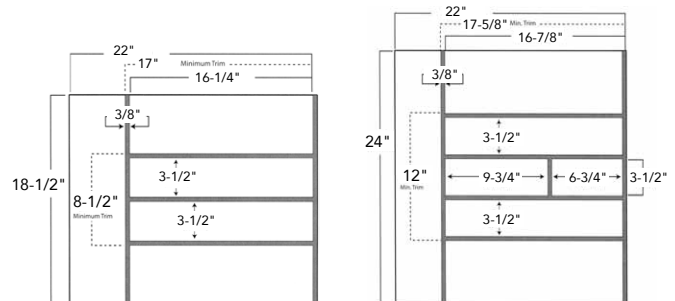
4WCT-3

4WCT-1

Code	Size	List/ea
4WCT-1	14-5/8" W x 22" D x 2-7/8" H trimmable to 8-3/4" W x 15-1/2" D	\$ 41.00
4WCT-3	20-5/8" W x 22" D x 2-7/8" H trimmable to 14-1/4" W x 15-1/2" D	53.88

WOOD UTILITY TRAY INSERT

Birch/Maple with a UV-cured clear finish. Trimmable.



4WUT-1

4WUT-3

Code	Size	List/ea
4WUT-1	18-1/2" W x 22" D x 2-7/8" H	\$ 41.00
4WUT-3	24" W x 22" D x 2-7/8" H	53.88



DRAWER DIVIDERS



TWO TIERED CUTLERY DRAWERS

4WTCD Series



Available for 15", 18", 21" and 24" base cabinets

Pre-assembled drawer box



4WTCD-18

This unique design provides two tiers for double the storage capacity in a pre-assembled drawer box. For use with 3/4" material undermounts (i.e. King Slides).

Designed for typical 1-1/2" Face Frame Construction only.

Minimum Cabinet Openings

<u>Code</u>	<u>Width</u>	<u>Height</u>
4WTCD-15	12"	4-1/2"
4WTCD-18	15"	4-1/2"
4WTCD-21	18"	4-1/2"
4WTCD-24	21"	4-1/2"

Two-Tiered Cutlery Drawer: All 21" Depth, 3-3/4" Height

<u>Code</u>	<u>Description</u>	<u>Width</u>	<u>List/ea</u>
4WTCD-15	For 15" Cabinet	11-1/2"	\$ 126.82
4WTCD-18	For 18" Cabinet	14-1/2"	152.70
4WTCD-21	For 21" Cabinet	17-1/2"	191.41
4WTCD-24	For 24" Cabinet	20-1/2"	178.59

WOOD DIVIDER

4WD Series



Wood Divider
4WD-22

Allows you to combine various drawer inserts for easy organization of utensils and silverware. Use with 4WCT, 4WUT, 4WKB and 4SDI Series inserts. Made of maple hardwood with a UV-Cured clear finish. Trim to fit.

<u>Code</u>	<u>Dimensions</u>	<u>List/ea</u>
4WD-22	1/2" W x 22" D x 2-7/8" H	\$ 11.88



CUTLERY TRAYS

REV-A-SHELF UTILITY TRAYS



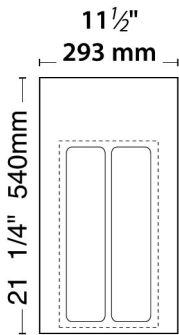
- Available in 4 styles and 4 sizes
- Made of high impact rubberized textured polystyrene
- Easy trimming to fit cabinet drawer size
- Height: 2-3/8"

REV-A-SHELF CUTLERY TRAYS



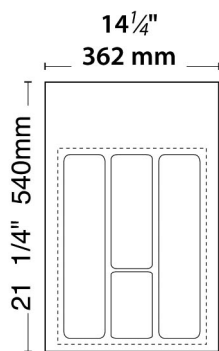
- Available in 4 styles and 4 sizes
- Made of high impact rubberized textured polystyrene
- Easy trimming to fit cabinet drawer size
- Height: 2-3/8"

UT10



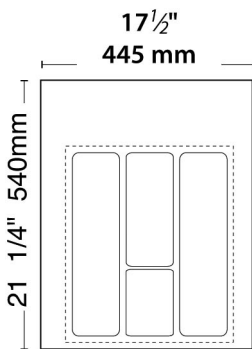
Min. Trim Size
8-5/8" x 17-3/4"

UT12



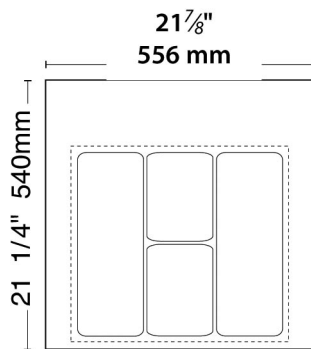
Min. Trim Size
11-5/8" x 17-3/4"

UT15



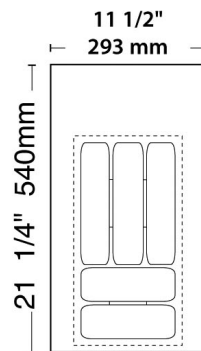
Min. Trim Size
14-3/4" x 17-3/4"

UT18



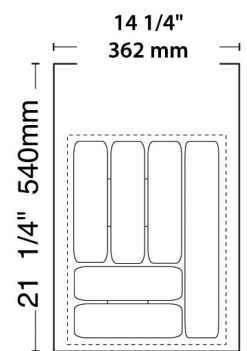
Min. Trim Size
18-3/8" x 17-3/4"

CT1



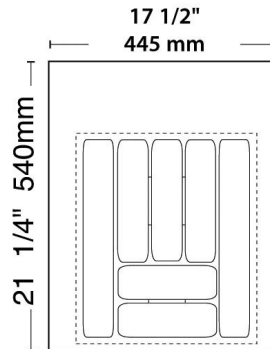
Min. Trim Size
8-5/8" x 17-3/4"

CT2



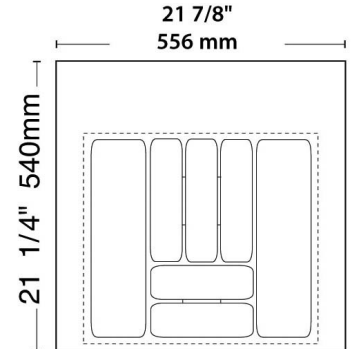
Min. Trim Size
11-5/8" x 17-3/4"

CT3



Min. Trim Size
14-3/4" x 17-3/4"

CT4



Min. Trim Size
18-3/8" x 17-3/4"

WHITE UTILITY TRAYS Height: 2-3/8"

Code	Max. Size	List/ea
UT10WH	11-1/2" W x 21-1/4" D	\$ 12.76
UT12WH	14-1/4" W x 21-1/4" D	13.99
UT15WH	17-1/2" W x 21-1/4" D	16.35
UT18WH	21-7/8" W x 21-1/4" D	23.64

WHITE CUTLERY TRAYS Height: 2-3/8"

Code	Max. Size	List/ea
CT1WH	11-1/2" W x 21-1/4" D	\$ 16.23
CT2WH	14-1/4" W x 21-1/4" D	21.13
CT3WH	17-1/2" W x 21-1/4" D	23.85
CT4WH	21-7/8" W x 21-1/4" D	27.22

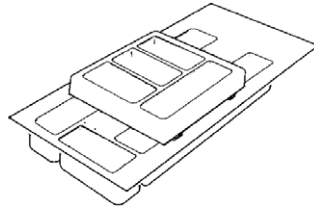
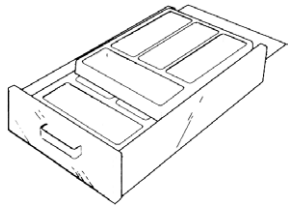
CUTLERY TRAYS



REV-A-SHELF ROLLING TRAY SYSTEM

Two-tier system includes deep utility tray and choice of full or half-size rolling cutlery top tray. Cutlery tray rolls on the lower tray track built into the utility tray. Fits cabinets from 12 to 24", drawers from 8-3/4 to 21-3/4" wide. Minimum drawer side height 2-1/2" (top of drawer bottom to top of drawer side). Trimmable for custom fit.

Thick-gauge polystyrene. For full depth cutlery tray system, a portion of the drawer back must be removed, however, the tray depth should not be trimmed. For half tray system, there is no need to modify the drawer back. Top rack dishwasher safe. High gloss white finish.



RT10



RT12



RT14



RT18

Full Tray System

Back of drawer box must be cut down to allow top tray to roll back.

Half Tray System

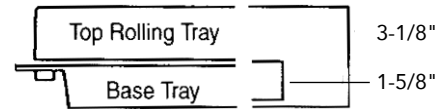
No need to modify drawer box. Cut to fit bottom tray to existing drawer dimensions.

Shallow Kits - (3-1/8" minimum opening clearance)

Code	Tray	Tray Size	Min. Trim	List/Kit
RT10-3F*	Full Depth	11-3/4" x 21-1/4"	8-3/4" x 21-1/4"	\$ 40.79
RT12-3F	Full Depth	14-1/2" x 21-1/4"	11-3/4" x 21-1/4"	47.06
RT12-3H*	Half Depth	14-1/2" x 21-1/4"	11-3/4" x 16-3/4"	38.71
RT14-3F	Full Depth	17-3/4" x 21-1/4"	14-3/4" x 21-1/4"	52.02
RT14-3H	Half Depth	17-3/4" x 21-1/4"	14-3/4" x 16-3/4"	45.58
RT18-3F	Full Depth	21-3/4" x 21-1/4"	17-3/4" x 21-1/4"	61.05
RT18-3H*	Half Depth	21-3/4" x 21-1/4"	17-3/4" x 16-3/4"	49.49

Shallow System

Requires 3-1/8" min. Clearance
Base tray is 1-5/8" Deep

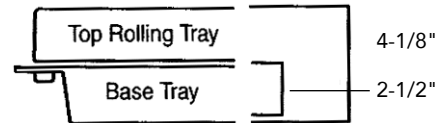


Deep Kits - (4-1/8" minimum opening clearance)

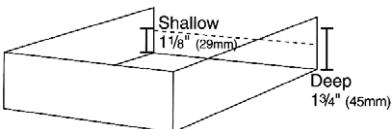
RT10-4F	Full Depth	11-3/4" x 21-1/4"	8-3/4" x 21-1/4"	\$ 41.24
RT12-4F	Full Depth	14-1/2" x 21-1/4"	11-3/4" x 21-1/4"	47.06
RT14-4F	Full Depth	17-3/4" x 21-1/4"	14-3/4" x 21-1/4"	52.02
RT14-4H	Half Depth	17-3/4" x 21-1/4"	14-3/4" x 16-3/4"	45.58
RT18-4F	Full Depth	21-3/4" x 21-1/4"	17-3/4" x 21-1/4"	61.05

Deep System

Requires 4-1/8" min. Clearance
Base tray is 2-7/16" Deep



Drawer Box Modification for (F) Full Tray System



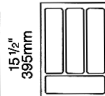
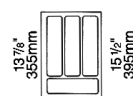
3-1/8" Shallow Kit:

Cut back panel of drawer box down to 1-1/8" (Inside Height)

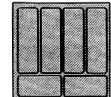
4-1/8" Deep Kit:

Cut back panel of drawer box down to 1-3/4" (Inside Height)

Rolling Full Trays



Base Utility Trays



Rolling Half Trays



RT10

RT12

RT14

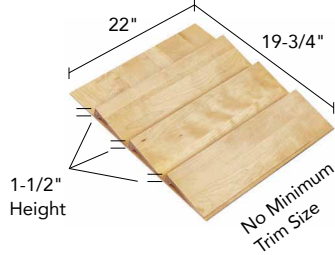
RT18

SPICE TRAYS

WOOD SPICE DRAWER INSERT



4SDI-24



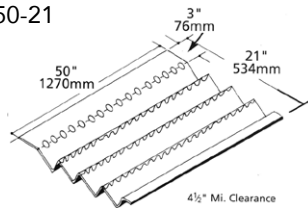
Made of maple hardwood with a UV-cured clear coat finish. Simple drop-in installation. Can be customized to fit various drawer sizes up to a Base 24".

Code	Dimensions	List/ea
4SDI-24	22" W x 19-3/4" D x 1-1/2" H	\$ 62.91

REV-A-SHELF SPICE TRAYS



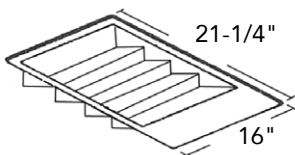
ST50-21



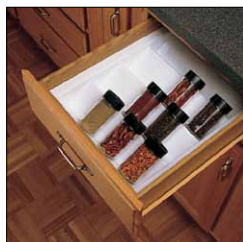
22" drawer slides are required to fully expose and access this tray. Minimum vertical clearance for use with standard 4" spice bottles is 3-1/2". High impact polystyrene is trimmable to any size.

Code	Description	List/ea
ST50-21WH	White Tray, 50" W x 21" D	\$ 59.57
ST50-21AL	Almond Tray, 50" W x 21" D	59.57

SPICE DRAWER INSERT



Min. Trim Size:
11-3/8" W x 15-1/2" D

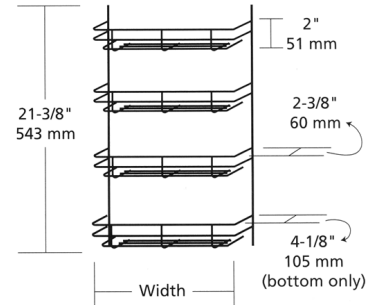


Code	Dimensions	List/ea
ST-2-GW-52	16" W x 21-1/4" D x 2-3/8" H	\$ 18.45

SPICE RACKS

DOOR MOUNT SPICE RACK

565 Series



Features 3 small tiers to hold spices and one larger tier that can accommodate canned goods. Heavy gauge wire construction - installs with just 4 screws. White in color.

Code	Dimensions	List/ea
565-10-52	10-5/8" W x 21-3/8" H	\$ 40.01

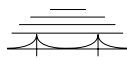
KV/FEENY SPICE RACK

These Spice Racks have four tiers to help organize spices, condiments, cans, etc. The bottom tier is 3-1/2" deep for items such as soup cans. Overall Depth: 4". Height: 21". White Finish.

Code	Width	List/ea
SR-12WH	7-3/4"	\$ 39.14
SR-15WH	10-3/4"	43.12
SR-18WH	13-3/4"	47.84



16

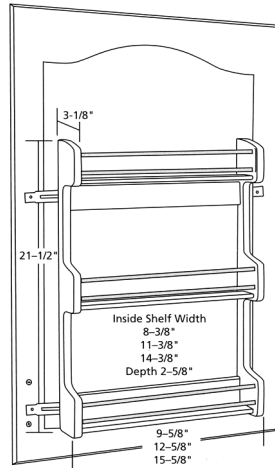


SPICE RACKS



DOOR MOUNT SPICE RACK

4SR Series



- Can house spice bottles up to 2-1/4" in diameter
- Installs with just four screws



Made of birch/maple hardwood with a UV-cured clear coat finish. Now with Chrome Rails and adjustable mounting brackets. Contains 3 shelves and screws. Height between racks: 8-5/8".

For 15" Wall Cabinet / Inside Rack: 8-3/8"W x 2-5/8"D

Code	Overall Dimensions	List/st
4SR-15	10-1/2"W x 3-1/8"D x 21-1/4"H	\$ 38.90

16 For 18" Wall Cabinet / Inside Rack: 11-3/8"W x 2-5/8"D

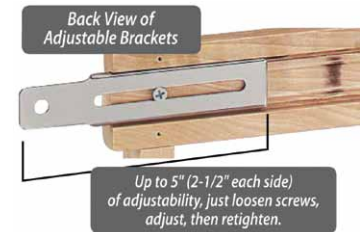
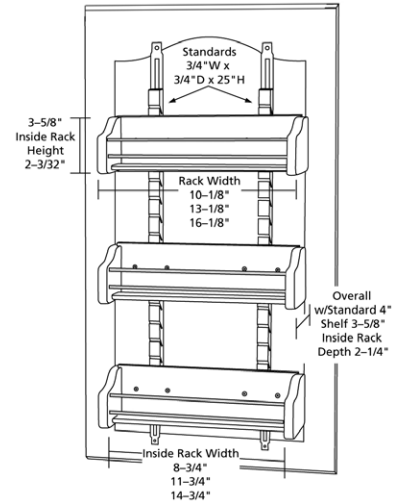
4SR-18	13-1/2"W x 3-1/8"D x 21-1/4"H	46.45
--------	-------------------------------	-------

For 21" Wall Cabinet / Inside Rack: 14-3/8"W x 2-5/8"D

4SR-21	16-1/2"W x 3-1/8"D x 21-1/4"H	54.61
--------	-------------------------------	-------

ADJUSTABLE DOOR MOUNT SPICE RACK

4ASR Series



Maple hardwood rack is available for Wall 15", 18" and 21" cabinets. Features adjustable shelves, UV-cured clear coat finish and shelf space to house spice bottles up to 2-1/4" diameter. Brackets offer up to an extra 5" of mounting adjustability and designed to extend mounting options to the thick portion of the door increasing installation flexibility. Installs with just four screws.

Each set contains 3 Shelves, 2 ea. 25" slotted standards and brackets, and screws.

For 15" Wall Cabinet / Inside Rack: 8-3/4"W x 2-1/4"D

Code	Overall Dimensions	List/st
4ASR-15	10-1/8" W x 4" D x 25" H	\$ 81.74

For 18" Wall Cabinet / Inside Rack: 11-3/4"W x 2-1/4"D

4ASR-18	13-1/8" W x 4" D x 25" H	109.19
---------	--------------------------	--------

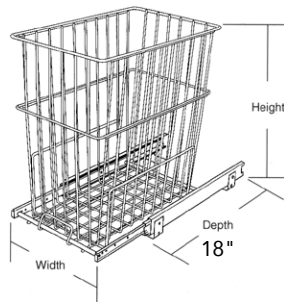
For 21" Wall Cabinet / Inside Rack: 14-3/4"W x 2-1/4"D

4ASR-21	16-1/8" W x 4" D x 25" H	129.41
---------	--------------------------	--------

HAMPERS

REV-A-SHELF PULL-OUT WIRE HAMPERS

HRV Series



Removable wire hamper with frame and full extension slides. Installs with just four screws. White finish. For door mount, order with RV-DM KIT.

All with 18" Depth.

Code	Width	Height	Min Opening	List
HRV1215S	11-7/8"	14-3/4"	12"	\$ 138.59
HRV1220S	11-7/8"	19-3/8"	12"	139.68
HRV1515S	14-3/4"	14-3/4"	15"	141.82
HRV1520S	14-3/4"	19-3/8"	15"	147.17

Chrome Wire Version

Furnished with Liner.
18" Depth.



HRV1520SCR

Code	Width	Height	Min Opening	List
HRV1520SCR	14-3/4"	19-3/8"	15"	\$ 121.25

Replacement Liners

Code	Description	List
HRV-1520-LINER	Liner for HRV Series Hamper	\$ 18.24

REV-A SHELF SLIDE-OUT POLYMER HAMPER

20" Depth For Vanity applications

1.5 Bushel (55.8 qt) capacity in this easily removable hamper. For door mount, order with RV-DM KIT.

Contains 1 polymer hamper with frame and full extension slides. Fully assembled.

14-1/4" W x 19-3/8" H x 20" D



Code	Description	List
HPRV-1520S	Slide-out Hamper	\$ 122.54

REV-A SHELF SLIDE-OUT POLYMER HAMPER

14" Depth For Closet applications

2.3 Bushel (63 qt) capacity in this easily removable hamper. Includes detachable lid. For door mount, order with RV-DM KIT.

Contains 1 polymer hamper with frame and full extension slides. Fully assembled.

19-7/8" W x 24" H x 14" D



Code	Description	List
HPRV1925S	Slide-out Hamper	\$ 155.51

KV/FEENY HAMPER ROLL-OUT

Basket pulls out for easy access. Clips easily to slide. Slides screw to cabinet floor. Basket snaps off the slides to remove. Depth: 18-3/4". White Finish.



Code	Height	Width*	List
H-12-18 WH	18-1/2"	11-3/4"	\$ 94.79
H-15-15 WH	14-1/4"	14-3/4"	102.49

* Deduct 3/4" for face-frame cabinets.

HAMPERS

TILT-OUT HAMPER BASKET
CTOHB Series



Door mount the basket to a bottom hinged cabinet for easy one step "Slide-In/Slide-Out" basket removal. Available in Chrome, Satin Nickel and Oil Rubbed Bronze. Durable 6.6 mm wire has a cap. of 55 qts for the 16" wide unit and 74 qts for the 21" wide unit. All models 13-1/2" D and 19-3/4" H.

Code	Width	Finish	List
CTOHB-161319-CR	15-1/2"	Chrome	\$ 65.18
CTOHB-211319-CR	20-1/2"	Chrome	73.41
CTOHB-161319-SN	15-1/2"	Satin Nickel	73.41
CTOHB-211319-SN	20-1/2"	Satin Nickel	81.67
CTOHB-161319-ORB	15-1/2"	Oil R Bronze	73.44
CTOHB-211319-ORB	20-1/2"	Oil R Bronze	81.62

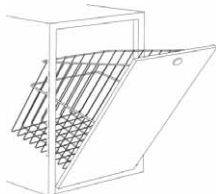
Removable Hamper Bags for CTOHB Baskets

Machine washable Black Cloth Liners. Designed to fit tight and securely with hook and loop fasteners. Strong handles for easy transport and removal.



Code	Description	List
CTOHB-16-I-1	Black Liner for 16" Basket	\$ 35.03
CTOHB-21-I-1	Black Liner for 21" Basket	39.74

KV/FEENY TILT-OUT HAMPER



Tilts out with one easy movement. Removable basket attaches easily to the frame of a bottom-hinged door. Depth: 18-3/4". White finish.

Code	Height	Width	List
TO-1710WH	17-3/4"	10-1/2"	\$ 57.94
TO-1713WH	17-3/4"	13-1/2"	62.55

WIRE HAMPER WITH SOFT-CLOSE SLIDES
CH Series



5CHB-LINER
(Sold Separately)

CH-241419-RM-217

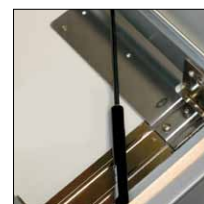
- Two removable wire baskets and machine washable cloth liners.
- Silver polymer base
- Bottom mount full extension slides
- Soft-Open/Soft Close Rev-A-Motion™ technology
- Simple four screw installation
- Includes door mount brackets



24" W x 13-15/16" D x 18-7/8" H

Code	Description	List
CH-241419-RM-217	Double Wire Hamper w/ 2 Canvas Liners	\$ 328.94
5CHB-LINER	Replacement Liners	12.26

BOTTOM MOUNT WOOD HAMPER
4WH Series



Rev-A-Motion slide system provides 7" of assisted opening and closing.

4WH-RM15DM1



This Soft Open/Soft Close hamper features built-in door mount brackets and a concealed 150 lb. slide. The gas spring assisted Soft-Open allows the unit to open smoothly, and the Soft-Close shuts it softly, even under the heaviest of loads. Maple base with a white hamper basket and lid. Ideal for vanities and closets.

Code	Dimensions	List
4WH-RM15DM1	14-1/4"W x 19-3/4"D x 21"H	\$ 303.67

HAMPERS

PULL-OUT CANVAS HAMPER

5190 Series



- Rev-A-Motion Soft-Open/Soft Close system
- 7" of assisted opening and closing
- Designed for base 18 vanity cabinets
- Easy installation with only 4 screws



Pull-out hamper features a brushed aluminum frame with Rev-A-Motion Soft-Open/Soft Close technology. Removable cloth bag and adjustable door mount brackets.

Dimensions:

14-5/16" W x 18-1/16" D x 19-11/32" H

<u>Code</u>	<u>Description</u>	<u>List</u>
5190-15RM-117	Cloth Hamper w/ Silver Tray	\$ 329.44

IRONING BOARDS

PULLOUT IRONING BOARD



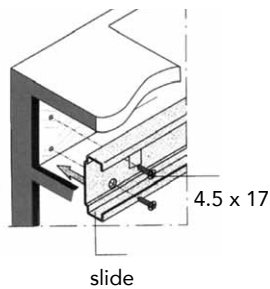
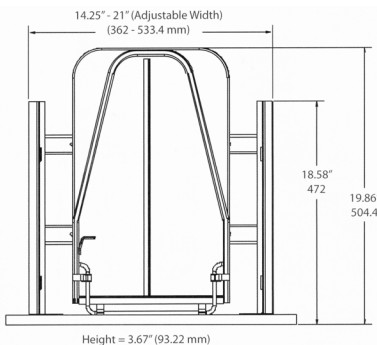
VIB-20CR



Expandable frame mounts easily in a drawer between cabinet sides from 14-1/4" to 21" wide and the fixed brackets allow for easy mounting of all standard drawer fronts. Features a chrome finish and a ball-bearing slide system that provides sufficient overtravel for maximum utilization. Simply open until the gravity lock engages, unfold board and you are ready to iron.

Height Clearance: 4"
 Min. Cab. Depth: 20-1/4"
 Min. Drawer Height: 4"
 Min. Cab. Opening: 14-1/4" to 21"
 Mounts in frame or frameless cabinets.
 Board Size: 12" W x 37-1/2" L

***Max Countertop Projection: 1-1/4"**



Code	Description	List/ea
VIB-20CR	Fold Out Ironing Board for Vanity Cabinets	\$ 224.41

FOLD OUT IRONING BOARD

CIB Series



CIB-16CR

The expandable frames of the CIB-16CR mount easily in a closet between panels or in a vanity drawer between cabinet sides from 14-1/4" to 21" wide. The fixed brackets allow for easy mounting of all standard drawer fronts. Ball-bearing slides provide over travel for maximum use. Open until the gravity lock engages, unfold board and you are ready to iron. Fits 16" depth.

Dimensions: 11.8" Width x 29.2" Length

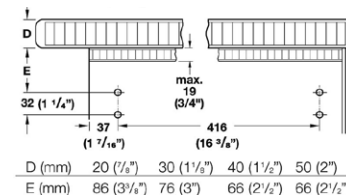
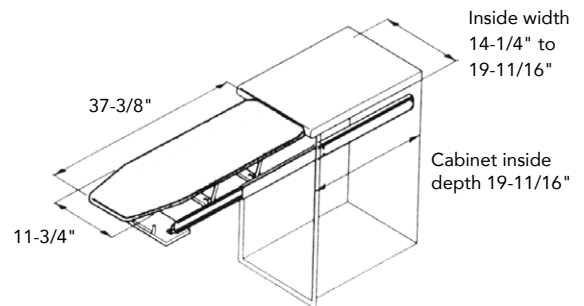
Code	Description	List/ea
CIB-16CR	Fold Out Ironing Board - Closet Model	\$ 167.36

BUILT-IN IRONING BOARD



Fits any drawer space and operates as simply as a drawer. Easy installation in all base cabinets with a drawer front. Sturdy steel construction with an epoxy coating. Screws, instructions and heat-resistant cover are included.

***Max Countertop Projection: 1-7/8"**



Use dimensions to match surface to countertop height

Code	Description	List/ea
568.60.710	Built-In Ironing Board	\$ 331.51

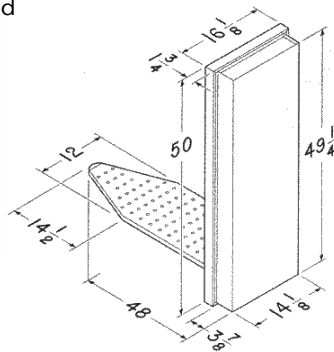
IRONING BOARDS

**NUTONE BUILT-IN
IRONING BOARD CENTERS**

AVD50N - Deluxe
AVD40N - Basic



Full-Sized
42" board



Wall Opening Req:
49-1/4"H x 14-1/8"W x 3-7/8"D

Ironing Board Centers cannot be shipped by UPS.

AVD50N Deluxe

Ironing Board: All metal construction, ventilated metal board. Board swivels 180° and has 3 height settings.

Storage: Has a hot iron storage shelf and an additional storage shelf.

Electrical: Silent timer, pilot light, built in light (40 watt) and built in outlet. Safety switch/Auto shutoff, UL and cUL Approved and Listed.

Wall Installation Choices: recess or surface mount. (Surface mount requires a collar, not included.)

Hardware: Magnetic catch. Door hinges (for left or right mounting)

AVD40N Basic - Non Electric

Ironing Board: All metal construction, ventilated metal board.

Storage: Has a hot iron storage shelf and an additional storage shelf.

Wall Installation Choices: Recess or surface mount. (Surface mount requires a collar, not included.)

Hardware: Magnetic catch. Door hinges (for left or right mounting).

Code	Description	List
AVD50N	Deluxe Ironing Ctr - No Door	\$ 719.58
AVD40N	Basic, Non-Electric - No Door	422.92

NUTONE IRONING CENTER DOORS
Must Be Ordered Separately



Raised Panel Door
Unfinished Oak or White



Flat Door
Unfinished Birch

AVDOFPN - Smooth unfinished birch wood door can be painted, stained or wallpapered.

AVDORPN - Traditional raised panel door in unfinished oak.

AVDWRPN - White raised panel door.

Code	Description	List
AVDOFPN	Birch Flat Panel Door	\$ 145
AVDORPN*	Oak Raised Panel	216
AVDWRPN*	White Raised Panel	186

Ironing Board Mounting Height Above Floor

Distance from Floor to Bottom of Cut Out	Working Height	
	AVD 40 Series	AVD50 Series
24"	30"	29"-31"-33"
28"	34"	33"-35"-37"
30"	36"	35"-37"-39"
32"	38"	37"-39"-41"

IRONING BOARDS

IRONAWAY IRONING CENTERS

All units have an interior finish of Antique White Semi-Gloss lacquer. All units include hot iron storage, ironing board cover and pad.



A46 ELECTRICAL UNIT

46" ventilated steel ironing board. Cabinet constructed of all natural hardwoods. Solid state timer monitors built-in light, appliance outlet, automatic shut-off when board is in upright position.

4" vertical adjustment on ironing board. Includes flat birch door.

Dimensions:

Outside: 15" W x 60-5/8" H x 6-7/8" D

Opening size for recess mounting:

14-1/4" W x 59-7/8" H x 3-7/8" D

<u>Code</u>	<u>Description</u>	<u>List</u>
A46BI	Ironing Center w/Flat Birch Door	\$ 837.93

E342 SWIVEL & ELECTRICAL

42" swivel ironing board. Side mounted swivel spotlight. Appliance outlet. Garment hook on door. Ideal unit for hallways or corner locations.

Dimensions:

Outside: 15" W x 47-7/8" H x 6-15/16" D.

Opening size for recessed mounting:

14-1/4" W x 47-1/8" H x 3-7/8" D.

<u>Code</u>	<u>Description</u>	<u>List</u>
E342BI	Swivel Ironing Center w/Flat Birch Door	\$ 792.15
E342ND	Swivel Ironing Center, No Door	746.36

IRONAWAY IRONING CENTER

Non-Electric, Built-In



NE342ND NON-ELECTRIC

Non-electric, built-in ironing center. 42" ventilated steel ironing board is fully assembled and ready for installation. Cabinet is constructed of hardwood Poplar.

Interior is Antique White semi-gloss lacquer and has hot iron storage, ironing board cover and pad. Installation hardware is included.

Dimensions: Outside 15" W x 47-7/8" H x 6-7/8" D.

Opening for recessed mounting:

14-1/4" W x 47-1/8" H x 3-7/8" D.

<u>Code</u>	<u>Description</u>	<u>List</u>
NE342BI	Non-Electric Ironing Center w/Flat Birch Door	\$ 413.51
NE342ND	Non-Electric Ironing Center, No Door	404.14

MOUNTING HEIGHT ABOVE FLOOR LEVEL			
Desired Board Height	Model A-46*	Model E-342 Swivel* NE-342 Swivel*	Models E-342 NE-342
36"	22"	28"	30"
35"	21"	27"	29"
34"	20"	26"	28"
33"	19"	25"	27"
32"	18"	24"	26"

Note: The user can adjust height of board after installation with a 4-inch differential between a maximum and minimum height. Figures under left column are for normal default positions.