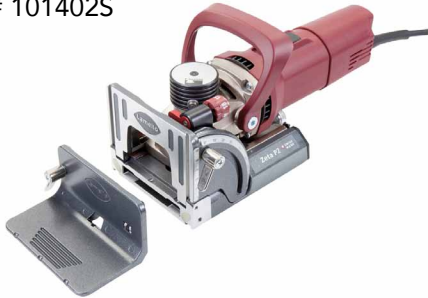




Zeta P2 for Biscuits and RTA fittings

Zeta P2  
# 101402S

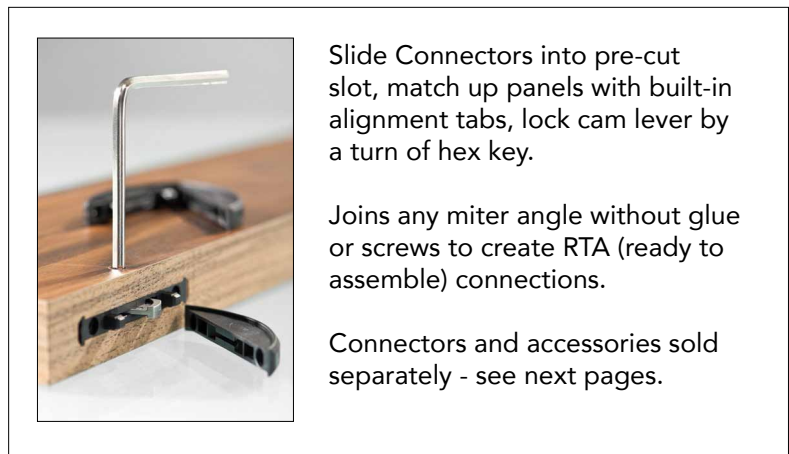
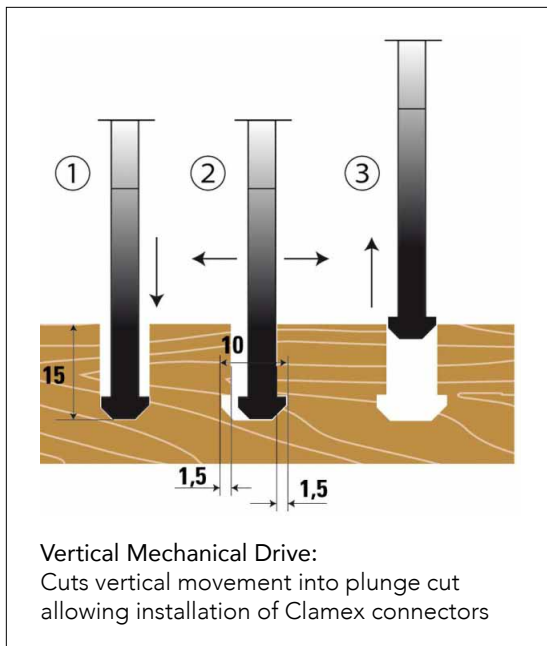


The Zeta P2 machine for the evolving P-System will save you time everyday! The P-System depth adjuster allows you to easily choose between five P-System depths. The cutter plunges into the preset depth, then follows a vertical movement up and down for the profile cut called the VMD Vertical Mechanical Drive, which can be simply switched off so that the Zeta P2 can be used as a standard biscuit joiner (Standard cutter is sold separately - #132000).

The vertical mechanical drive (VMD) is the core of the machine and the key to the Clamex P-14 and Clamex Medius connector system. Model 101402S comes with a carbide tipped profile groove cutter. Comes in a Systainer box.

- P-System Depths - Depth 14 is for Clamex P-14 and Tenso P-14, Depth 10 for Clamex P Medius
- Swivelling front stop and stop square are flush on both sides
- Large fence surfaces
- 800 watt motor with electronic control
- Rotating depth adjuster with 6 standard stops
- Base plate and fence is flush for side reference for fast positioning on edge of the work piece
- Pivoting trigger to switch off the VMD function to use as a standard biscuit joiner (please note that the standard cutter is sold separately)
- The quickest and most economical way to install knock down fittings

Code	Net
101402S	\$ 1550



See video at [macpac1.com/videos#lamello](http://macpac1.com/videos#lamello)



See Micro Depth Adjustment for Lamello Zeta P2 video at [MacMurrayPacific.com/videos#lamello2](http://MacMurrayPacific.com/videos#lamello2)



Sales Bulletin Update  
New Sizes & Items

## P2 System Connectors Use with Zeta P2



### Clamex P

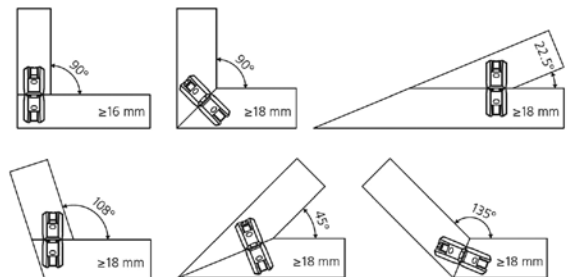
The Detachable, Eccentric Cam Connector slides into place--No Tools Required



- Fits into T-groove slot made with a Zeta P2 machine: Simply slide connectors in pre-cut slot, match up panels with built in alignment tabs, lock cam lever by a turn of a hex key.
- Joins any miter angle without glue or screws to create nearly invisible Ready To Assemble (RTA) connections.

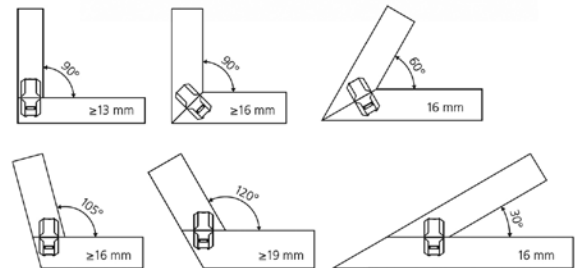
### Clamex P-14 - For Panels from 16mm 66 x 28 x 9.7mm

Code	Box	Net/Bx
145334	80 pr	\$ 130
145346	300 pr	445
145356	1000 pr	1325



### Clamex P-10 - For Panels from 13mm 52 x 19 x 9.7mm

Code	Box	Net/Bx
145372	80 pr	\$ 130
145373	300 pr	445
145374	1000 pr	1325



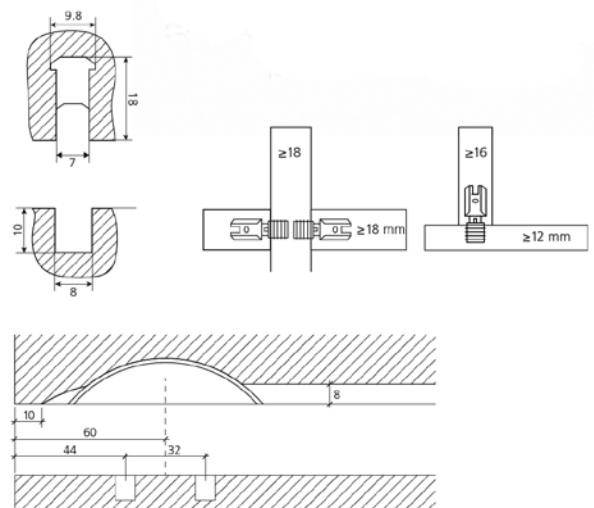
### Divario P-18

Self-clamping, invisible fitting for slide insertion. 65 x 16 x 9.7mm



- Completely invisible joint
- Joins and clamps during insertion for perfectly closed joints
- Narrow element for the use in shelves from 19mm
- No resistance while inserting until shortly before building the clamping force
- Insertion of shelves after transport for lower transport weight

Code	Box	Net/Bx
145550	80 pr	\$ 90
145560	300 pr	320





## P2 System Connectors *continued*

### Tenso P

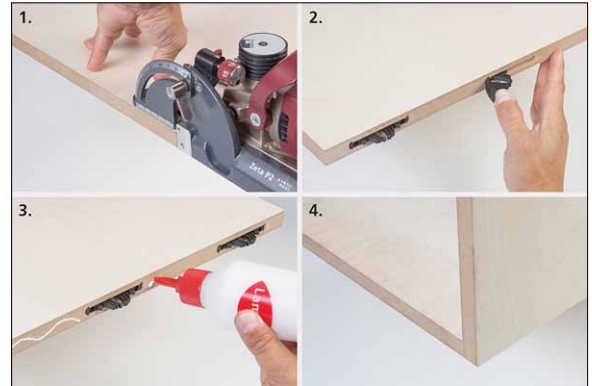
Glue FASTER: Invisible  
Self-Clamping Glue Aid



### Tenso P-14 - For Panels from 13mm

66 x 28 x 9.7mm

Code	Box	Net/Bx
145415	80 pr	\$ 75
145425	300 pr	255



### Tenso P-10 - For Panels from 12mm

52 x 19 x 9.7mm

Code	Box	Net/Bx
145418	80 pr	\$ 95
145438	1000 pr	910



The Tenso P is a self-clamping fitting with three functions: alignment, clamping and connecting. The high clamping force allows work pieces to be glued without clamps or pressure. Anchors the work piece in just seconds, without tools.

### Bisco

Alignment aid for Clamex & Tenso P



### Bisco P-15/14

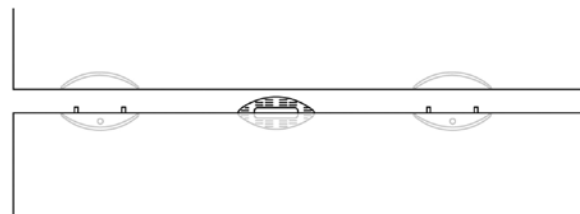
65 x 27 x 7mm

Code	Box	Net/Bx
145301	80 ea	\$ 39
145302	300 ea	100

### Bisco P-10

52 x 19 x 7mm

145304	80 ea	\$ 42
--------	-------	-------



Bisco P is an alignment element that is part of the Clamex & Tenso P system. It is easily installed using the Zeta P2 or CNC as it fits easily into the P-system groove without changing the cutter.

Bisco P-15/14/10 is 7mm thick, made of thick plastic and used in combination with Clamex P & Tenso P. The element is not only used for alignment of panels but can be used for glueing, and increasing shear strength.



**P2 System Connectors**  
*continued*

Sales Bulletin Update  
**New Sizes & Items**

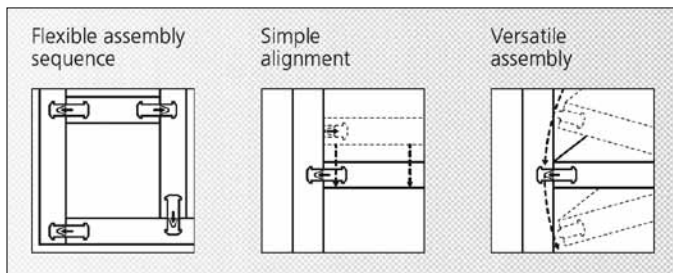
**Clamex Flexus P-14**

Detachable furniture connector  
with flexible positioning pins

Clamex P-14 Flexus is a detachable connection fitting based on the P-System anchorage and is connected via a lever. Clamex P-14 Flexus therefore offers all the existing advantages of the P-System. These include quick, tool-free installation, lateral tolerance, twist prevention and stackability. What distinguishes the Clamex P-14 Flexus from the Clamex P-14, are the flexible positioning pins.



- Flexible assembly sequence – Flexible positioning pins allow freely selectable assembly sequence
- Simple alignment – Flexible positioning pins align the workpiece and keep it in position
- Versatile assembly – Bevelled and movable positioning pins enable the tilting of the workpiece in both directions
- Installation of fixed shelves – Fixed shelves or vertical separators can be installed in an assembled cabinet unit
- Compatible with all Clamex P connector halves without levers – P-14 without lever, P-10 without lever and P-10 Medius without lever



Code	Box	Net/Bx
145315	80 pr	\$ 130
145316	300 pr	445



Scan Here  
for Video on





Sales Bulletin Update  
New Accessories

## Accessories for Zeta P2 System

### Carbide Cutters



Clamex P Carbide Cutter.  
Replacement T-Groove  
cutter for Zeta P2.  
100 x 7 x 22mm.

#132141                      Net \$ 149.80



Tenso P-10/14 Expansion Clip  
Assembly Device.

#145400                      Net \$ 7.00



This 6 Tooth Carbide Cutter is  
the blade for the Zeta P2 - when  
you want to use it as a cutter for  
standard biscuits (20LA).

#132000                      Net \$ 110.00



Preload clip allows the Tenso  
P-14 to be preloaded by hand in  
a simple process before glue is  
applied. 300/Bx, sold per box.

#145426                      Net/Bx \$ 55.00



4mm Hex Key for all  
Clamex connectors.

#271945                      Net \$ 1.26



Lamello Divario P-18 Installation  
Tool (Required for fixing the Divario  
in the workpiece).

#125500                      Net \$ 89.00



Lamello Divario Marking Jig Kit.  
Including drill with centering point  
and rotatable depth adjuster for  
manual, precise drilling of Divario  
drill holes.

#125510                      Net \$ 140.00